

## MODEL ODD-300



Optional  
Light



### HIGHLIGHTS

- Ventilating fan should be ceiling or wall mounted and capable of exhausting air quietly and efficiently
- It comes with DC motor for lowest energy consumption and long lasting reliability
- It holds an ETL evaluation

### SPECIFICATIONS

Model	ODD-300	
Static Pressure in inches w.g.	0.1	0.25
Air Volume (CFM)	290	268
Noise (sones)	3.8	4.0
Fan Watts	52W	
Duct Diameter	6"	
Power Rating (V/Hz)	120/60	

- **Housing Size:** 11-3/8" x 10-1/2" x 7-5/8" (289 mm x 267 mm x 194 mm)
- **Grille Dimensions:** 13" x 14" (330 mm x 356 mm)

### HOUSING

- Made of rugged 26 GA galvanized steel
- Detachable 6 inch polymeric resin collar which includes a light weight built-in back draft damper
- Double hanger bar mounting brackets that are adjustable up to 24 inch span allows for ideal positioning

### MOTOR / BLOWER

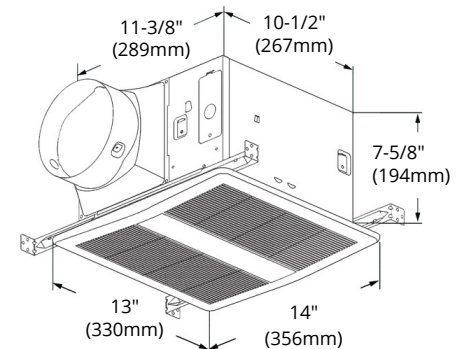
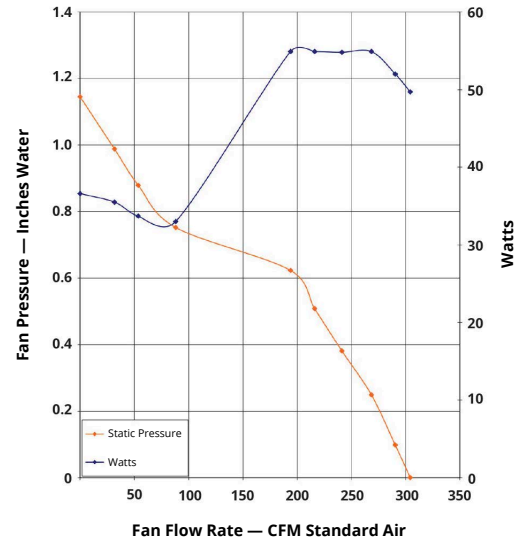
- Total enclosed brushless DC motor for continuous operation
- The motor is energy efficient for continuous duty operation
- Power rating should be 120V and 60Hz
- Fan shall be ETL and cETL listed for tub/shower enclosure when used with a GFCI branch circuit
- Motor comes with a built-in overload disconnect for safety and longer motor life
- Our universal series operates at lower RPM's to give you quieter operation
- Polymeric resin blower

### GRILLE

- The Premium grille is low profile that has elegance and still able to maintain its simplicity
- Made of a rugged polymeric resin that is known for its long life durability
- Comes with torsion spring clips that helps mount grille evenly

### TYPICAL SPECIFICATIONS

- Ceiling ventilator shall have corrosion resistance galvanized steel housing with 4 point mounting capability
- It shall be ducted to a roof vent or wall cap using 6 inch round pipe
- Blower assembly shall be removable, have a centrifugal type blower wheel and permanently lubricated motor designed for continuous operation
- ORTECH ventilators come with DC motor which improves efficiency



es it r ecti e  
car ar c er  
Warra t is i e i t e  
car ar isre e a t i e  
uri c structi

Reference	QTY.	Remarks	Project:
			Location:
			Architect:
			Engineer:
			Contractor:
			Submitted by:
			Date: