



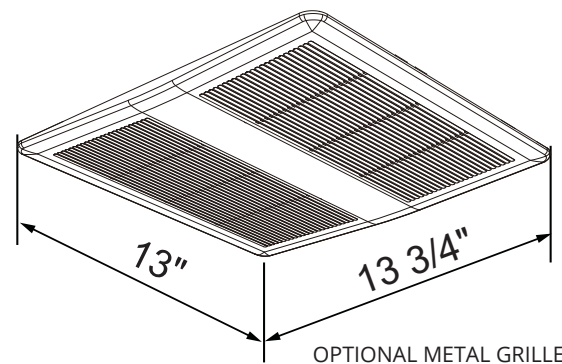
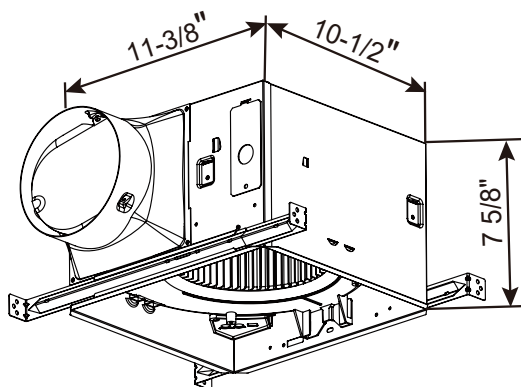
HIGHLIGHTS

- Three speeds ceiling mounted fan that's designed to operate continuously and quietly.
- It is also ETL and cETL certified to comply with ASHRAE 62.2 whole house fan to meet the minimum ventilation required by local building codes.
- Three speeds EC motor fan with low energy consumption.
- Wall mount speed controller switch for CFM adjustment.
- CFM select setting for high speed (200CFM-250CFM-300CFM)
- QUIET operates at lower rpm to ensure low sone levels.
- Power rating 120 volts and 60 Hz.

SPECIFICATIONS

Model	ODD-300-3					
Static Pressure	0.1	0.25	0.1	0.25	0.1	0.25
Air Volume (CFM)	200	173	250	217	300	270
Noise (sones)	2.0	N/A	3.0	N/A	0.4	N/A
Fan Watts	25.2W		39W		52W	
Duct Diameter	6"					
Power Rating (V/Hz)	120/60					

DIMENSIONS



HOUSING

- Made of rugged 26 gauge galvanized steel.
- Detachable 6 inch collar which include a lightweight built in back draft damper.
- Heavy duty 4 point mounting bracket adjustable up to 24 inches from centre.



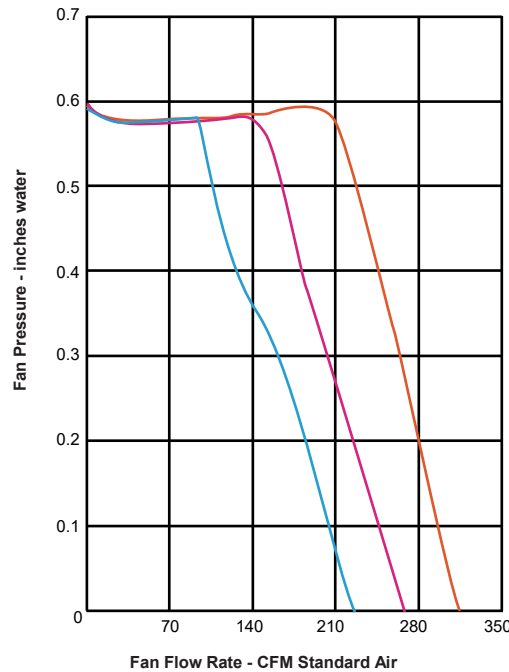
GRILLE

- Made of a rugged polymeric resin that's known for it's durability.
- Premium grille offers low profile with elegance and simplicity.
- Comes with torsion spring clips for easy installation.

Switch position			
Airflow (CFM)	200	250	300

TESTING REPORT

- HVI Certified performance based on HVI Procedures 915, 916, and 920.



- Other airflow reference performance based on HVI Procedures 915, 916, and 920.



Comes with protective cardboard cover

Warranty is voided if the cardboard is removed anytime during construction.

Reference	QTY.	Remarks	Project:
			Location:
			Architect:
			Engineer:
			Contractor:
			Submitted by:
			Date:

ORTECH reserves the right to modify at any time, without notice, any or all of our product's features, designs, components and specifications to meet market changes.