



Optional
LED Light Grille



HIGHLIGHTS

- Low speed (30 CFM) is optional
- Built-in delay up to 30 minutes timer
- ETL evaluated and conforms to UL and cUL safety standards
- Low speed runs continuously (adjustable from 30 CFM to max CFM)
- Very quiet three speeds DC motor fan for ceiling or wall mounted hold

SPECIFICATIONS

Model	ODDSS-100-3					
Static Pressure in inches .w.g.	0.1	0.25	0.1	0.25	0.1	0.25
Air Volume (CFM)	50	50	80	80	100	100
Noise (sones)	0.8	N/A	1.0	N/A	1.5	N/A
Fan Watts	3.7W	6.5W	6.7W	10W	10.2W	14.4W
Duct Diameter	4"					
Power Rating (V/Hz)	120/60					

- **Housing Size:**
10-1/4" x 10-1/4" x 3-3/8"
(260 mm x 260 mm x 86 mm)
- **Grille Dimensions:**
13-3/4" x 13"
(349 mm x 330 mm)

HOUSING

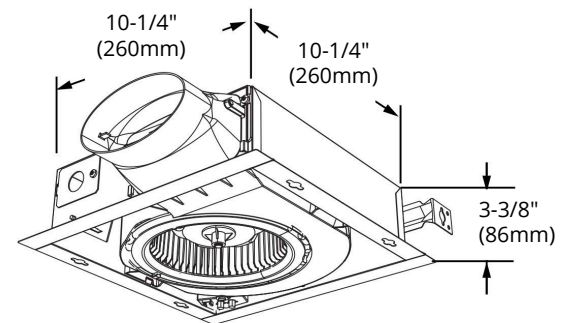
- Made of rugged 26 GA galvanized steel
- Detachable 4" polymeric collar which includes a light weight built-in back draft damper

MOTOR / BLOWER

- Power rating should be 120 volts and 60 Hz
- Comes with built-in overload disconnect for safety and longer motor life
- Totally enclosed brushless DC motor technology designed to operate continuously

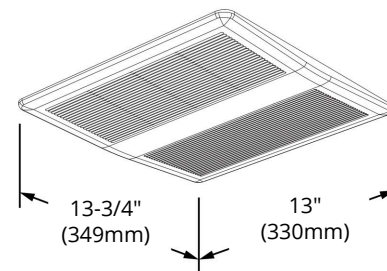
GRILLE

- The grille is low profile that has elegance and still able to maintain its simplicity

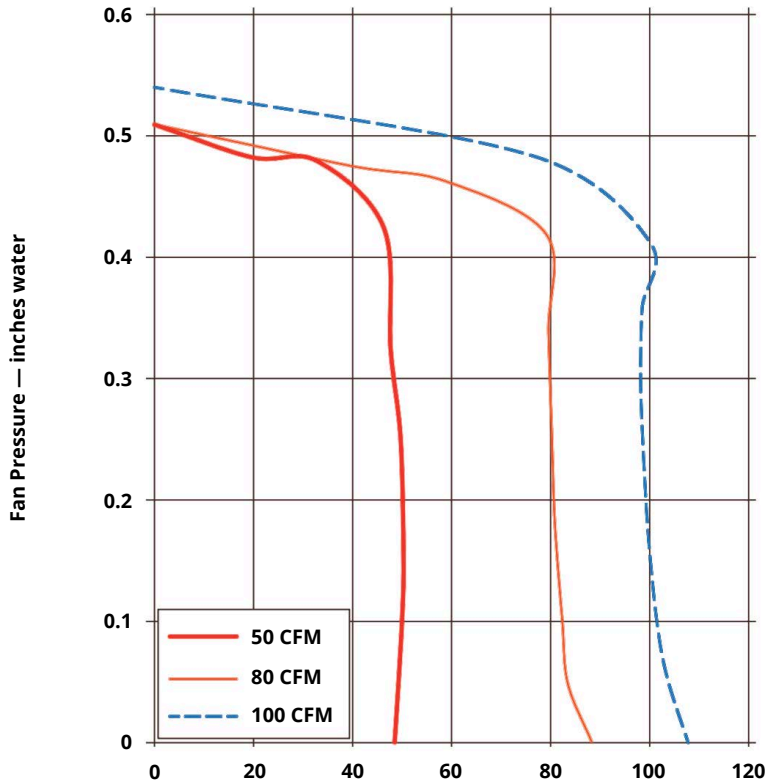


TYPICAL SPECIFICATIONS

- Ceiling ventilator shall have corrosion resistance galvanized steel
- Built-in toggle switch for high speeds (50 CFM / 80 CFM / 100 CFM) selection
- Includes an attachable non-metallic collar with built-in back draft damper
- Blower assembly shall be removable, have a centrifugal type blower wheel and a permanently lubricated motor designed for continuous operation
- Ultra Silent
- High Performance
- Attractive Design Grille
- Moves air quietly, efficiently and economically



FAN CURVE GRAPH



Comes with protective cardboard cover

Warranty is voided if the cardboard is removed anytime during construction.

Fan Flow Rate — CFM Standard Air

ODDSS-100-3

	Model	Static Pressure (SP)									
			0.546 SP	0.471 SP	0.418 SP	0.374 SP	0.301 SP	0.249 SP	0.179 SP	0.098 SP	0.068 SP
100 CFM	ODDSS-100-3	0.00 CFM	76.1 CFM	101.0 CFM	110.8 CFM	106.4 CFM	106.5 CFM	106.7 CFM	104.7 CFM	103.7 CFM	106.7 CFM
	Model	Static Pressure (SP)									
			0.547 SP	0.493 SP	0.451 SP	0.394 SP	0.324 SP	0.248 SP	0.188 SP	0.097 SP	0.063 SP
80 CFM	ODDSS-100-3	0.00 CFM	52.4 CFM	86.2 CFM	83.7 CFM	83.5 CFM	84.9 CFM	82.7 CFM	82.9 CFM	86.4 CFM	85 CFM
	Model	Static Pressure (SP)									
			0.51 SP	0.492 SP	0.433 SP	0.358 SP	0.295 SP	0.253 SP	0.190 SP	0.103 SP	0.057 SP
50 CFM	ODDSS-100-3	0.00 CFM	55.9 CFM	57.3 CFM	55.0 CFM	55.4 CFM	58.9 CFM	54.0 CFM	54.6 CFM	56.2 CFM	53.5 CFM

Reference	QTY.	Remarks	Project:
			Location:
			Architect:
			Engineer:
			Contractor:
			Submitted by:
			Date:

ORTECH reserves the right to modify at any time, without notice, any or all of our product's features, designs, components and specifications to meet market changes.