



Optional
LED Light Grille

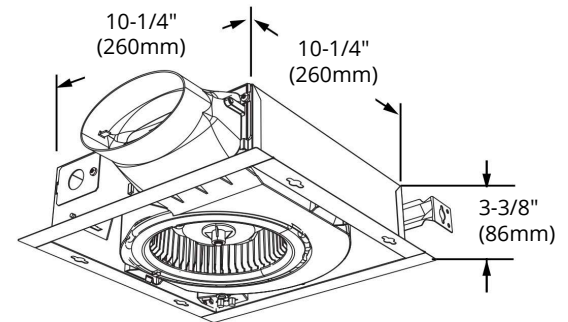


HIGHLIGHTS

- Low speed (30 CFM) is optional
- Comes with a built-in humidity sensor
- ETL evaluated and conforms to UL and cUL safety standards
- Low speed runs continuously (adjustable from 30 CFM to max CFM)
- Very quiet two speeds DC motor fan for ceiling or wall mounted hold

SPECIFICATIONS

- **Housing Size:** 10-1/4" x 10-1/4" x 3-3/8" (260 mm x 260 mm x 86 mm)
- **Grille Dimensions:** 13-3/4" x 13" (349 mm x 330 mm)



HOUSING

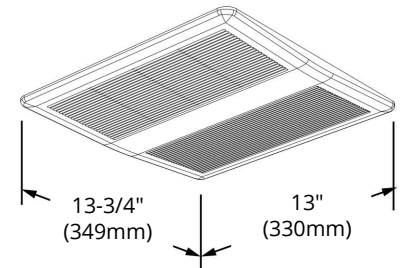
- Made of rugged 26 GA galvanized steel
- Detachable 4" polymeric collar which includes a light weight built-in back draft damper

MOTOR / BLOWER

- Power rating should be 120 volts and 60 Hz
- Comes with built-in overload disconnect for safety and longer motor life
- Totally enclosed brushless DC motor technology designed to operate continuously

GRILLE

- The grille is low profile that has elegance and still able to maintain its simplicity

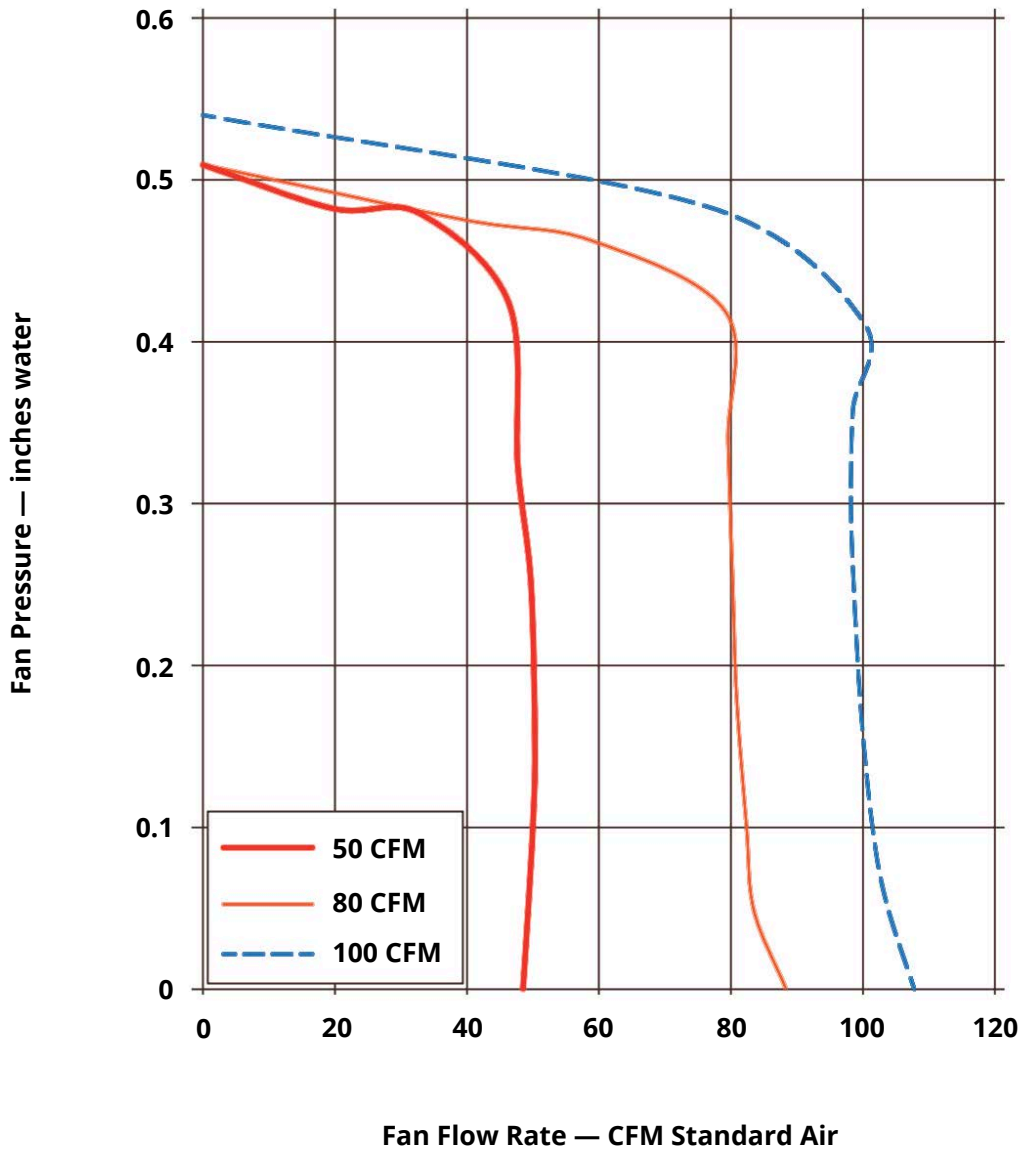


TYPICAL SPECIFICATIONS

- Ceiling ventilator shall have corrosion resistance galvanized steel
- Continuous adjustable low speed operation allows accurate CFM selection
- Built-in toggle switch for high speeds (50 CFM / 80 CFM / 100 CFM) selection
- Includes an attachable non-metallic collar with built-in back draft damper
- The humidity-sensing fan uses a sophisticated humidity sensor that responds to:
 - a) rapid to moderate (user-adjustable) increases in humidity OR
 - b) humidity above a user-adjustable set point (30-80% relative humidity)The humidity sensor may occasionally turn the fan ON when environmental conditions change. If the fan continuously responds to changing environmental conditions "H" (means "humidity") adjustment may be required. This figure is factory-set for about 75% (ambient temperature of 25)
- Blower assembly shall be removable, have a centrifugal type blower wheel and a permanently lubricated motor designed for continuous operation

- Ultra Silent
- High Performance
- With Humidity Sensor
- Attractive Design Grille
- Moves air quietly, efficiently and economically

FAN CURVE GRAPH



ODDSS-100-3HS

Reference	QTY.	Remarks	Project:
			Location:
			Architect:
			Engineer:
			Contractor:
			Submitted by:
			Date:

ORTECH reserves the right to modify at any time, without notice, any or all of our product's features, designs, components and specifications to meet market changes.