

## LED SECURITY LIGHTS

### SL2-5CCT

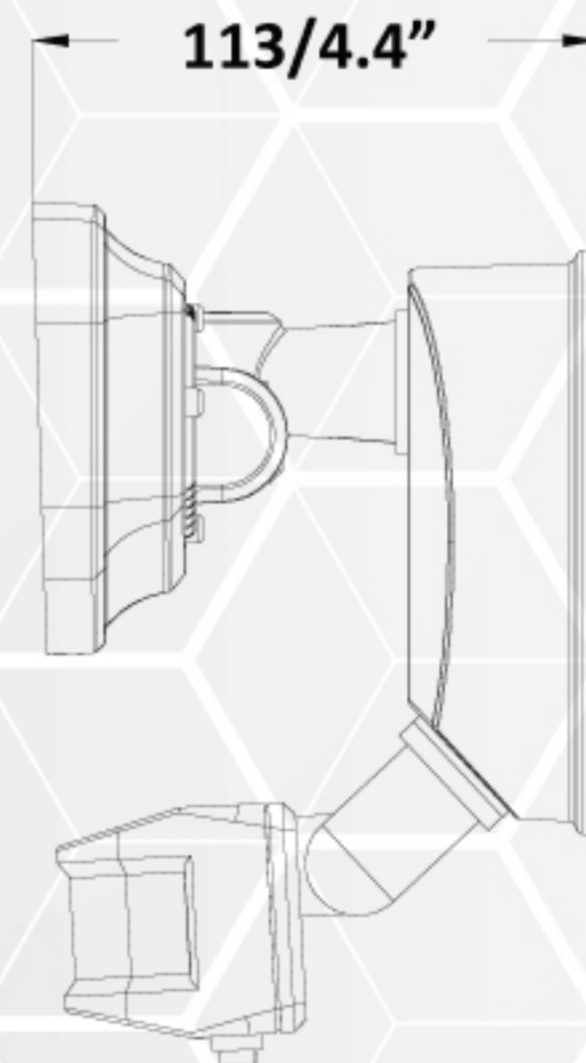
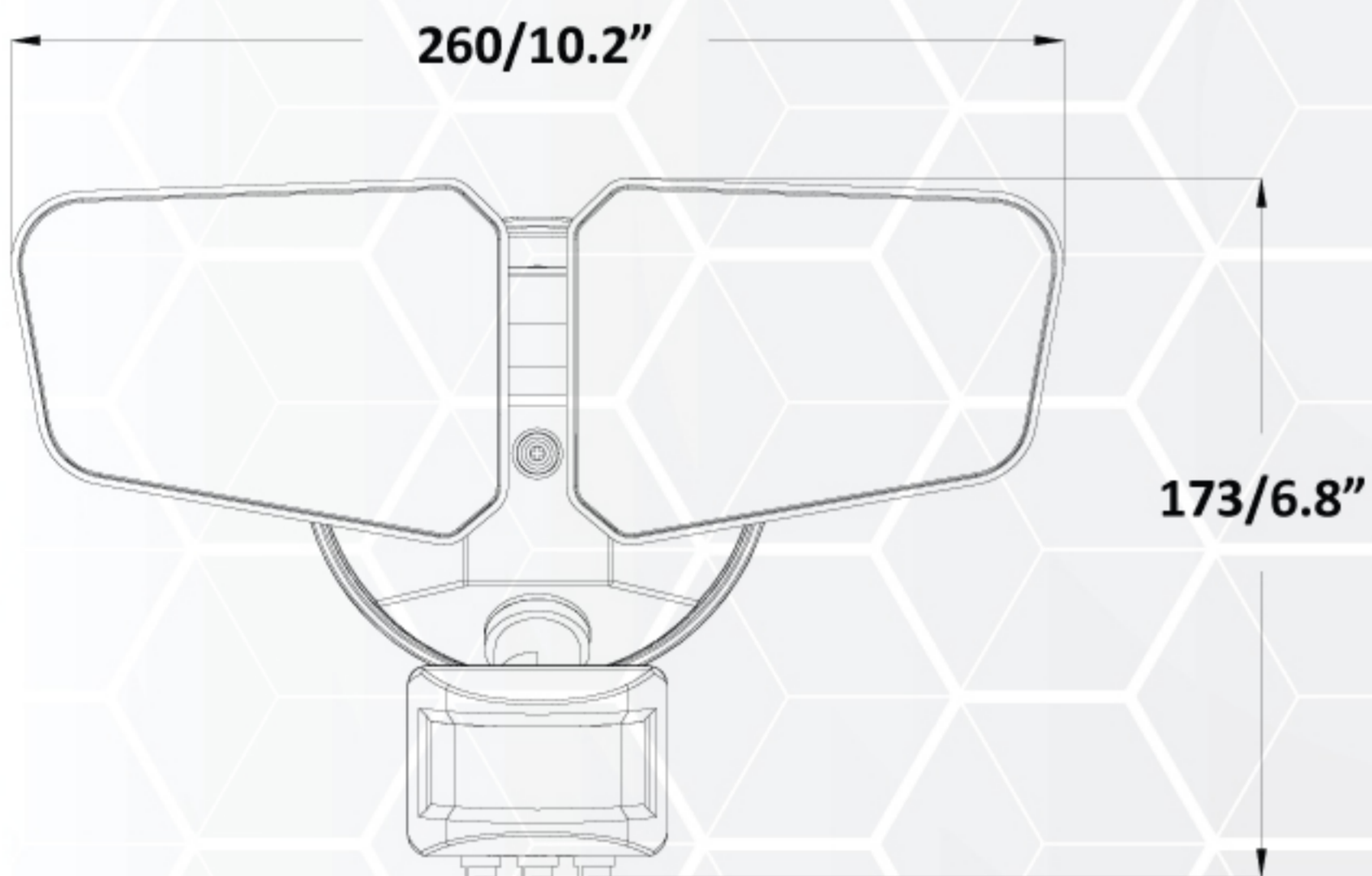
### HIGHLIGHTS

The new generation security light comes with 5CCT & Built-in motion sensor



- High lumens output up to 2120LM
- Up to 60FT detection distance
- 180° detection angle
- Built-in motion sensor and D2D function
- Detection distance, LUX and Time are adjustable
- Lamp heads have a side-to-side(150°) and up and down(180°) movement
- 50000 hours lifetime



### DIMENSIONS



### AVAILABLE FINISHES

-  White  
SL2-5CCT-WH
-  Black  
SL2-5CCT-BK

### SPECIFICATIONS

Model	SL2-5CCT
Wattage	20W
Voltage	AC120V, 60Hz
Lumens	2700K - 1975 Lm   3000K - 2080 Lm   3500K - 2090 Lm   4000K - 2100 Lm   5000K - 2120 Lm
Beam Angle	100°
Lifetime	50000 hours
Dimmable	No
Rating	Wet locations
Grade of Protection	IP65
CRI	>80
Colour Temp.	2700K / 3000K / 3500K / 4000K / 5000K
Application	Entryways / Front porch / Backyard / Sheds / Decks / Walkways / Fences
Operating Temp.	-20°C ~ +45°C



## LED SECURITY LIGHTS

SL2-5CCT

### INSTALLATION



### STANDARD MOTION SENSOR & D2D

A PIR sensor can detect changes in the amount of infrared radiation impinging upon the movement of people, animals, or other objects, also can identify when dusk has fallen, which prompts the lights to turn on.

#### D2D MODE

Only the light sensor is working. The lights will turn on completely at night and the lights will auto shut off completely during the day, fixture will not be affected by activity or motion.

#### ON TIME MODE

The fixture works as a normal light fixture; without light sensor or motion sensor.

#### AUTO MODE (H/M/L & LUX & TIME)

- The light sensor and motion sensor work together.
- If ambient light is lower than the setting lux and human movement is detected, the lights will turn on completely, the lights will shut off completely if human left the detection area after the hold time, the detection distance and hold time can be adjusted.
- If ambient light is brighter than the setting lux, the lights will shut off completely, the detection distance and hold time settings will be invalid.

\*Remark: "D2D": Dusk to Dawn, "L": Low Sensitive, "M": Middle Sensitive, "H": High Sensitive, "-": Lowest LUX, "+": Highest LUX, "S": Second, "M": Minute\*



Reference	QTY.	Remarks	Project:
			Location:
			Architect:
			Engineer:
			Contractor:
			Submitted by:
			Date:

ORTECH reserves the right to modify at any time, without notice, any or all of our product's features, designs, components and specifications to meet market changes.