

MODEL OD-SB4-100W | OD-SB4-150W



WARNING

WARNING — THE INSTALLATION MUST BE CARRIED OUT BY A QUALIFIED ELECTRICIAN.

1. LED Shoe Boxes are suitable for using in wet locations
2. Please keep the LED Shoe Boxes away from any corrosive substance, and please use dry or wet cloth when you clean it
3. LED Shoe Boxes can only be installed by a qualified electrician
4. Before installation or maintenance, please disconnect the power to prevent electric shock

Application Notice

1. Do not exceed using the standard working voltage: 100-347V AC, 50/60Hz
2. Be sure the power supply is turned off before installation
3. Switch off power of the mains supply or the connection lead respectively before doing any works
4. Please note waterproof, dustproof, electricity prevention and shockproof for the external power wires
5. Directly fix bolts on the installation stem through the hole on the mounting bracket
6. Be sure the connection between the wires is in good condition when installing the lamps, beware of leakage

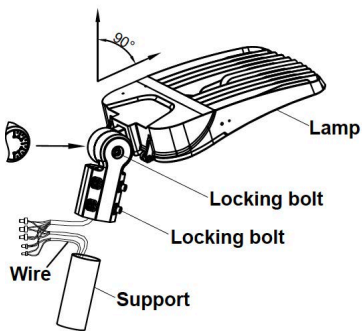
CAUTION

PLEASE READ INSTRUCTION BEFORE COMMENCING INSTALLATION AND RETAIN FOR FUTURE REFERENCES.

Electrical products can cause death or injury, or damage to property.

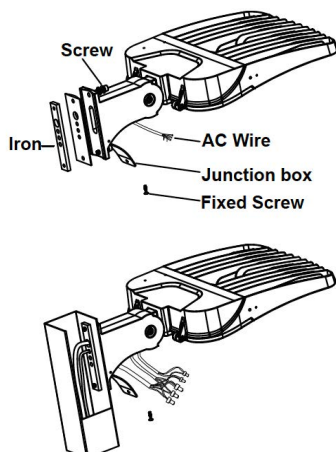
If in any doubt about the installation or use of this product, consult a competent electrician.

INSTALLATION GUIDE



TYPE A (Slip-fitter)

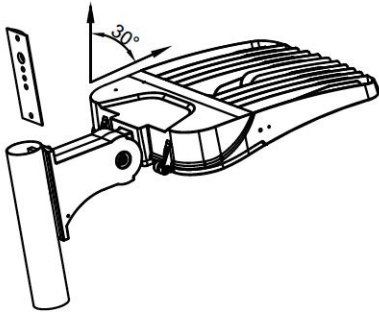
1. Loosen the 4 screws on the lamp holder
2. Connect the wires correctly and put the wires into the lamp pole
3. Lock the screws well to fix the lamp on the lamp pole
4. Loosen the locking bolt with tools
5. Rotate the lamp and lock the screw after determining required angle
6. Locking bolt can be only compatible with a lamp pole that the outer diameter is $\varnothing 60$,
7. lamp adjustable angle is 0-90°



TYPE B part 1 (Square/Round pole mount with slip-fitter function)

1. Use tools to take screw apart and put installed iron bar away
2. Remove fixed screw
3. Open junction box, then pass the AC wire through it
4. Use tools to fix the lamp on square lamp pole
5. Connect the wires correctly
6. Make waterproof measures well
7. Close the junction box and finish installation

INSTALLATION GUIDE



TYPE B part 2 (Square/Round pole mount with slip-fitter function)

- * Remove the rubber mat when the lamp is installed on round lamp pole
- * Lamp adjustable angle is 0-30°

TYPE C (Square/Round pole mount)

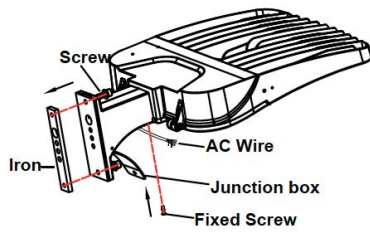


Fig.1

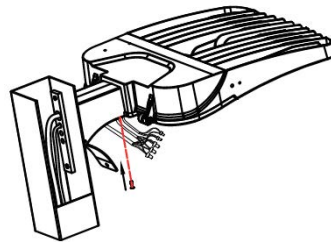


Fig.2

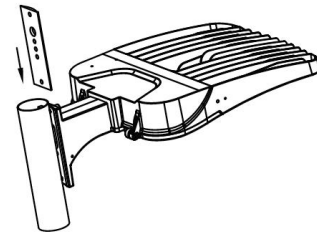


Fig.3

For Type C Description 1-3, see Fig.1

1. Use tools to take screw apart and put installed iron bar away
2. Remove fixed screw
3. Open junction box, then pass the AC wire through it

For Type C Description *, see Fig.3

- * Remove the rubber mat when the lamp is installed on round lamp pole

For Type C Description 4-7, see Fig.2

4. Use tools to fix the lamp on square lamp pole
5. Connect the wires correctly
6. Make waterproof measures well
7. Close the junction box and finish installation

TYPE D part 1 (Trunnion)

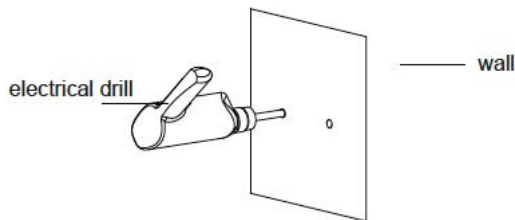


Fig.4

For Type D part 1 Description 1-2, see Fig.4

1. Mark the position of the fixing holes with flood light bracket
2. Drill the fixing holes

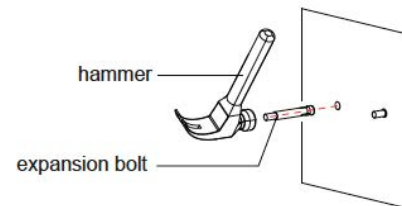
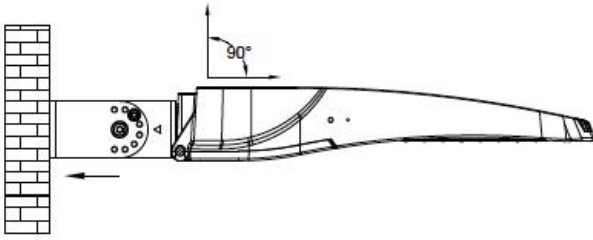


Fig.5

For Type D part 1 Description 3, see Fig.5

3. Input two expansion bolts

INSTALLATION GUIDE



TYPE D part 2 (Trunnion)

4. Waterproof measures must be taken after connecting the wire correctly
5. Install the lamp well after putting the wires back into the trunking

* Lamp adjustable angle is 0-90°

TYPE E (Yoke)

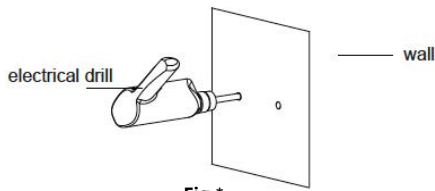


Fig.*

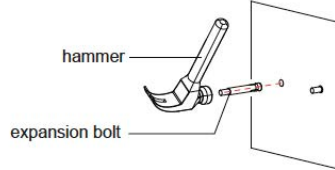


Fig.+

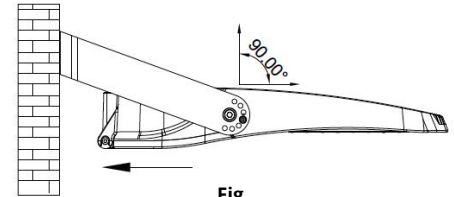


Fig.,

For Type E Description 1-2, see Fig.*

1. Mark the position of the fixing holes with flood light bracket
2. Drill the fixing holes

For Type E Description 4-5 and *, see Fig.,

4. Waterproof measures must be taken after connecting the wire correctly
5. Install the lamp well after putting the wires back into the trunking

* Lamp adjustable angle is 0-90°

For Type E Description 3, see Fig.+

3. Input two expansion bolts

TYPE F

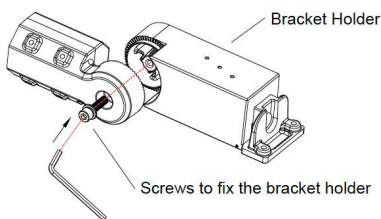


Fig.9

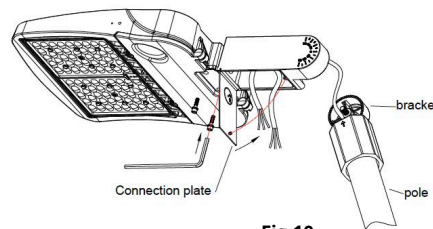


Fig.10

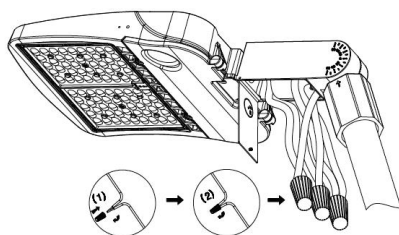


Fig.11

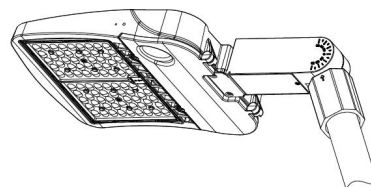


Fig.12

For Type F Description 1-3, see Fig.9

1. Use a wrench to loosen the fixing screws on the bracket
2. Remove the bracket
3. Use a screwdriver to remove the bracket wiring cover screws

For Type F Description 4-5, see Fig.10

4. Fix the AC cable through the bracket to lock it on the lamp body
5. Fix the bracket on the pole after passing the AC wire through the bracket

For Type F Description 6-7, see Fig.11

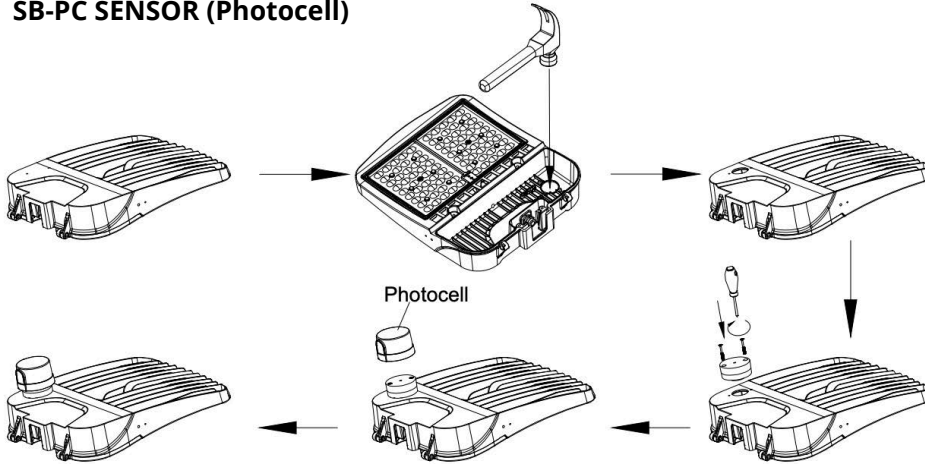
6. Assembling the lamp body of the holder with the bracket, and lock the bracket fixing screws
7. Connect the wires according to the schematic diagram and also make waterproof treatment

For Type F Description 8, see Fig.12

8. Lock the bracket wiring cover plate to complete the installation

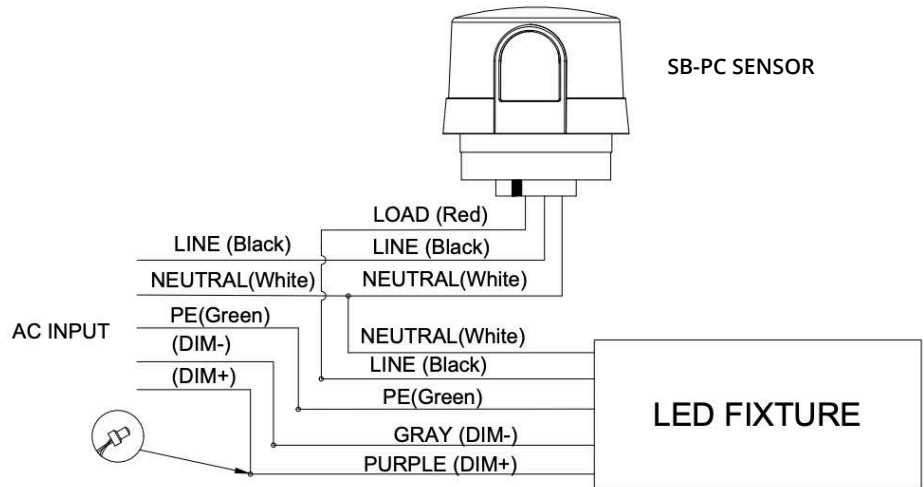
INSTALLATION GUIDE

SB-PC SENSOR (Photocell)

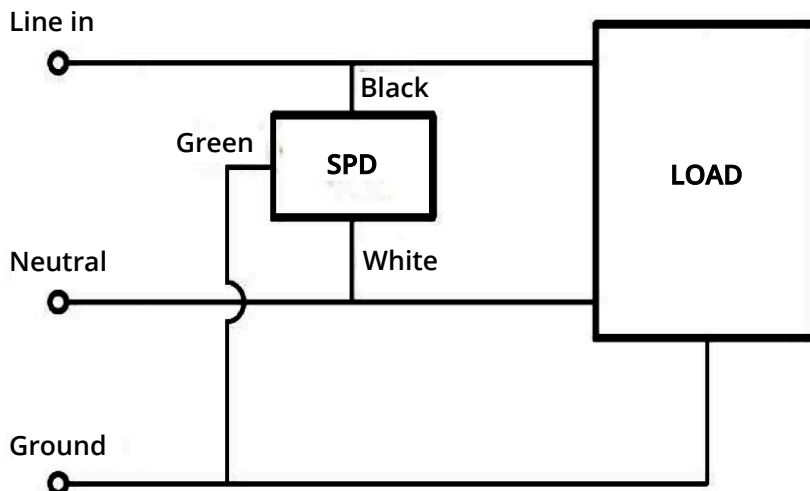


1. Knock the sensing hole on the lamp with a hammer
2. Use a screwdriver to tighten the screw to fix the socket base and waterproof rubber ring on the lamp
3. Screw photocell (SB-PC SENSOR) into socket base as shown in the diagram on the left

SB-PC SENSOR
Wiring Diagram



SB-ARRESTER



Connect wire as shown in the wiring diagram on the left and put it inside the fixture