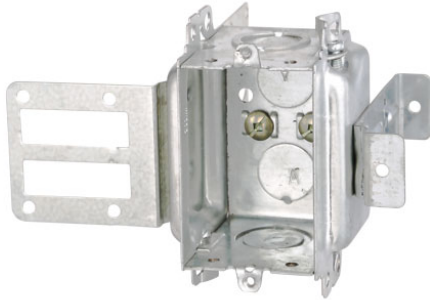


MODEL BOX 3104-KSSX



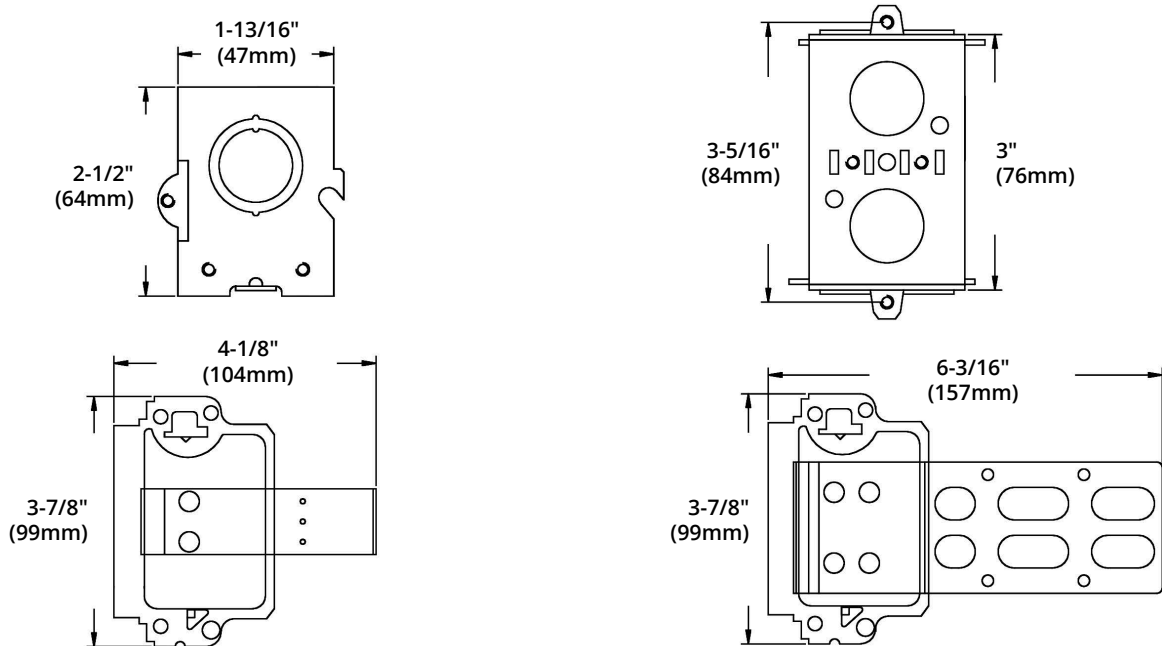
HIGHLIGHTS

- Gangable Electrical Device Box with AC90 / NMD cable clamps, wraparound bracket and integral support bracket
- Wraparound Bracket for 2-1/2" and 3-5/8" steel studs
- Can be used to support a device into the wall
- Assemble sides for more stability
- With concentric knockouts

SPECIFICATIONS

Model	3104-KSSX
Application	New work
Material	Galvanized Steel
Box Type	Steel Stud Wall
Construction Type	Assemble
Cover Included	None
Knockout Options	4 pry outs

DIMENSIONS



ORTECH reserves the right to modify at any time, without notice, any or all of our product's features, designs, components and specifications to meet market changes.

Reference	QTY.	Remarks	Project:
			Location:
			Architect:
			Engineer:
			Contractor:
			Submitted by:
			Date: