

Switches

MODEL 8350T



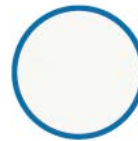
HIGHLIGHTS

- 50A 4 wires range receptacle
- Suitable for copper wires **ONLY**

SPECIFICATIONS

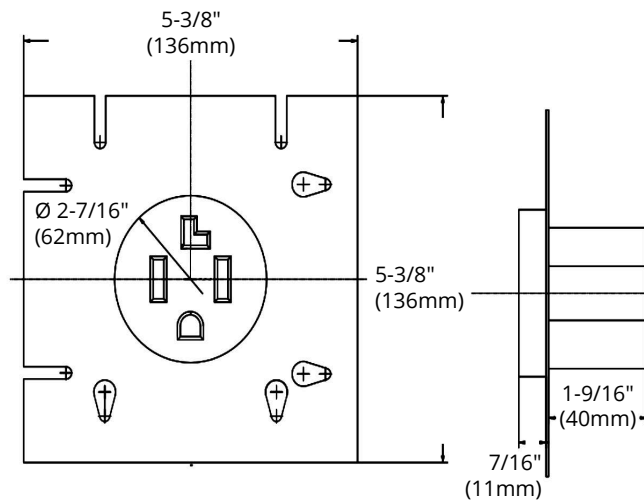
| | |
|-----------------|---------------|
| Model | 8350T |
| Voltage | 125-250V AC |
| Amps | 50A |
| Base / Cover | Polycarbonate |
| Power Contacts | Brass |
| Terminal Screws | Plated steel |
| Frame | Polycarbonate |
| Flammability | UL 94V-2 |
| Operating Temp. | -40°C ~ +65°C |

Colour Availability:



White

DIMENSIONS



| Reference | QTY. | Remarks | Project: |
|-----------|------|---------|---------------|
| | | | Location: |
| | | | Architect: |
| | | | Engineer: |
| | | | Contractor: |
| | | | Submitted by: |
| | | | Date: |

ORTECH reserves the right to modify at any time, without notice, any or all of our product's features, designs, components and specifications to meet market changes.