



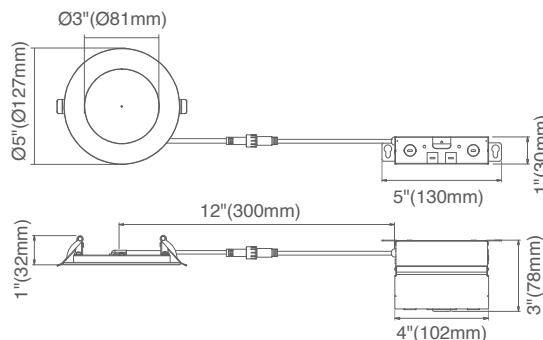
HIGHLIGHTS

- Reinforced and heat resistant steel casting providing 2-hour fire rating
- 4" LED Fire Rated Recessed Downlight - with Adjustable CCT
- Residential / Commercial grade driver included
- Triac Dimmable, Certified airtight, IC rated
- Tested & Certified to comply with UL 263-2011(R2022) & ASTM E119-20 & CAN/ULC-S101-14
- Five years warranty

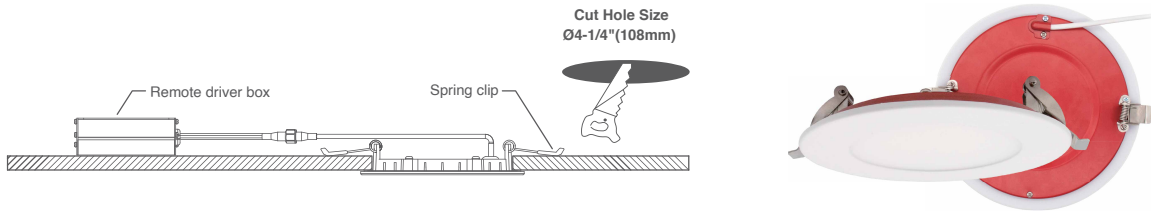
SPECIFICATIONS

| | |
|---------------------|--|
| Model | SLIM4FR-5CCT |
| Wattage | 12W |
| Voltage | 120V AC |
| Dimmable | Yes |
| Light Output | 800 lmn |
| Power Factor | >0.9 |
| Application | Recessed ceiling / Balcony / Overhanging eaves |
| CRI | 80Ra |
| Location | Wet Location |
| Grade Of Protection | IP54 |
| Beam Angle | 120° |
| Colour Temp. | 2700K / 3000K / 3500K / 4000K / 5000K |
| Operating Temp. | -20°C~40°C |

DIMENSIONS



INSTALLATION



ACCESSORIES (SOLD SEPARATELY)

DECORATIVE TRIMS



SLIM4-RING BK
 (Black Ring)



SLIM4-RING SN
 (Satin Nickel Ring)

MOUNTING PLATES



PLATE 26-4A



PLATE 4A-HB

| Reference | QTY. | Remarks | Project: |
|-----------|------|---------|---------------|
| | | | Location: |
| | | | Architect: |
| | | | Engineer: |
| | | | Contractor: |
| | | | Submitted by: |
| | | | Date: |

ORTECH reserves the right to modify at any time, without notice, any or all of our product's features, designs, components and specifications to meet market changes.