

### MODEL PUK 021-3W



### WARNING

**WARNING — THE INSTALLATION MUST BE CARRIED OUT BY A QUALIFIED ELECTRICIAN.**

1. LED Puk Lights are for INDOOR USE ONLY
2. Please keep the LED Puk Lights away from any corrosive substance, and please use dry cloth when you clean it
3. LED Puk Lights can only be installed by a qualified electrician
4. Before installation or maintenance, please disconnect the power to prevent electric shock

### Application Notice

1. Before installation, cut off the power supply at the electrical panel

### CAUTION

**PLEASE READ INSTRUCTION BEFORE COMMENCING INSTALLATION AND RETAIN FOR FUTURE REFERENCES.**

**Electrical products can cause death or injury, or damage to property.**

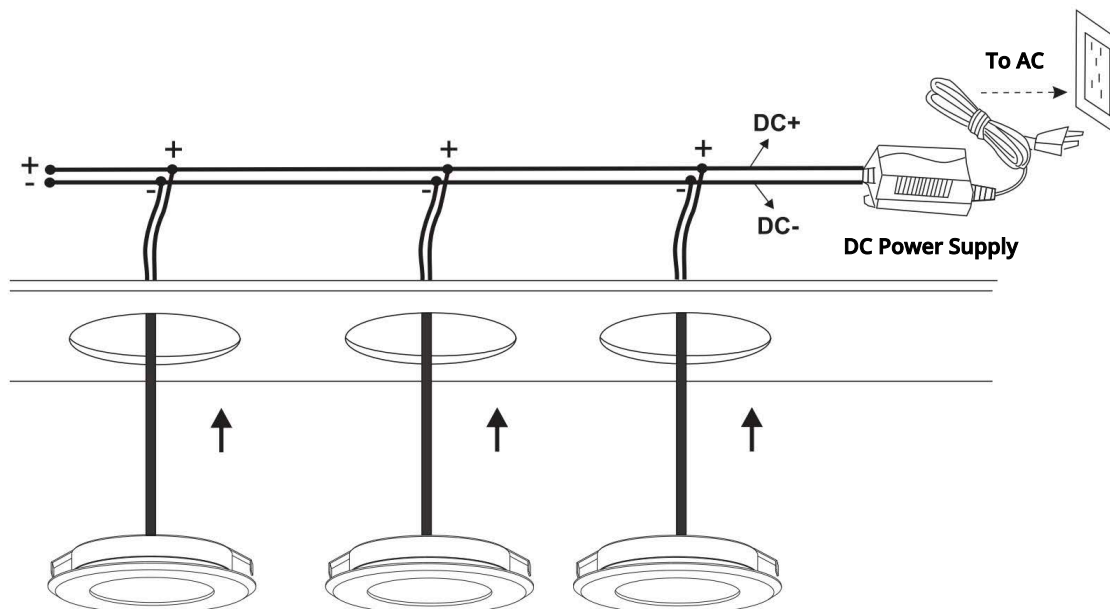
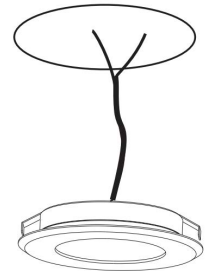
**If in any doubt about the installation or use of this product, consult a competent electrician.**

### INSTALLATION GUIDE

1. Cut a 2-1/3"(59 mm) hole in the suitable position.
2. Connect the wires on the light to the power supply, red wire to positive wire, black wire to the negative wire.
3. Insert the puk light into the cut hole. Once assembly is complete, turn the power on to ensure the fixture is operating properly.

#### Recessed Mounting

Diameter of hole  
2-1/3"  
(59 mm)



ORTECH reserves the right to modify at any time, without notice, any or all of our product's features, designs, components and specifications to meet market changes.