

Rangehood Fans

MODEL OD-6091 | OD-6092

Product Specification Sheet



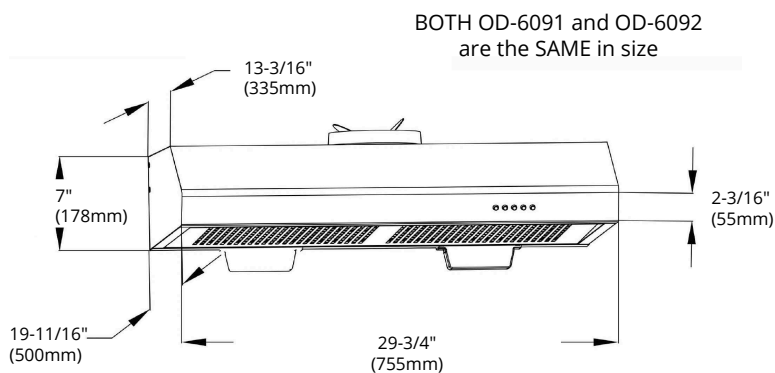
HIGHLIGHTS

- Wall or ceiling mount with ducted ventilation
- Duct size: 6 inches
- OD-6091 is a 275 CFM 90W (fan) & 180W (motor) 120V AC 3 speed single motor rangehood fan
- OD-6092 is a 390 CFM 180W (fan) & 210W (motor) 120V AC 3 speed double motor rangehood fan

SPECIFICATIONS

Model	OD-6091	OD-6092
Wattage	90W Fan 180W Motor	180W Fan 210W Motor
Voltage	120V AC	120V AC
Material	Stainless steel	Stainless steel
Airflow	275CFM @ 0.1"SP	390CFM @ 0.1"SP
No. of Motor	Single	Double
No. of Speed	3 speed	3 speed
Control	Built-in push button	Built-in push button
Warranty	1 year	1 year

DIMENSIONS



Available in following colours

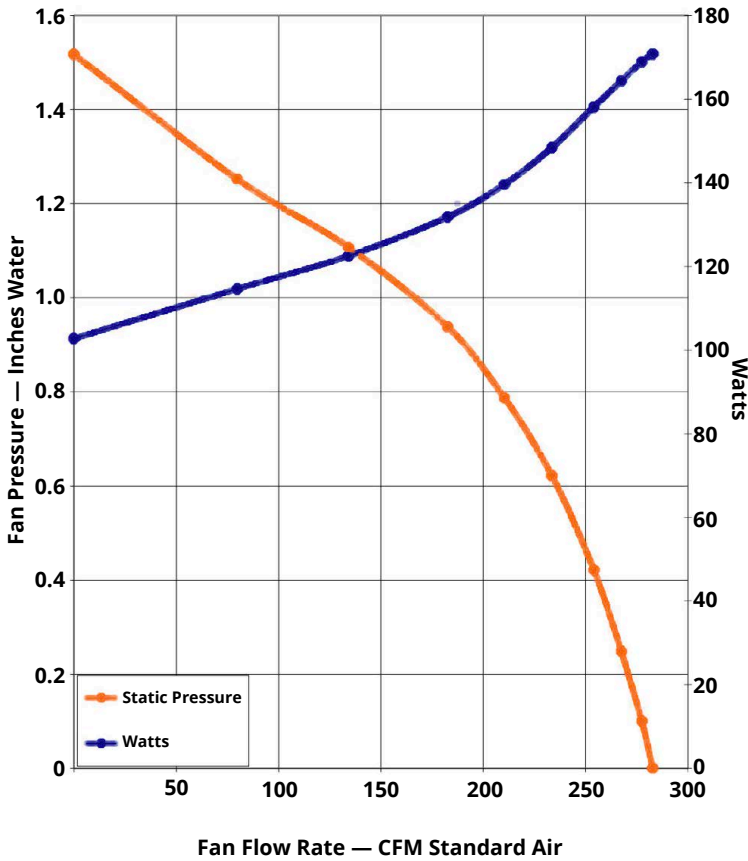
White
OD-6091 WH
OD-6092 WH



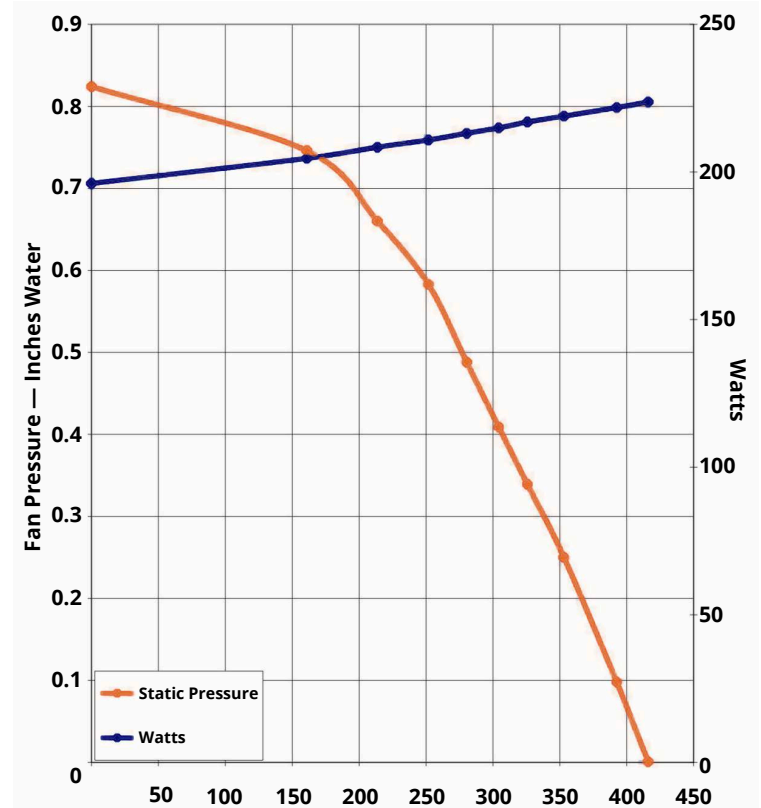
Satin Nickel
OD-6091 SN
OD-6092 SN



FAN CURVE GRAPHS



OD-6091



OD-6092

Reference	QTY.	Remarks	Project:
			Location:
			Architect:
			Engineer:
			Contractor:
			Submitted by:
			Date:

ORTECH reserves the right to modify at any time, without notice, any or all of our product's features, designs, components and specifications to meet market changes.