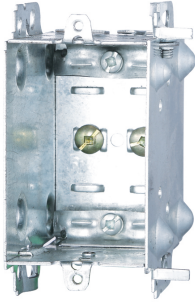


MODEL BOX 1104-LH



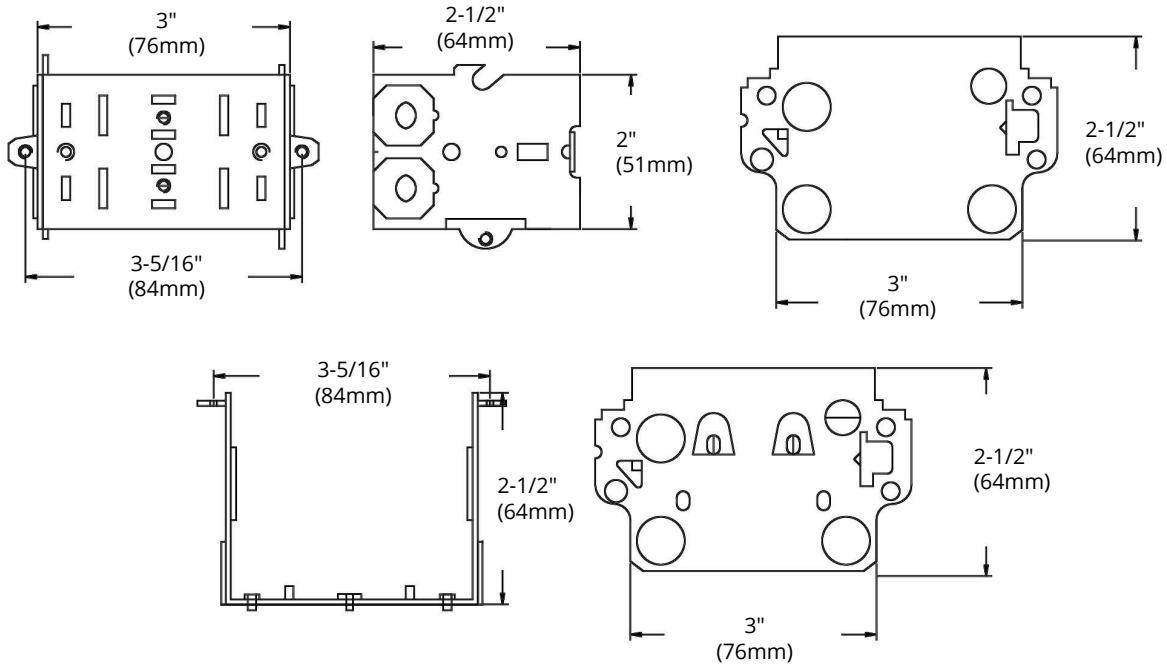
HIGHLIGHTS

- 3" x 2" x 2-1/2"
- Gangable device box with cable clamps

SPECIFICATIONS

| | |
|-------------------|---------------------|
| Model | BOX 1104-LH |
| Application | New work |
| Material | Galvanized steel |
| Box Type | Gangable device box |
| Construction Type | Assemble |
| Cover Included | No |
| Knockout Options | No |

DIMENSIONS



| Reference | QTY. | Remarks | Project: |
|-----------|------|---------|---------------|
| | | | Location: |
| | | | Architect: |
| | | | Engineer: |
| | | | Contractor: |
| | | | Submitted by: |
| | | | Date: |

ORTECH reserves the right to modify at any time, without notice, any or all of our product's features, designs, components and specifications to meet market changes.