

ELECTRIC FIREPLACE

FP-SS-42 | FP-SS-50 | FP-SS-60 | FP-SS-72

WARNING

WARNING — THE INSTALLATION MUST BE CARRIED OUT BY A QUALIFIED ELECTRICIAN.

- **Risk of Fire** — keep combustible material away from the top of heater. Servicing should be done only while the heater is unplugged from power supply.
- **NEVER** locate this electric fireplace where it may fall into a bathtub or other water container.
- **DO NOT** remove back cover of heater as no user serviceable parts are contained within.
- To prevent contact with sagging or loose insulation, the electric fireplace **MUST NOT** be installed against a vapour barrier or exposed insulation. Localized overheating could occur and fire could result.
- Due to high temperature, this electric fireplace should be located out of traffic. Keep combustible materials such as furniture, pillows, bedding, papers, clothes and curtains at least 36" away from the top of the heater.



APPLICATION NOTICE

- Prior to plugging your heater into a power outlet, first verify if the circuit breaker for the outlet is **ON**.
- The flame effect on the wall hanging fireplace is created by LED surface mounted components that are designed to last the life of the product.
- This heater is hot when in use. To avoid burns, **DO NOT** let bare skin touch hot surfaces. If provided, use handle when moving this heater.
- **DO NOT** operate any heater with damaged cord or plug or after the heater has malfunctioned or has been dropped or damaged in any manner. Return the heater to an authorized service facility for repair if any one of these incidents occur to the heater.
- This heater is not intended for use in bathrooms, laundry areas and similar indoor locations. Never locate heaters where it may fall into a bathtub or other containers that have water in them.
- Avoid the use of an extension cord because the extension cord may overheat and there is a risk of fire.
- Connect to properly grounded outlet only. Otherwise it may break fused and polarized outlets. Always unplug the heater when not in use.
- **DO NOT** insert or allow foreign objects to enter any ventilation or exhaust opening as this may cause an electric shock or fire, or even damage the heater.
- This heater has hot and arcing or sparking parts inside. **DO NOT** use it in areas where gasoline, paint or flammable liquids are used or stored.
- The heater may emit a slight, harmless odour when first used. This odour is totally normal and it is caused by the initial heating of internal heater parts and will not occur again the next time you use the heater.
- You may notice some light coming from under or from the sides of the unit. This is normal and the holes allow the unit to breathe. **DO NOT** attempt to block these holes.
- This heater is to be used on a 110/120V, 12.2A grounded circuit. **DO NOT** use in an outlet controlled by a switch or dimmer switch. The cord supplied with the heater has a 2 blade plug, and the round pin on the plug is for grounding purpose. If a 2 slot receptacle is not available, an adapter **MUST** be used, and the adapter **MUST** be properly grounded to the outlet box. Avoid plugging other appliances into the same circuit as heater.
- The flame effect is powered by a motor and it is normal for the motor to make some noise as it slowly rotates and helps to create the beautiful 3D flame effect. Some rooms have more or less furnishings than others resulting in varying noise amplification.
- When transporting or storing the heater, keep in a dry place free from excessive vibration so as to avoid damage.
- Always disconnect power before performing any cleaning or maintenance, or relocation of the heater.
- **DO NOT** run the cord under carpeting. **DO NOT** cover cord with throw rugs, runners or the like. Arrange cord away from traffic areas or places where it will not be tripped over.
- **DO NOT** use on soft surfaces like a bed where openings may become blocked.
- To prevent possible fire, **DO NOT** block air intake or exhaust in any manner.
- To disconnect heater, turn control to **OFF** then remove plug from outlet.
- **DO NOT** expose the electric fireplace to the elements such as rain.
- **DO NOT** use the heater outdoors.

ELECTRIC FIREPLACE

FP-SS-42 | FP-SS-50 | FP-SS-60 | FP-SS-72

CAUTION

PLEASE READ INSTRUCTION BEFORE COMMENCING INSTALLATION AND RETAIN FOR FUTURE REFERENCES.

Electrical products can cause death or injury, or damage to property. If in any doubt about the installation or use of this product, consult a competent electrician.

UNPACKING AND TESTING THE FIREPLACE

Carefully remove the unit from the box. Prior to installing the unit, test to make sure the unit operates properly. To do this, plug the unit's power supply cord into a conveniently located 120V grounded outlet

PARTS AND HARDWARE

TOOLS NEEDED

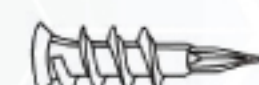
- Phillips screwdriver
- Stud finder
- Level
- Tape measure
- Electric drill
- 1/4" wood drill bit
- Hammer



A- fireplace



B-wood screws



C-drywall anchors



D-remote control



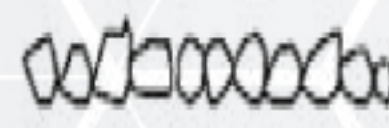
E- L-shaped bracket



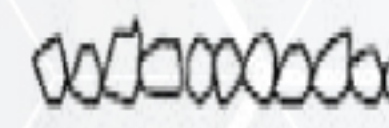
F- metal cover plate



G- box connector



H- decorative clear crystals



I- decorative black crystals



J- log set

INSTALLATION AND ASSEMBLY

Your appliance is a wall-mounted, recessed and/or mantel installed appliance. Select a suitable location that is not susceptible to moisture and is away from drapes, furniture and high traffic areas. **NOTE: Follow all National and local electrical codes.**

MINIMUM CLEARANCE TO COMBUSTIBLES

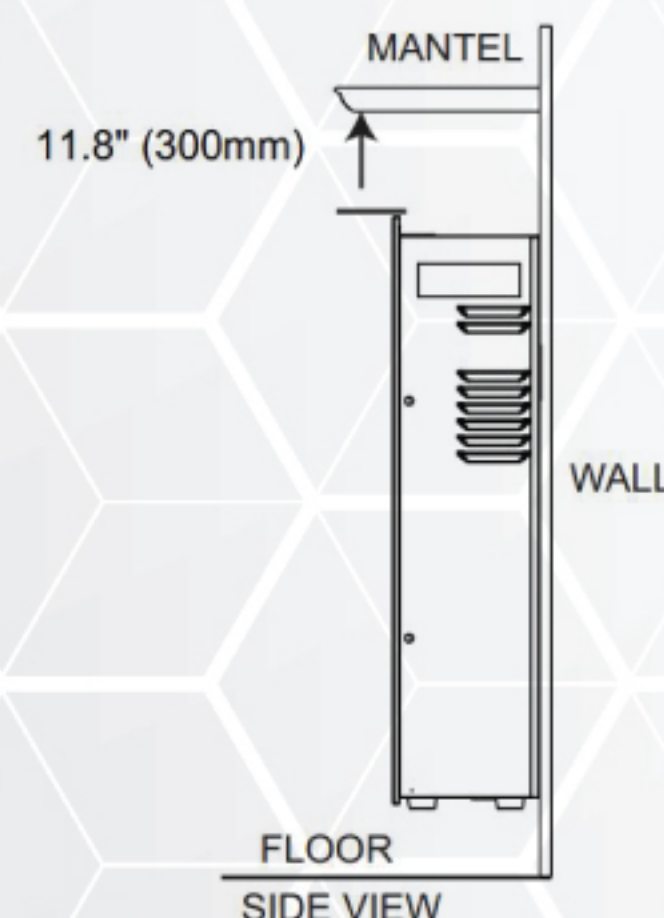
Measurements are taken from the glass front

| | | | |
|--------|----|-----|--------------------------|
| Bottom | 0" | Top | 11.8" (300mm) to mantel |
| Sides | 0" | Top | 11.8" (300mm) to ceiling |
| Back | 0" | | |

MINIMUM MANTEL CLEARANCES

WARNING

WHEN USING PAINT OR LACQUER TO FINISH THE MANTEL, THE PAINT OR LACQUER MUST BE HEAT RESISTANT TO PREVENT DISCOLOURATION.



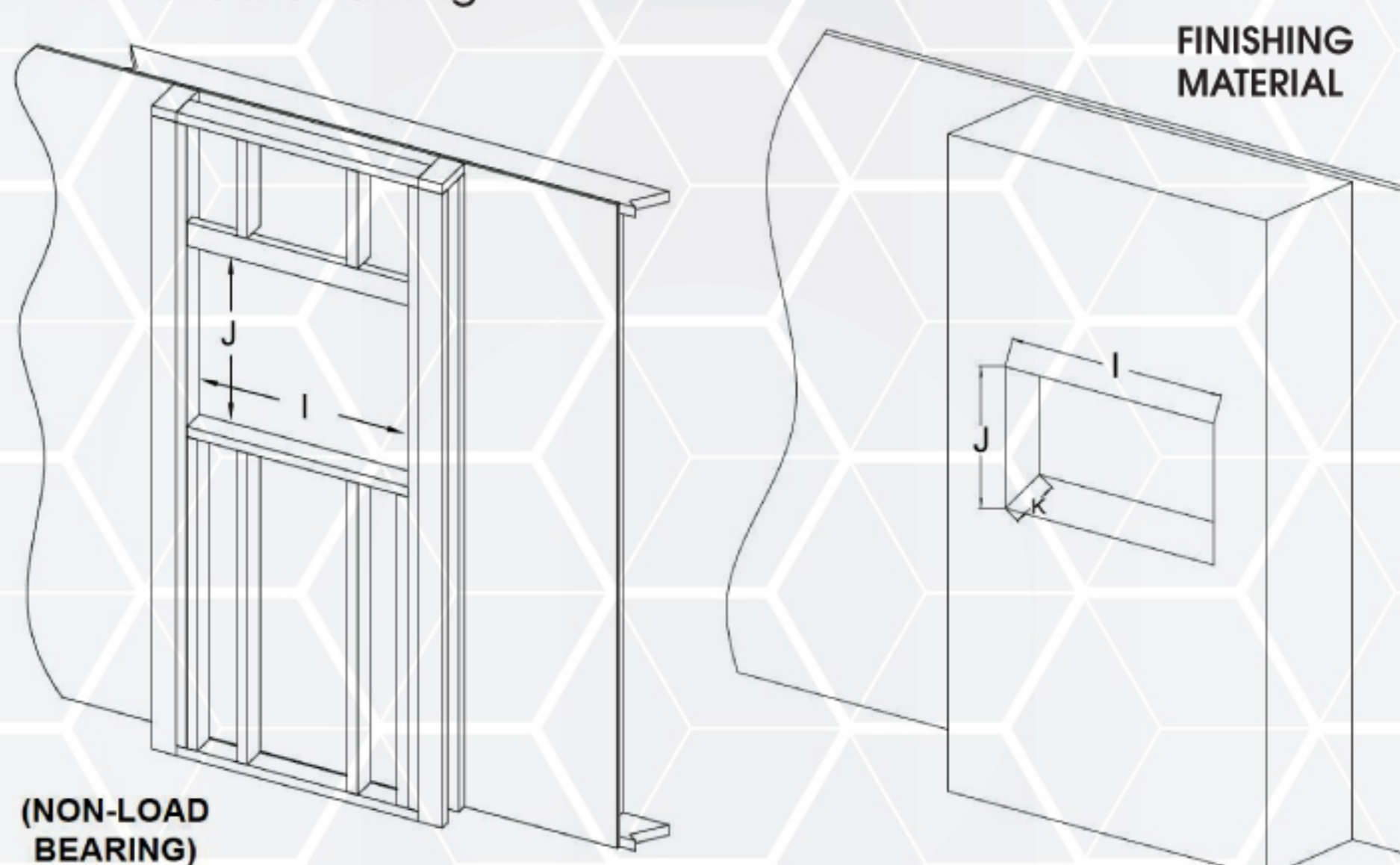
ELECTRIC FIREPLACE

FP-SS-42 | FP-SS-50 | FP-SS-60 | FP-SS-72

WALL RECESSED PRE-INSTALLATION

Due to the many different materials used on different walls, it is highly recommended that you consult your local builder before you install this appliance.

- Select a location that is not prone to moisture and is located at least 36" (94.1cm) away from combustible materials such as curtain drapes, furniture, bedding, paper, etc
- Create a rough-in frame with electrical (see below "framing").
- Remove the front glass (see "front glass removal / installation" section)
- Hold the appliance up to ensure it will fit into the framing



FRAMING HOLE SIZE

| Model | I | J | K |
|----------|--------|-------|-------|
| FP-SS-42 | 1030mm | 437mm | 150mm |
| FP-SS-50 | 1232mm | 437mm | 150mm |
| FP-SS-60 | 1488mm | 437mm | 150mm |
| FP-SS-72 | 1790mm | 437mm | 150mm |

FRONT GLASS PANEL REMOVAL

- Take off the screws on both side.(Fig. 1-1)
- Carefully lift the front trim up and away from the appliance (Fig. 1-2). Place it face down on a soft, non-abrasive surface.
- Reverse these steps to install the front glass.

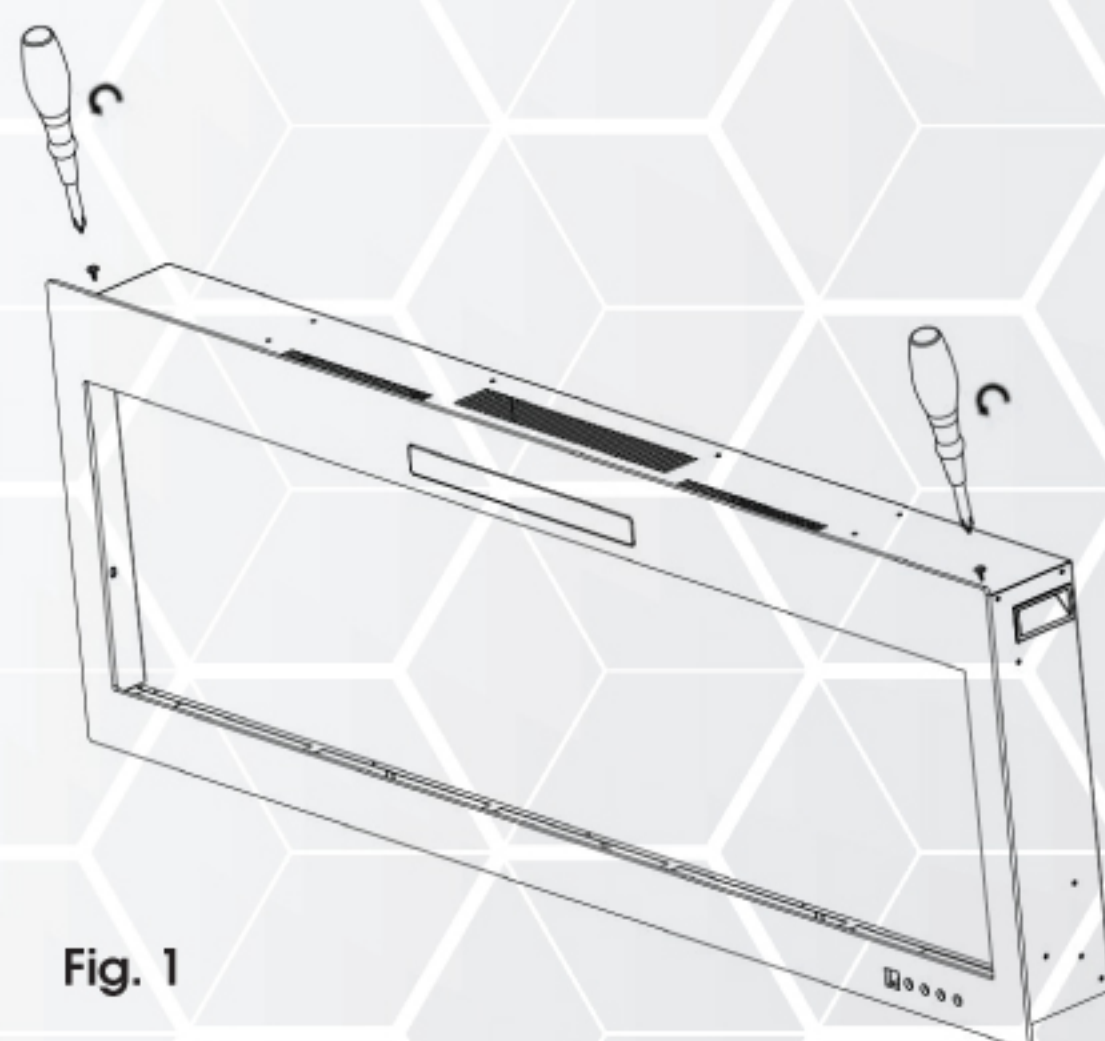


Fig. 1

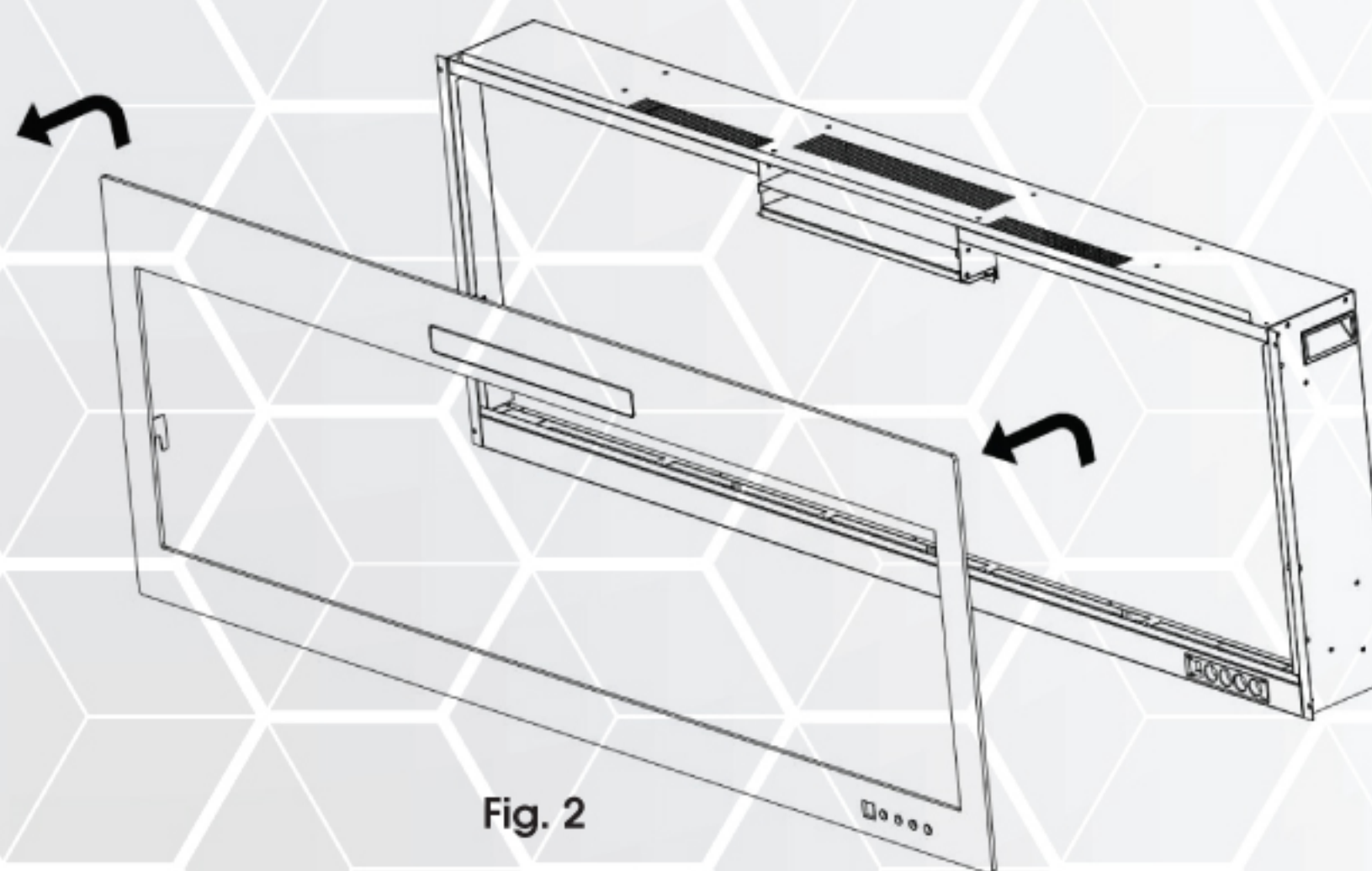


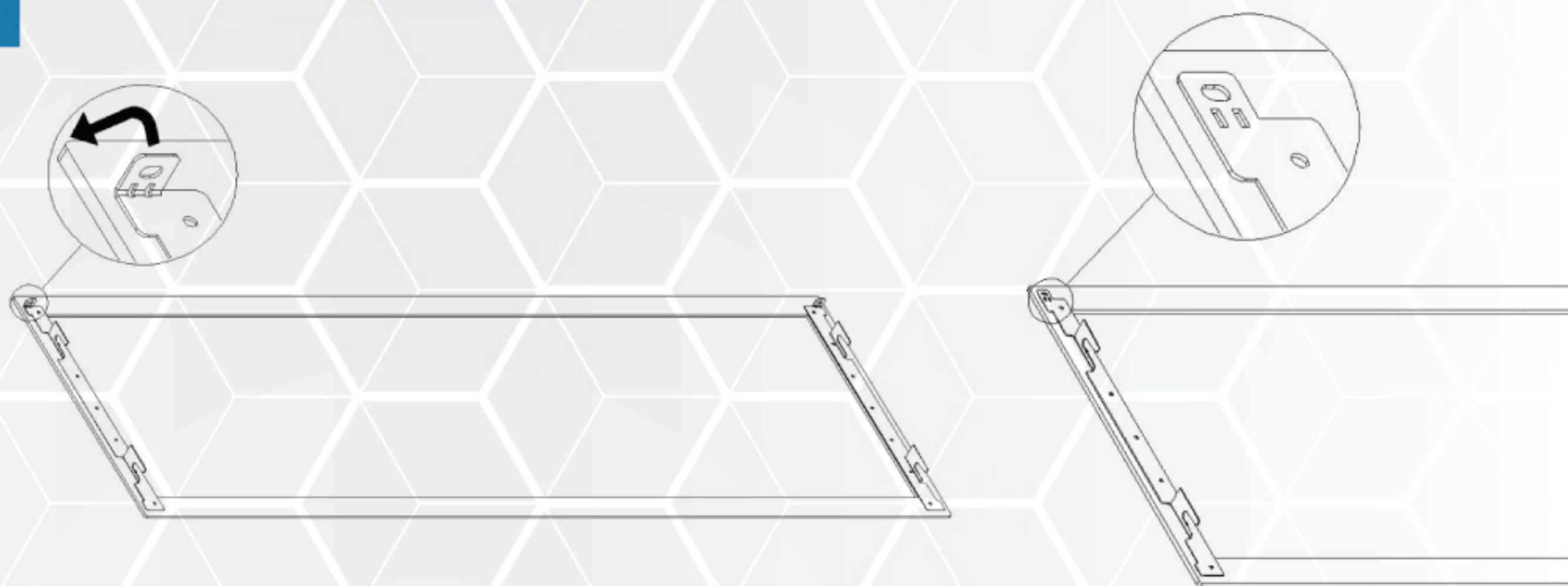
Fig. 2

ELECTRIC FIREPLACE

FP-SS-42 | FP-SS-50 | FP-SS-60 | FP-SS-72

FRONT GLASS PANEL REMOVAL

NOTE: The appliance tabs come bent. You must bend the tab flat by hand when fully recessing the appliance into the wall.



WALL RECESSED INSTALLATION

- Take off the screws (1 per side) from the sides of the fireplace. Set the screws aside (Fig. 2-1)
- Remove the two brackets and set them aside. (Fig. 2-2)
- Power the fireplace by plug-into the wall receptacle.
- Have two adult people to lift up the fireplace and insert it into the rough-in frame and then secure it by installing 4 wood screws (B) through the holes (Fig. 2-3, Fig 2-4).
- Put the decorative crystals to the ember bed, then re-install the front glass.

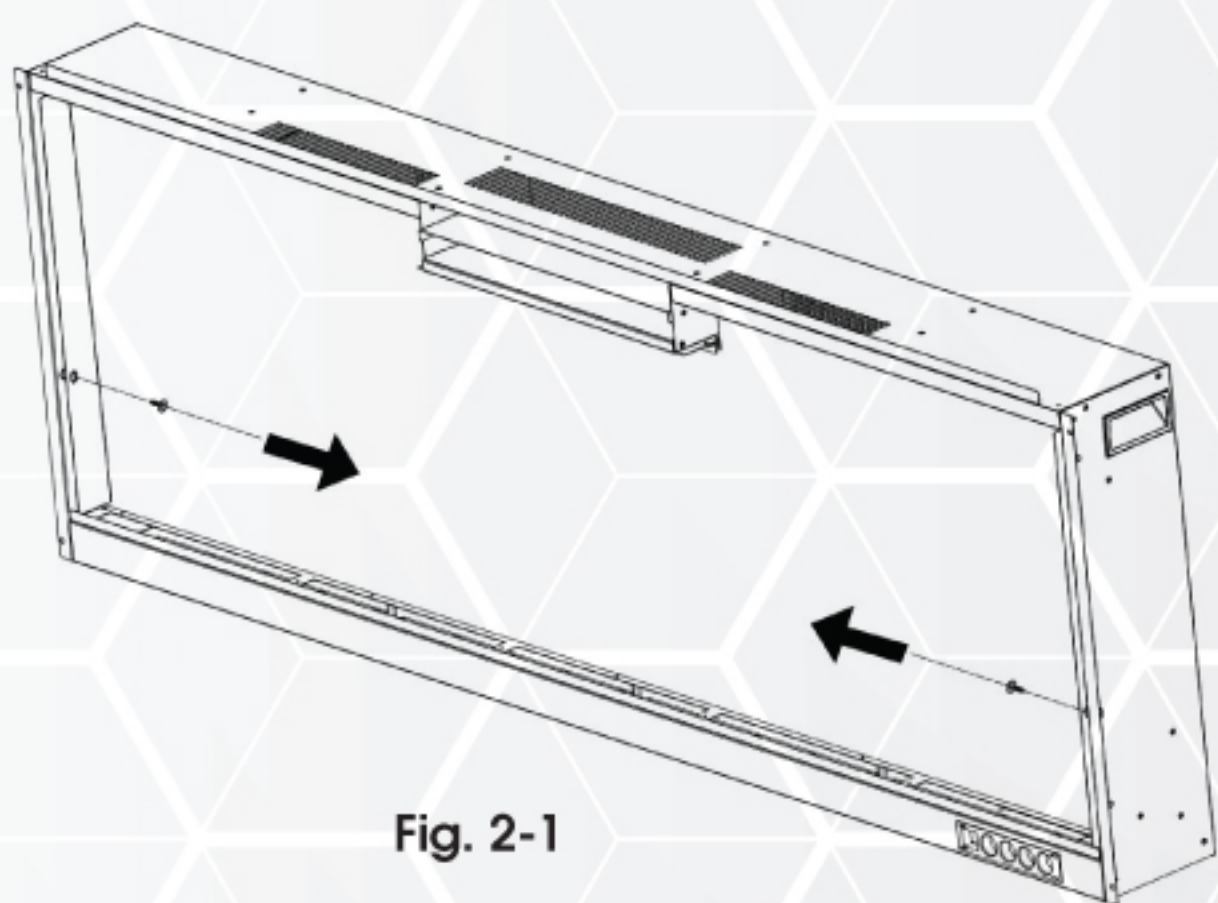


Fig. 2-1

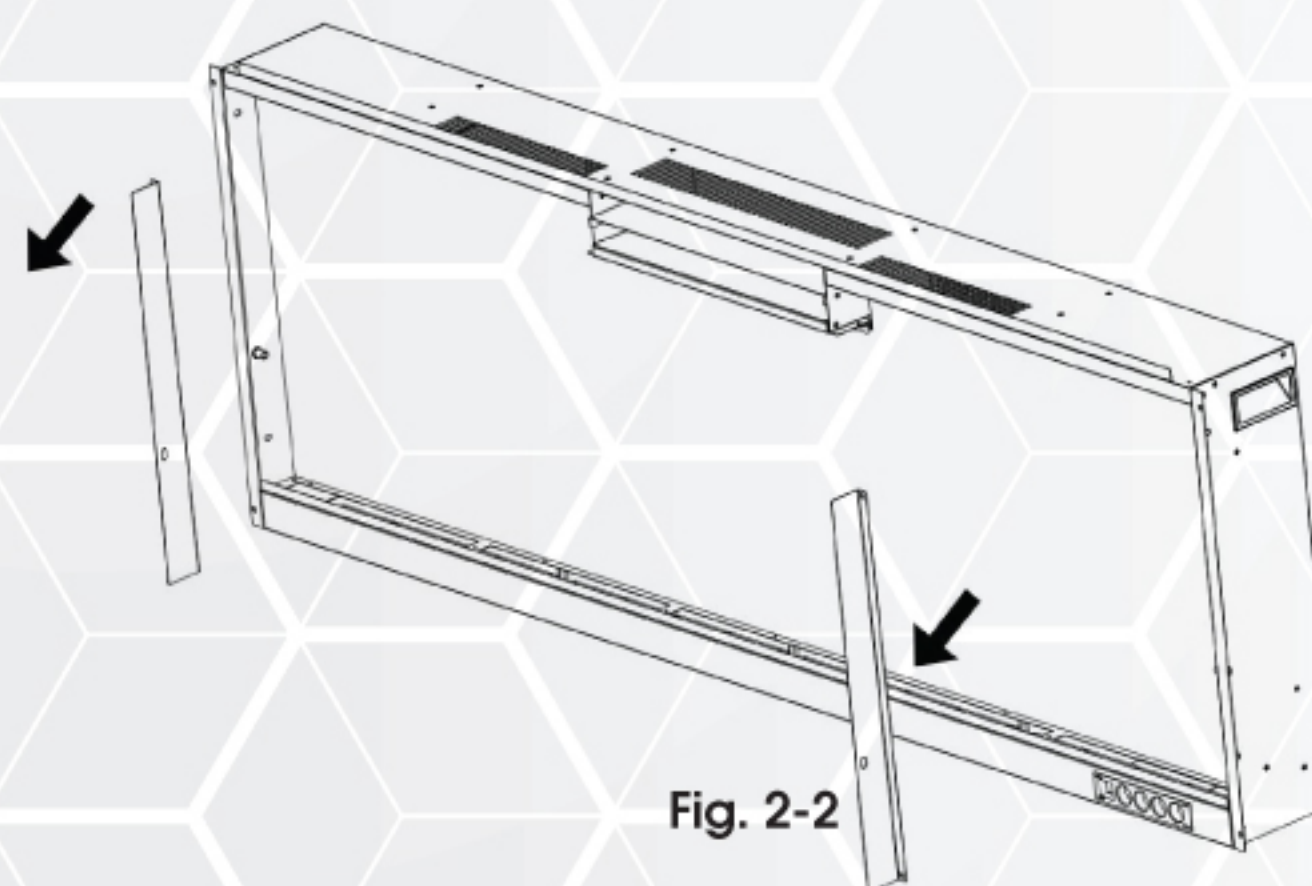


Fig. 2-2

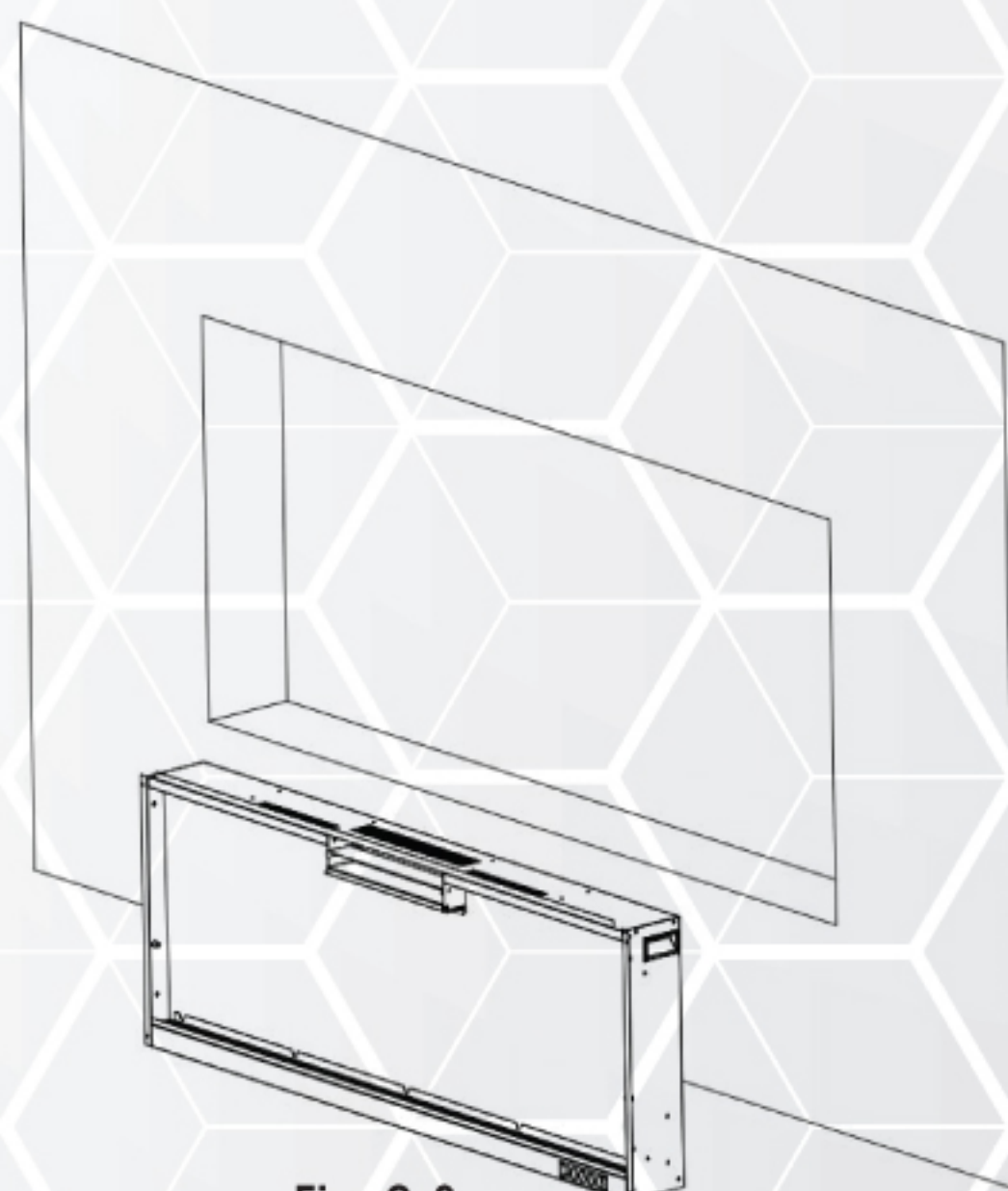


Fig. 2-3

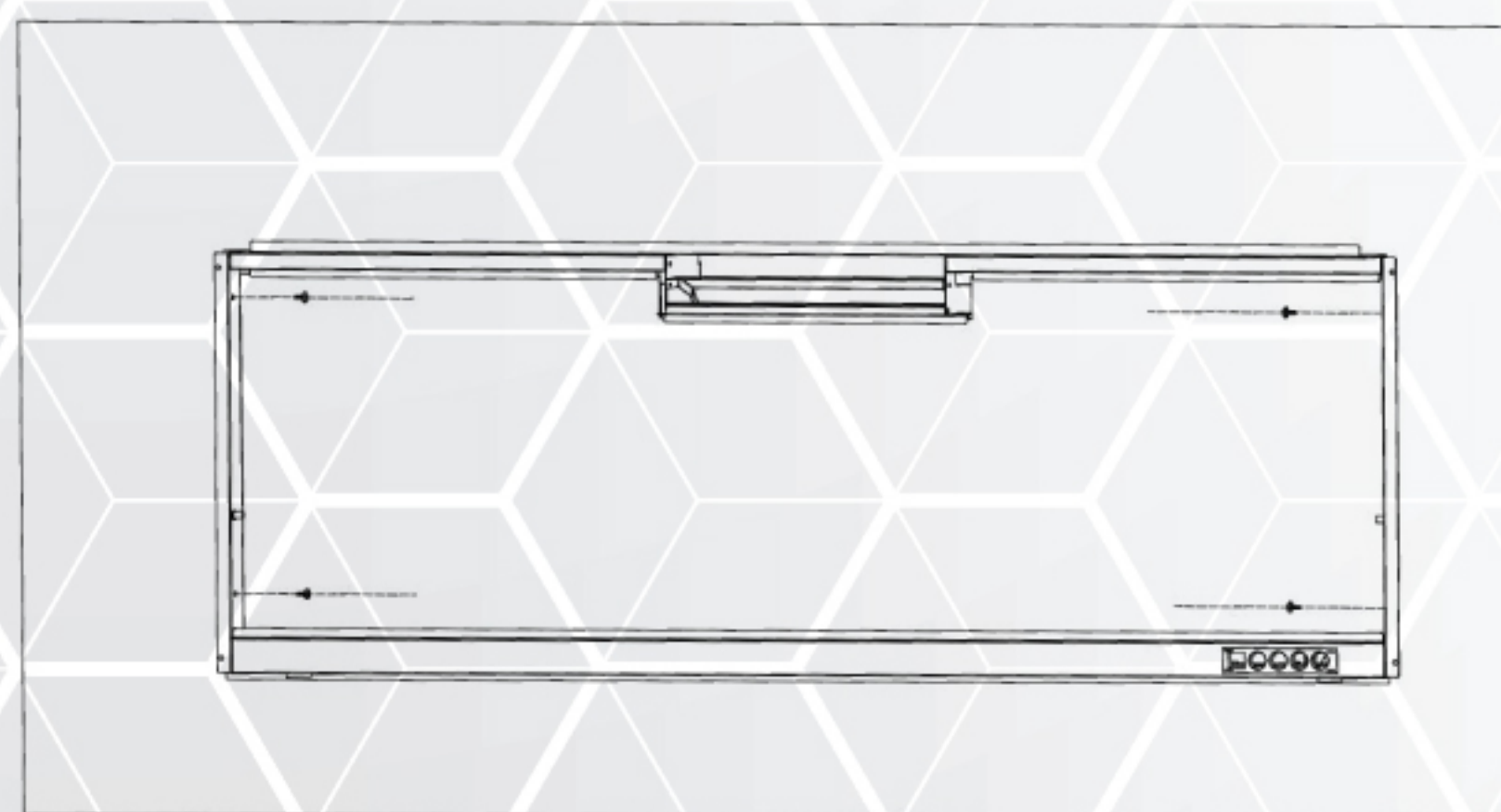


Fig. 2-4

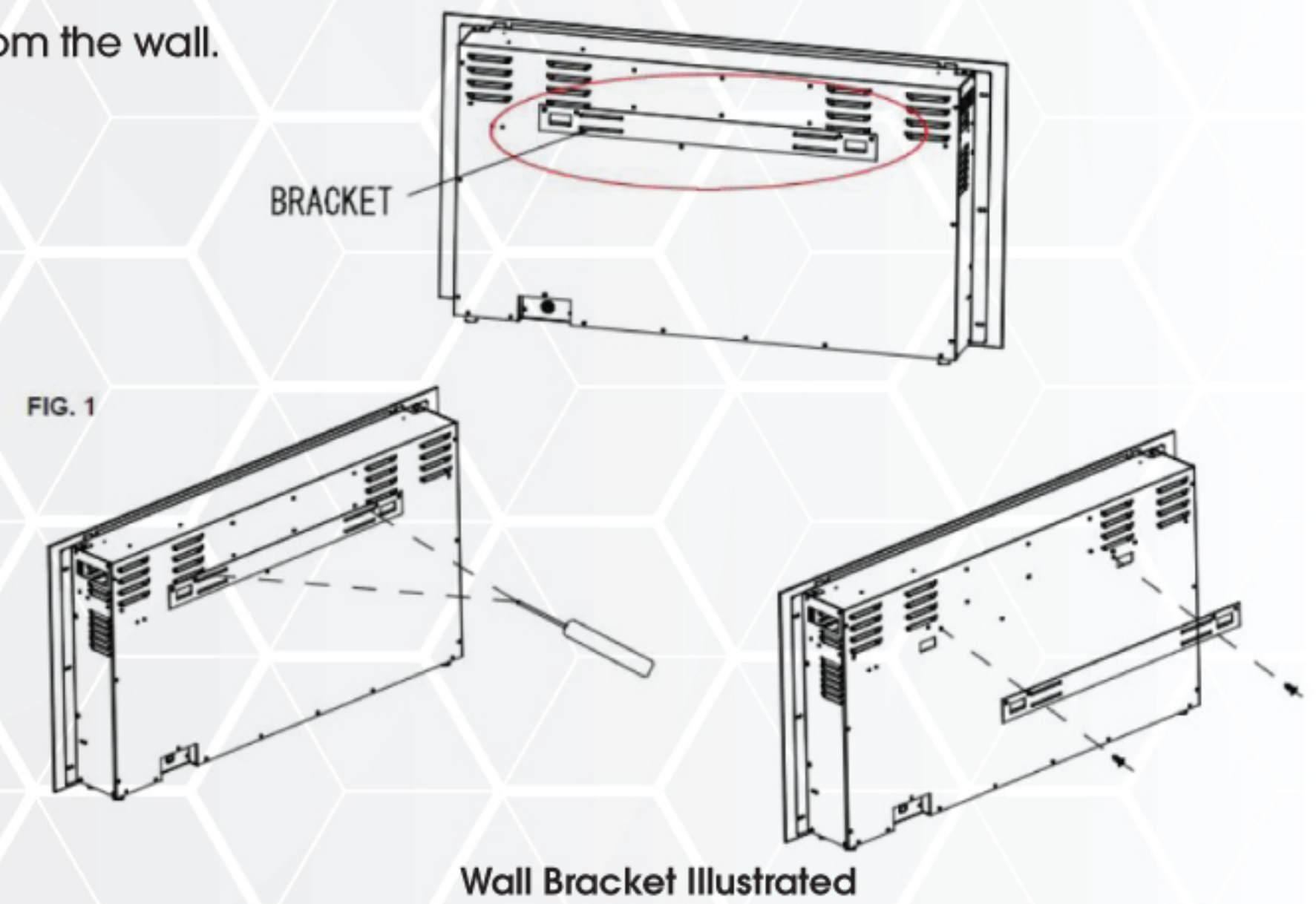
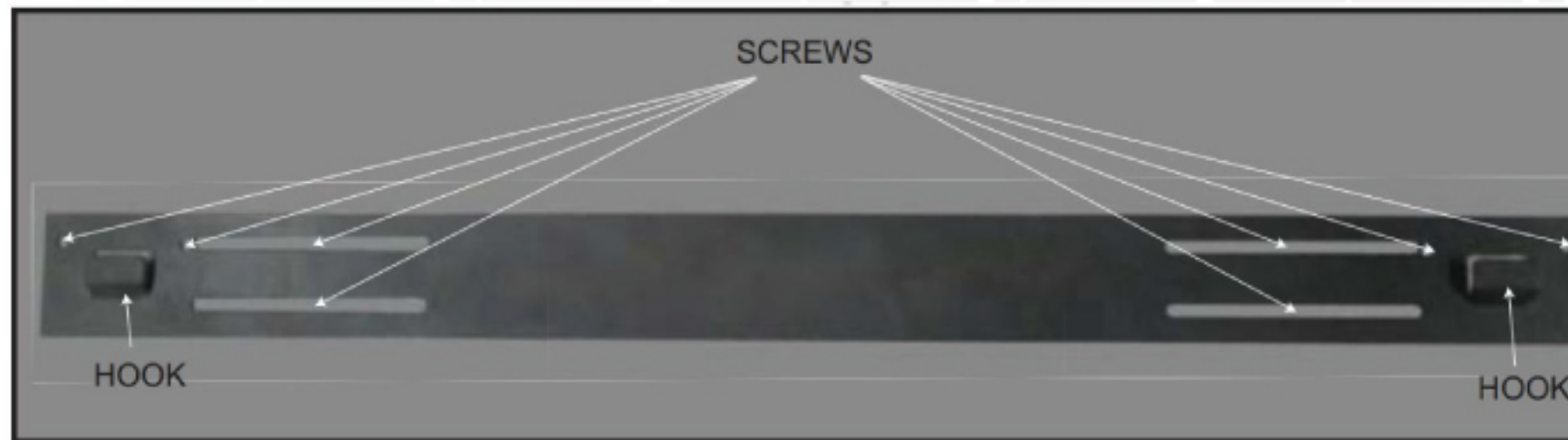
ELECTRIC FIREPLACE

FP-SS-42 | FP-SS-50 | FP-SS-60 | FP-SS-72

WALL MOUNTED INSTALLATION

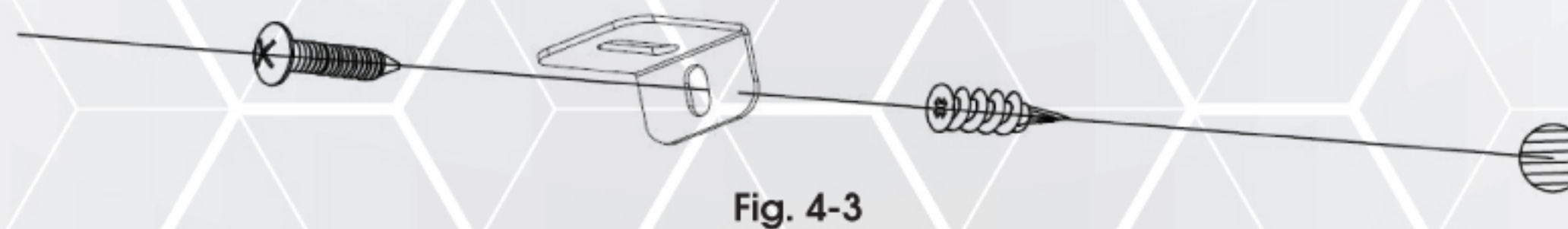
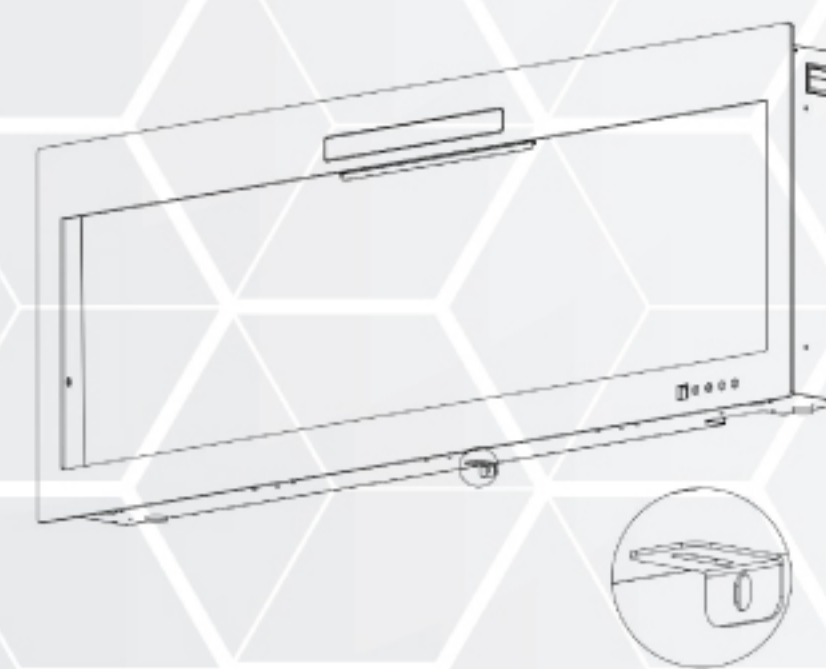
Due to the many different materials used on different walls, it is highly recommended that you consult your local builder before you install this appliance on the wall.

- Select a location that is not prone to moisture and is located at least 36" (914mm) away from combustible materials such as curtain drapes, furniture, bedding, paper, etc.
- Have two people hold the appliance against the wall to determine the final location.
- Place unit face down on a soft, non abrasive surface. Remove the bracket from the back of the unit by removing the screws, refer to **Fig.1**.
- Mark out location, then mount the bracket(s) onto the wall using the supplied screws. This bracket **MUST** have the hooks facing upward and be level. **NOTE:** It is strongly recommended that the mounting bracket be Screwed into the wall studs Where possible. If the wall Studs cannot be used, ensure That the supplied plastic anchors are used to affix the bracket to the wall and the bracket is adequately secured.
- With the wall mounting bracket installed have two people lift the appliance up and insert the two hooks on the bracket into the two slots on the back of the appliance.
- Check the appliance for stability ensuring that the bracket will not pull free from the wall.



"L" SHAPE BRACKET INSTALLATION

- Remove the silver screw at the bottom of the appliance. (**Fig 4-1**). Set the screw aside.
- Using the screw previously removed, attached the L-bracket (supplied) to the bottom of the fireplace box. (**Fig 4-2**)
- Install the plastic anchor (C) into the drywall, then install the screw B (supplied) into the hole of the L-bracket into the wall anchor to secure the fireplace from coming off the hooks. (**Fig 3-3**)



ELECTRIC FIREPLACE

FP-SS-42 | FP-SS-50 | FP-SS-60 | FP-SS-72

HARD WIRING CONNECTION

If it is necessary to hard wire this appliance, a qualified electrician must remove the cord connection, and wire the appliance directly to the house hold wiring. This appliance must be electrically connected and grounded in accordance with local codes, if hard wired. In the absence of local codes, use the current CSA C22.1 CANADIAN ELECTRICAL CODE in Canada or the current ANSI/NFPA 70 NATIONAL ELECTRICAL CODE in the United States.

- Remove the cover plate from the right side.
- Remove the wire connectors from the power bottom of the appliance by removing the three cord. The power cord may be discarded. **Fig 5-2** screws, as shown above. **Fig 5-1**
- Take the new cover plate, supplied in the hardware bag. Punch out the 7/8" (22.2mm) hole and install a box connector through, into the junction box. Snap the box connector clamp onto the supply wires.
- Using the wire connectors, connect the ground green wires (G), the common white wires (N) together, then the hot black wires (L) and then the refer to **Fig 5-3**
- Reinstall the cover plate using the three screws, as shown in **Figure 1**.

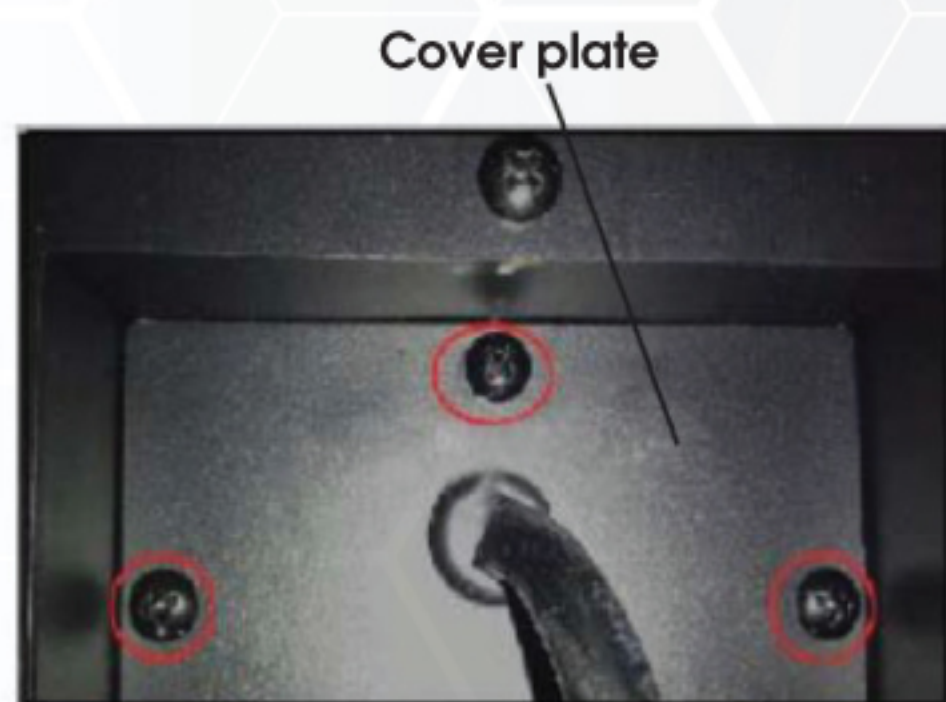


Fig 5-1



Fig 5-2

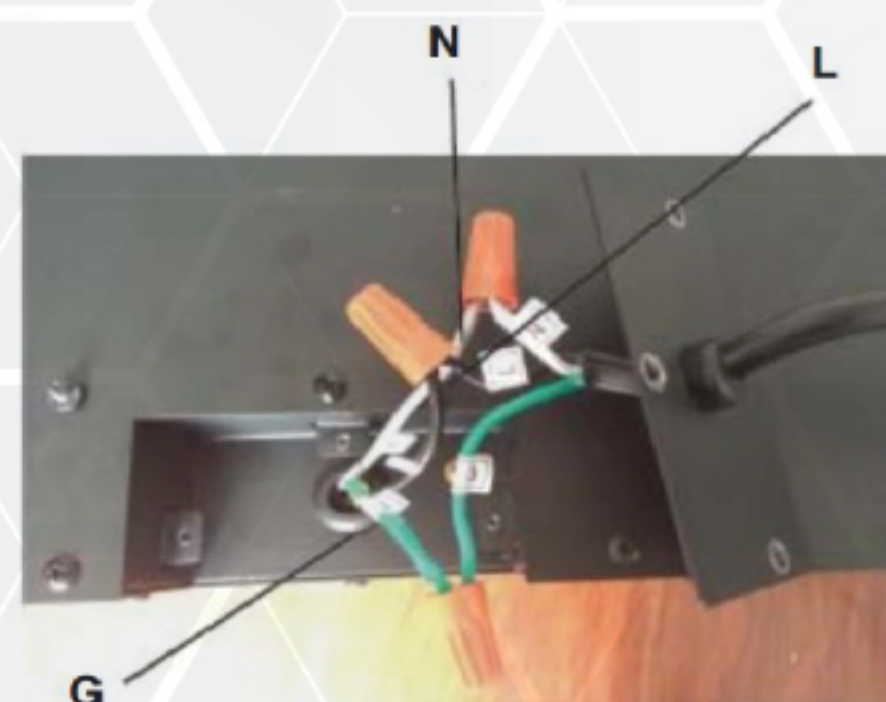
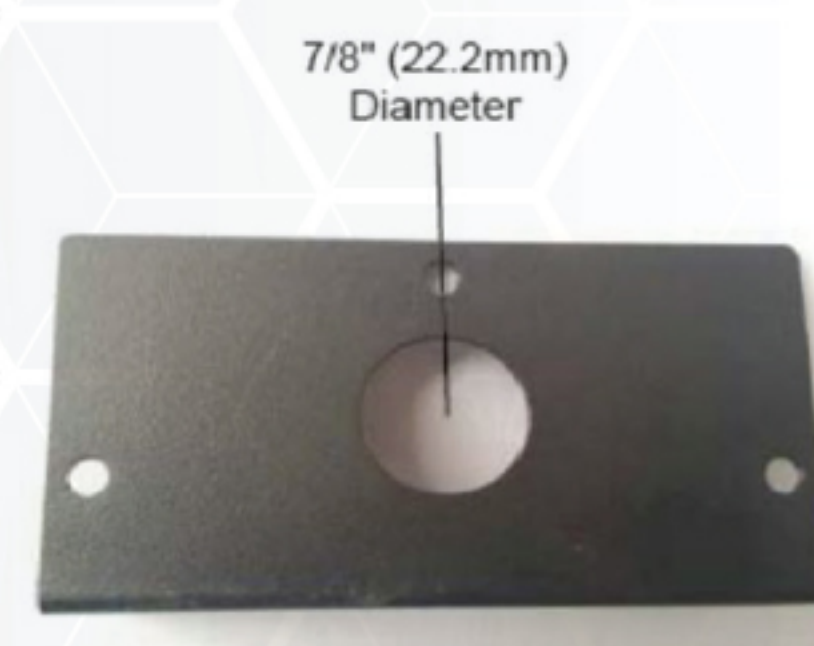


Fig 5-3



DECORATIVE CRYSTALS AND LOG-SET INSTALLATION

- Glass front must be removed and the appliance must be mounted in its final location before the log-set and crystals are installed.
- Remove the log-set (G) from the package, put it to the fireplace designed place. **Fig 6-1**.
- To switch to crystals, take out the log-set from ember bed, then carefully place the clear crystals (clear or black) into the ember bed slot. Apply an even layer from side to side. **Fig 6-2**.

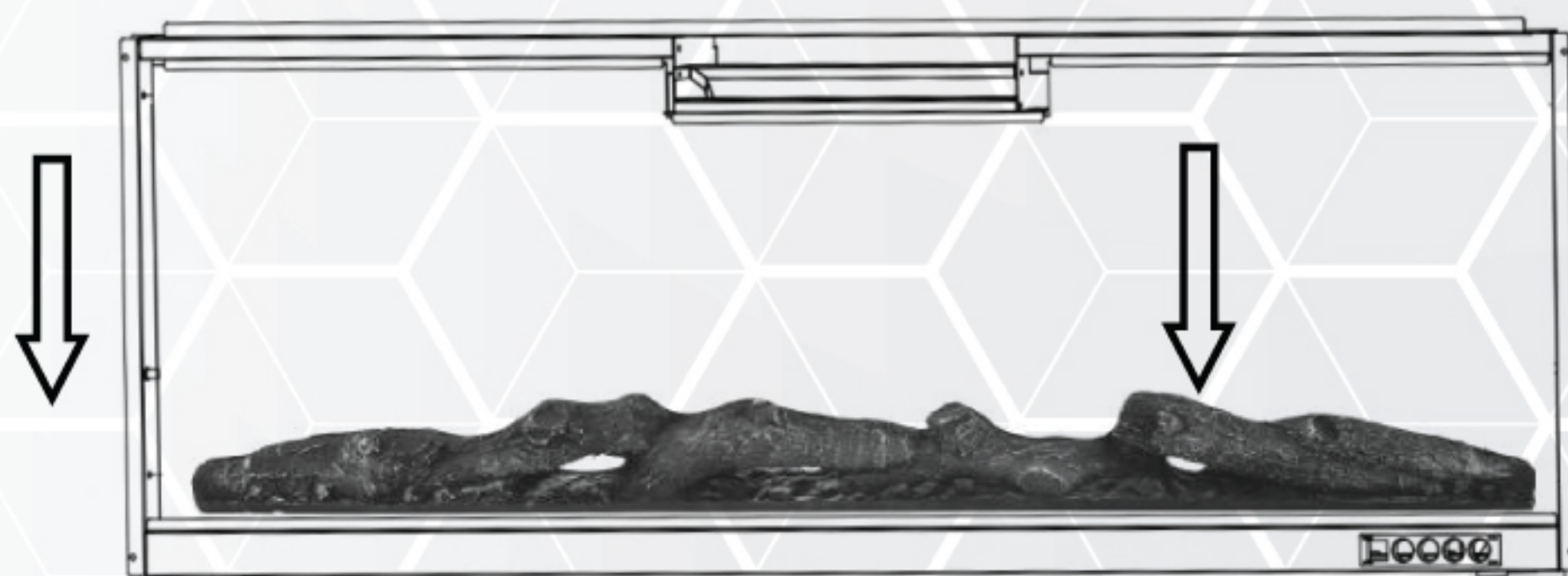


Fig 6-1 (Log-set)



Fig 6-2 Crystals (clear and black)

ELECTRIC FIREPLACE

FP-SS-42 | FP-SS-50 | FP-SS-60 | FP-SS-72

OPERATION

POWER

Plug the power cord into a 110~120 Volt 15 Amp grounded outlet (see IMPORTANT SAFETY INFORMATION on Pages 2 and 3). Make sure the outlet is in good condition and that the plug is not loose. NEVER exceed the maximum amperage for the circuit. DO NOT plug other appliances into the same circuit.

METHODS OF OPERATION

This electric fireplace can be operated by the TOUCH CONTROL PANEL, located on the bottom right side glass panel of fireplace, or by the battery-powered REMOTE CONTROL. Before operating, please review the IMPORTANT SAFETY INFORMATION on Pages 2 and 3, and heed all warnings.







Touch - on Control panel



Remote control







TOUCH-ON CONTROL PANEL OPERATION

| BUTTON | FUNCTION | ACTION & INDICATION |
|--|--|---|
|  POWER | ON: Enables control panel functions and remote control. Turns on flame effect. OFF: Disables control panel functions and remote control. Turns off flame effect. | Press once. Indicator light turns on. Power turns on. All functions enabled. Press again. Flame effect turns off. Unit goes to standby. All functions turn off. |
|  COLOUR | COLOUR button: Makes the colour flame effect changing. NOTE: colour effect stays on until power button is turned off. Colour flame effect must be on for heater to turn on. | Press once. Flame colour effect gets changing. Press again until desired setting is reached. In total with 10 color flames. |
|  TIMER | TIMER button: Controls timer settings to turn off fireplace at selected time. Settings range from 0.5 hours to 8 hours. | Press once. Indicator light turns on. Timer is set to 0.5 hours. Press again until desired setting is reached. |
|  HEATER | HEATER button: Turns heater on and off. NOTE: The heater only works when the flame effect is on. If the flame effect is off, the heater will not turn on. NOTE: Heater button can be locked or unlocked by holding the Heater button for 5 seconds. | <ol style="list-style-type: none"> 1. Press once. Indicator Lights Up 2. Press again. BL icon appears turning on the blower with no heat. 3. Press again. The heater turns on with the first heating setting H1. 750w heater turns on and blows warm air. 4. Press again. The heater turns on with the second heating setting H2. 1500w heater turns on and blows warm air. 5. Press again. The heater will turn off H0. |

ELECTRIC FIREPLACE

FP-SS-42 | FP-SS-50 | FP-SS-60 | FP-SS-72

REMOTE CONTROL OPERATION

| BUTTON | FUNCTION | ACTION & INDICATION |
|--|---|---|
|  POWER | <p>ON: Enables control panel functions and remote control. Turns on flame effect.</p> <p>OFF: Disables control panel functions and remote control. Turns off flame effect.</p> | <p>Press once. Indicator light turns on. Power turns on. All functions enabled.</p> <p>Press again. Flame effect turns off. Unit goes to standby. All functions turn off.</p> |
|  TIMER | <p>TIMER button: Controls timer settings to turn off fireplace at selected time. Settings range from 0.5 hours to 8 hours.</p> | <p>Press once. Indicator light turns on. Timer is set to 0.5 hours.</p> <p>Press again until desired setting is reached. Indicator lights show setting.</p> |
|  FLAME | <p>FLAME button: Makes flame effect dimmer and brighter.</p> <p>NOTE: Flame effect stays on until power button is turned off. Flame effect must be on for heater to turn on.</p> | <p>Press once. Flame brightness effect gets changing.</p> <p>Press again. until desired setting is reached.</p> |
|  COLOUR | <p>COLOR button: Makes the colour flame effect changing.</p> <p>NOTE: colour effect stays on until power button is turned off. Colour flame effect must be on for heater to turn on.</p> <p>NOTE: this fireplace is with memory function for flame.</p> | <p>Press once. Flame colour effect gets changing.</p> <p>Press again until desired setting is reached. In total with 10 colour flames.</p> |
|  HEATER | <p>HEATER button: Turns heater on and off.</p> <p>NOTE: The heater only works when the flame effect is on. If the flame effect is off, the heater will not turn on.</p> <p>NOTE: Heater button can be locked or unlocked by holding the Heater button for 5 seconds.</p> | <ol style="list-style-type: none"> 1. Press once. Indicator Lights Up 2. Press again. BL icon appears turning on the blower with no heat. 3. Press again. The heater turns on with the first heating setting H1. 750w heater turns on and blows warm air. 4. Press again. The heater turns on with the second heating setting H2. 1500w heater turns on and blows warm air. 5. Press again. The heater will turn off H0. |
|  SPEED | <p>Flame speed button: Controls the speed of the flame. There are 3 flame speed settings: 01 (slowest), 02 (Medium), 03 (fastest).</p> | <p>Press once. Flame speed gets changing.</p> <p>Press again until desired setting is reached. Display shows the setting. The Default setting is 03 (fastest speed)</p> |

NOTICE

When the heater is first turned on, a slight odor may be present. This is normal and should not occur again unless the heater is not used for a long period of time.

NOTICE

To improve operation, aim the remote control at the front of the fireplace. **DO NOT** press the buttons too quickly. Give the unit time to respond to each command.

ELECTRIC FIREPLACE

FP-SS-42 | FP-SS-50 | FP-SS-60 | FP-SS-72

TEMPERATURE LIMITING CONTROL

This heater is equipped with a Temperature Limiting Control. Should the heater reach an unsafe temperature, the heater will automatically turn OFF.

To reset:

- Unplug the power cord from the outlet.
- Turn the ON/OFF switch on the CONTROL PANEL to OFF. **Wait 5 minutes.**
- Inspect the fireplace to make sure no vents are blocked, or clogged with dust or lint. If they are, use a vacuum to clean the vent areas.
- With the POWER switch in the OFF position, plug the power cord back into the outlet.
- If the problem continues, have your outlet and wiring inspected by a professional.

Remote Control Battery Information

- Remote control uses one CR2025 battery **(Included)**

NEVER dispose of batteries in fire. Failure to observe this precaution may result in an explosion. Dispose of batteries at your local hazardous material processing center.

CARE AND MAINTENANCE



ALWAYS turn the heater **OFF** and **unplug the power cord** from the outlet before cleaning, performing maintenance, or moving this fireplace. Failure to do so could result in **electric shock, fire, or personal injury.**

NEVER immerse in water or spray with water. Doing so could result in electric shock, fire, or personal injury.

Metal:

- Buff using a soft cloth, slightly dampened with a citrus oil-based product.
- **DO NOT** use brass polish or household cleaners as these products will damage the metal trim.

Glass:

- Use a good quality glass cleaner sprayed onto the cloth or towel. Dry thoroughly with a paper towel or lint-free cloth.
- **NEVER** use abrasive cleansers, liquid sprays, or any cleaner that could scratch the surface.

Vents:

- Use a vacuum or duster to remove dust and dirt from the heater and vent areas.

Glass:

- Wipe gently with a slightly damp cloth and a mild solution of dish soap and warm water.
- **NEVER** use abrasive cleansers, liquid sprays, or any cleaner that could scratch the surface.



Risk of electric shock! DO NOT OPEN any panels ! No user-serviceable parts inside!

ALWAYS turn the heater **OFF** and **unplug the power cord** from the outlet before cleaning, performing maintenance, or moving this fireplace. Failure to do so could result in **electric shock, fire, or personal injury.**

Electrical and Moving parts:

- The fan motors are lubricated at the factory and will not require lubrication.
- Electrical components are integrated in the fireplace and are not serviceable by the consumer.

Storage:

- Store heater in a clean dry place when not in use.

WARNING! NO SERVICING of the internal or electrical parts should be performed by the consumer. Do not service the unit yourself.