

MODEL BOX 52151-KSSX



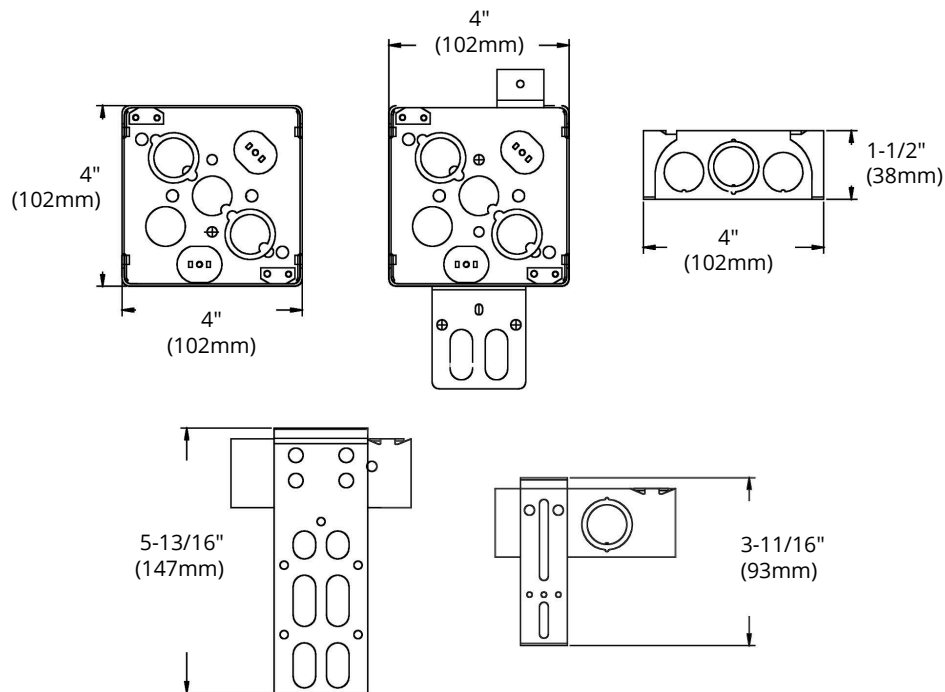
HIGHLIGHTS

- Size: 4" x 4" x 1-1/2"
- Made of galvanized steel
- 4" square shallow "Wraparound" box
- For 2-1/2" and 3-5/8" steel studs with integral support bracket

SPECIFICATIONS

Model	52151-KSSX
Application	New work
Material	Galvanized Steel
Box Type	Wraparound box
Construction Type	Assemble
Cover Included	None
Knockout Options	Side: 7-1/2" x 3-3/4" Bottom: 4-1/2" x 2-3/4"

DIMENSIONS



Reference	QTY.	Remarks	Project:
			Location:
			Architect:
			Engineer:
			Contractor:
			Submitted by:
			Date:

ORTECH reserves the right to modify at any time, without notice, any or all of our product's features, designs, components and specifications to meet market changes.