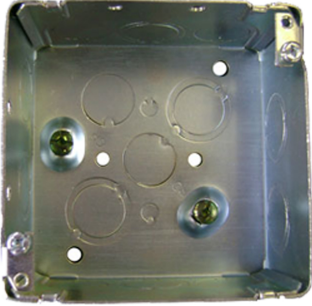


MODEL BOX 52171-K



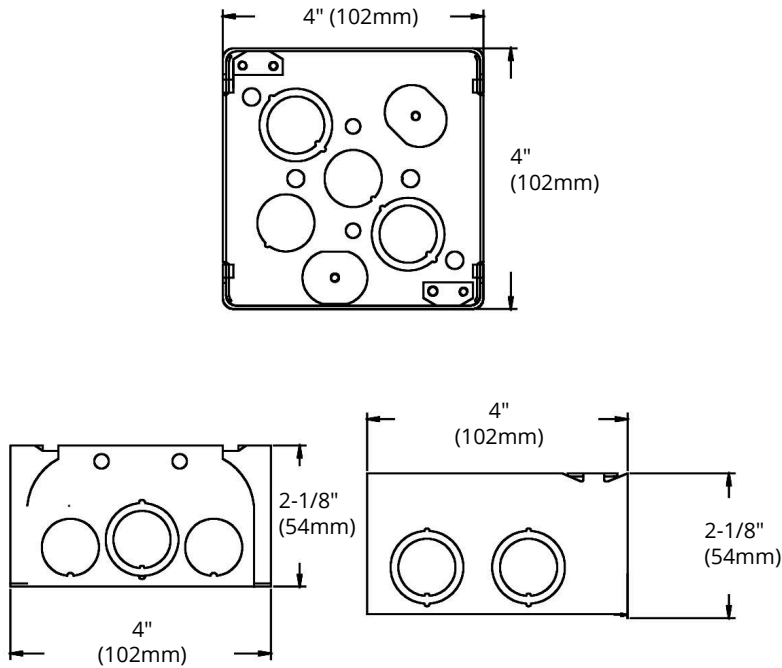
HIGHLIGHTS

- Size: 4" x 4" x 2-1/8"
- Made of galvanized steel
- Concentric knockouts with raised earth grounding
- 4" square steel conduit box with concentric knockouts

SPECIFICATIONS

| | |
|-------------------|--|
| Model | BOX 52171-K |
| Application | New work |
| Material | Galvanized Steel |
| Box Type | Conduit box |
| Construction Type | Assemble |
| Cover Included | None |
| Knockout Options | Side: 10-1/2" x 6-3/4" Bottom: 4-1/2" x 2-3/4" |

DIMENSIONS



| Reference | QTY. | Remarks | Project: |
|-----------|------|---------|---------------|
| | | | Location: |
| | | | Architect: |
| | | | Engineer: |
| | | | Contractor: |
| | | | Submitted by: |
| | | | Date: |

ORTECH reserves the right to modify at any time, without notice, any or all of our product's features, designs, components and specifications to meet market changes.