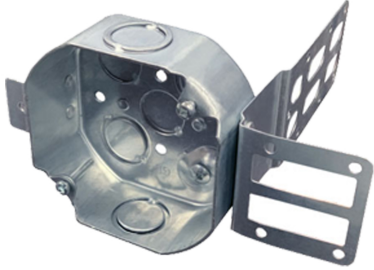


MODEL BOX 54151-KSSX



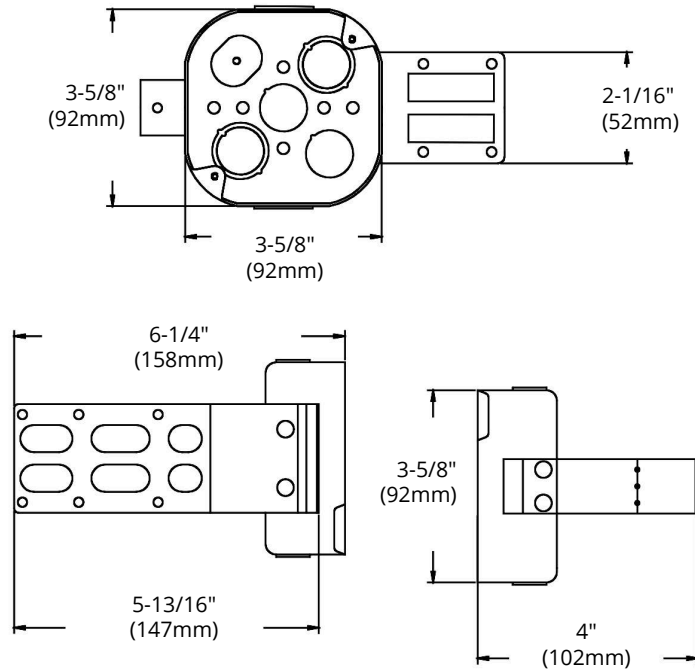
HIGHLIGHTS

- Size: 4" x 4" x 1-1/2"
- Made of galvanized steel
- Steel studs with integral support bracket
- 4" octagonal box with concentric knockouts
- Wraparound bracket for 2-1/2" and 3-5/8" steel studs

SPECIFICATIONS

Model	BOX 54151-KSSX
Application	New work
Material	Galvanized Steel
Box Type	Octagonal box
Construction Type	Drawn
Cover Included	None
Knockout Options	Side: 2-1/2" x 2-3/4" Bottom: 4-1/2" x 2-3/4"

DIMENSIONS



Reference	QTY.	Remarks	Project:
			Location:
			Architect:
			Engineer:
			Contractor:
			Submitted by:
			Date:

ORTECH reserves the right to modify at any time, without notice, any or all of our product's features, designs, components and specifications to meet market changes.