

MODEL BOX 54151-L



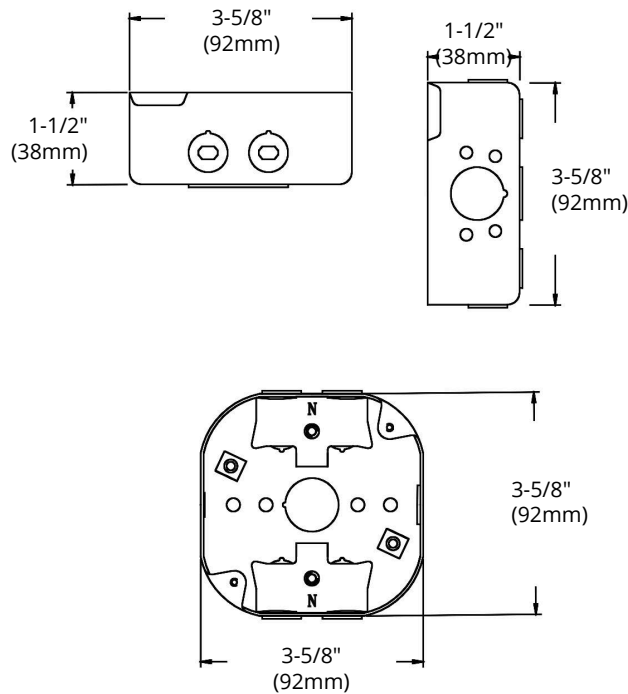
HIGHLIGHTS

- Recessed 1/2"
- 4" octagonal box
- Size: 4" x 4" x 1-1/2"
- Made of galvanized steel
- Prepositioned depth tabs

SPECIFICATIONS

Model	BOX 54151-L
Application	New work
Material	Galvanized Steel
Box Type	Octagonal box
Construction Type	Drawn
Cover Included	None
Knockout Options	Side: 2-1/2" Bottom: 1-1/2"

DIMENSIONS



Reference	QTY.	Remarks	Project:
			Location:
			Architect:
			Engineer:
			Contractor:
			Submitted by:
			Date:

ORTECH reserves the right to modify at any time, without notice, any or all of our product's features, designs, components and specifications to meet market changes.