

## MODEL BOX 54151-LB



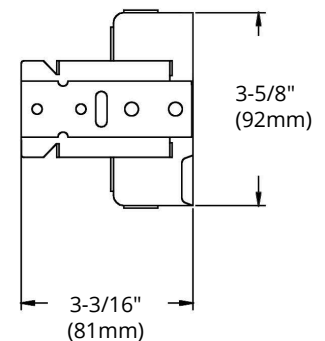
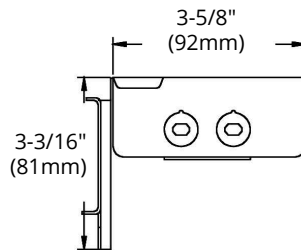
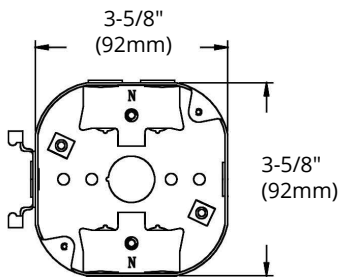
### HIGHLIGHTS

- Size: 4" x 4" x 1-1/2"
- Made of galvanized steel
- 4" octagonal metal box with side bracket
- Holds prongs and prepositioned depth tabs

### SPECIFICATIONS

Model	<b>BOX 54151-LB</b>
Application	New work
Material	Galvanized Steel
Box Type	Octagonal metal box
Construction Type	Drawn
Cover Included	None
Knockout Options	Side: 1-1/2"   Bottom: 1-1/2"

### DIMENSIONS



Reference	QTY.	Remarks	Project:
			Location:
			Architect:
			Engineer:
			Contractor:
			Submitted by:
			Date:

ORTECH reserves the right to modify at any time, without notice, any or all of our product's features, designs, components and specifications to meet market changes.