

MODEL BOX 54171-K



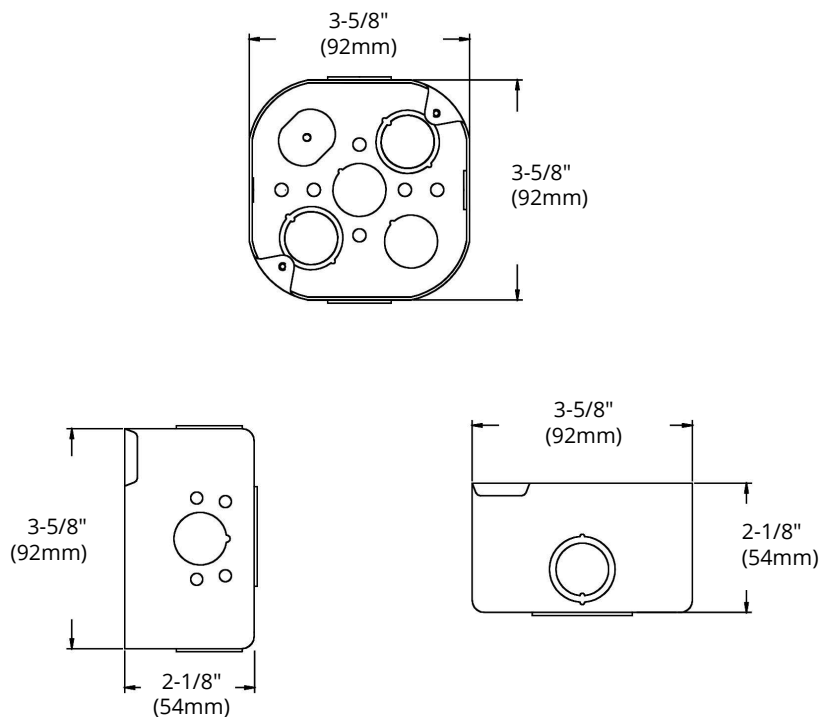
HIGHLIGHTS

- Size: 4" x 4" x 2-1/8"
- Made of galvanized steel
- 4" octagonal junction box
- With concentric knockouts & raised earth grounding

SPECIFICATIONS

Model	54171-K
Application	New work
Material	Galvanized Steel
Box Type	Junction box
Construction Type	Drawn
Cover Included	None
Knockout Options	Side: 4-1/2" x 2-3/4" Bottom: 4-1/2" x 2-3/4"

DIMENSIONS



Reference	QTY.	Remarks	Project:
			Location:
			Architect:
			Engineer:
			Contractor:
			Submitted by:
			Date:

ORTECH reserves the right to modify at any time, without notice, any or all of our product's features, designs, components and specifications to meet market changes.