

## MODEL BOX 72171-K



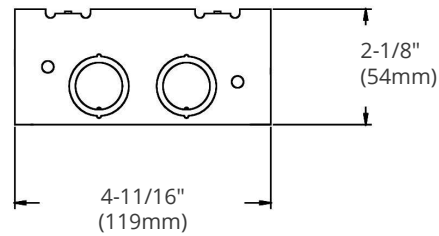
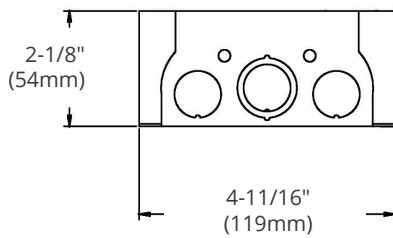
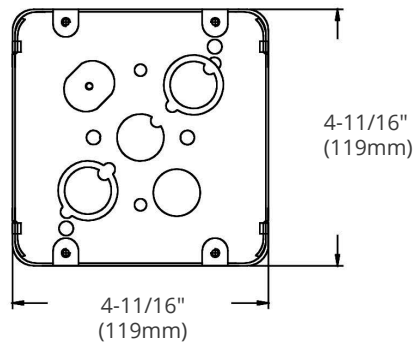
### HIGHLIGHTS

- Made of galvanized steel
- Size: 4-11/16" x 4-11/16" x 2-1/8"
- Concentric knockouts with raised earth grounding
- 4-11/16" square junction box with concentric knockouts

### SPECIFICATIONS

Model	<b>BOX 72171-K</b>
Application	New work
Material	Galvanized Steel
Box Type	Square junction box
Construction Type	Assemble
Cover Included	None
Knockout Options	Side: 10-1/2" x 6-3/4"   Bottom: 4-1/2" x 2-3/4"

### DIMENSIONS



Reference	QTY.	Remarks	Project:
			Location:
			Architect:
			Engineer:
			Contractor:
			Submitted by:
			Date:

ORTECH reserves the right to modify at any time, without notice, any or all of our product's features, designs, components and specifications to meet market changes.