

MODEL PUK SS SN



HIGHLIGHTS

- Super slim LED puk light that is ultra-compact, super efficient for task and accent lighting, and is made of iron + PMMA (polymethyl methacrylate)
- Dimmable with plug-in power adapter or most low-voltage electronic dimmers when used with dimming power supply
- Can be installed wherever light is needed and easily connected in daisy chain fashion to provide uniform illumination
- Ideal for kitchen, under counter, closet, wardrobes, cupboards, dresser, wall, ceiling, cabinet, desk, bed, table, etc.
- Opaque white acrylic lens finish provides maximum light levels to work surface without fixture glare
- Multi-faceted fixture interior engineered to maximize LED module performance
- Perfect enhancement to a wide variety of residential and commercial decors
- Toolless access to fixture components with removal of decorative nuts
- Formed fixture pan with access holes to junction box
- Easy installation — recessed mount or surface mount

AVAILABLE FINISH

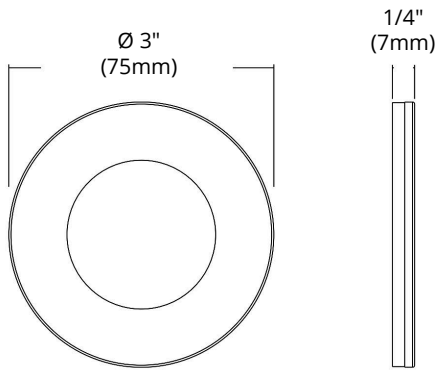


SPECIFICATIONS

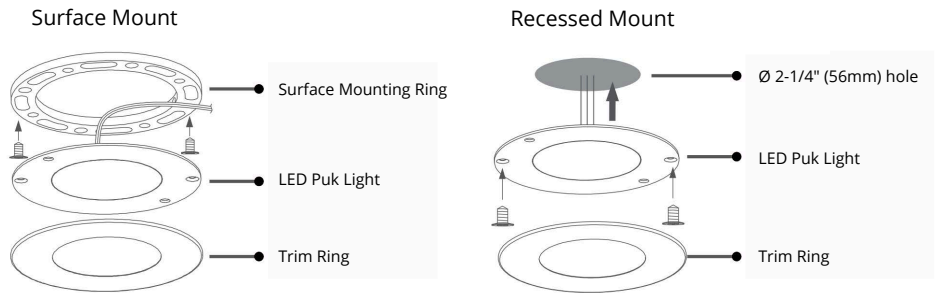
Model	PUK SS SN
Wattage	2.2W
Voltage	12V DC
Lumens	150 lmn
Beam Angle	120°
Lifetime	50000 hours
CRI	80
Dimmable	Yes
Rating	Non-IC Rated / Indoor use / for Damp locations
Grade of Protection	IP 42
Applications	Under cabinet / Home / Office / Kitchen / Workshop
Colour Temp.	3000K (Warm White) / 5000K (Cool White)
Operating Temp.	-20°C ~ +40°C

MODEL PUK SS SN

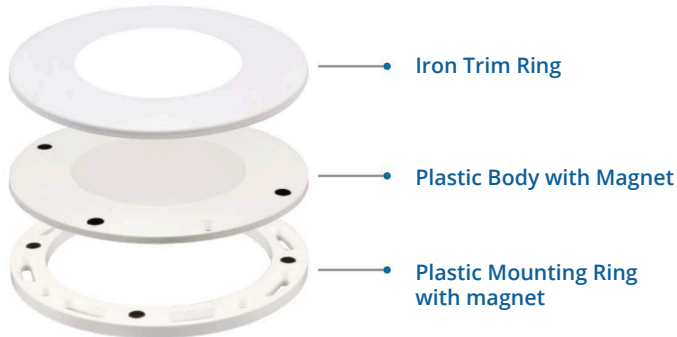
DIMENSIONS



Installation (Surface Mount or Recessed Mount)



EXPANSION FUNCTION



Back View



7 mm
thickness

Ultra
Slim Profile

Compatible Drivers (sold separately)



OT-08D

Max. 8W
Class 2 Driver



OT-15D

Max. 15W
Class 2 Driver



OT-24D

Max. 24W
Class 2 Driver



OT-48D

Max. 48W
Class 2 Driver



OT-60D

Max. 60W
Class 2 Driver



OT-96

Max. 96W
Class 2 Driver

Reference	QTY.	Remarks	Project:
			Location:
			Architect:
			Engineer:
			Contractor:
			Submitted by:
			Date:

ORTECH reserves the right to modify at any time, without notice, any or all of our product's features, designs, components and specifications to meet market changes.