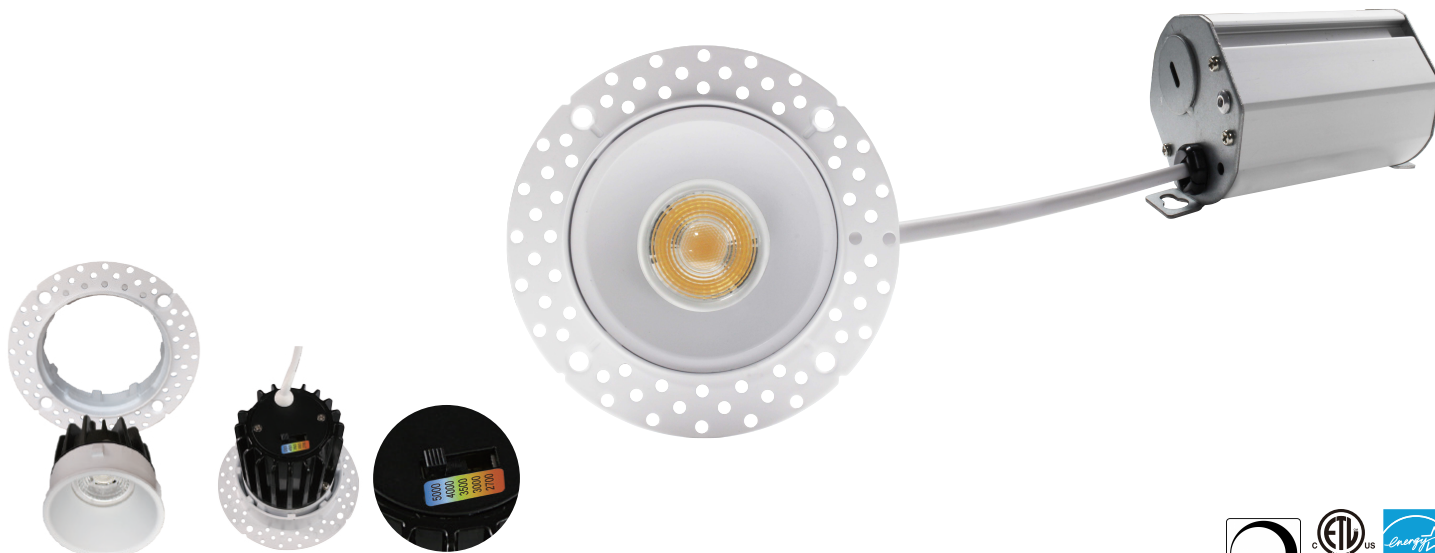


## MODEL SLIM-TL2-5CCT



### HIGHLIGHTS

#### 2" 8W Round LED Trimless Downlight 5CCT Selectable

- Durable airtight aluminum body
- Type IC, Air-Tight - No Housing Required
- Flangeless installation provides a more high end look
- Fast Installation & No Junction Box Needed
- 100%-10% dimming capability. This fixture is compatible with industry standard forward-phase / reverse-phase and TRIAC/ELV dimmers
- Rated for long life - over 50,000 hours

### TRIM FINISH OPTIONS

- Black
- White



### SPECIFICATIONS

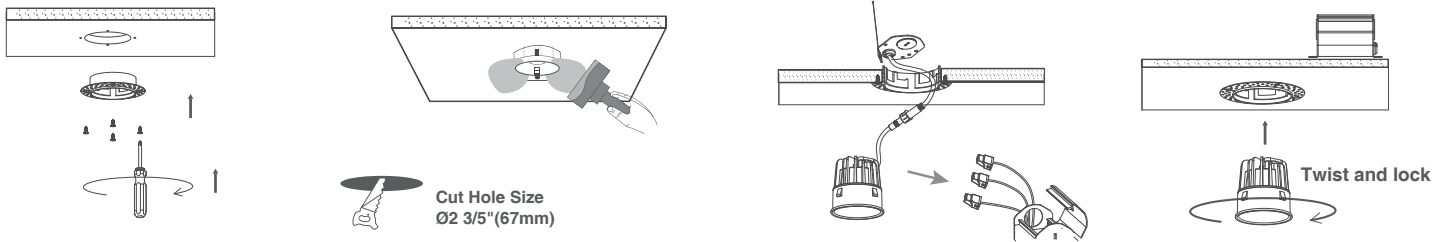
<b>Model</b>	<b>SLIM-TL2-5CCT</b>
<b>Wattage</b>	8W
<b>CRI</b>	80Ra+
<b>Color Temperature</b>	2700K   3000K   3500K   4000K   5000K
<b>Light Output(lm)</b>	600lm
<b>Default Driver Input</b>	AC 120V, 60Hz
<b>Dimming</b>	Triac Dimming
<b>Power Factor</b>	>0.9
<b>Grade of Protection</b>	IP 44
<b>Approved Location</b>	Damp Location
<b>Air Tight</b>	Yes
<b>Operating Temperature</b>	(-4°F~104°F) -20~40°C
<b>Beam Angle</b>	38°

### PACKAGE

<b>Weight (g)</b>	310g
<b>Qty   CTN (pcs)</b>	18pcs/CTN
<b>Box Dimension</b>	L315xW285xH235mm
<b>Gross Weight</b>	6.98kg/CTN

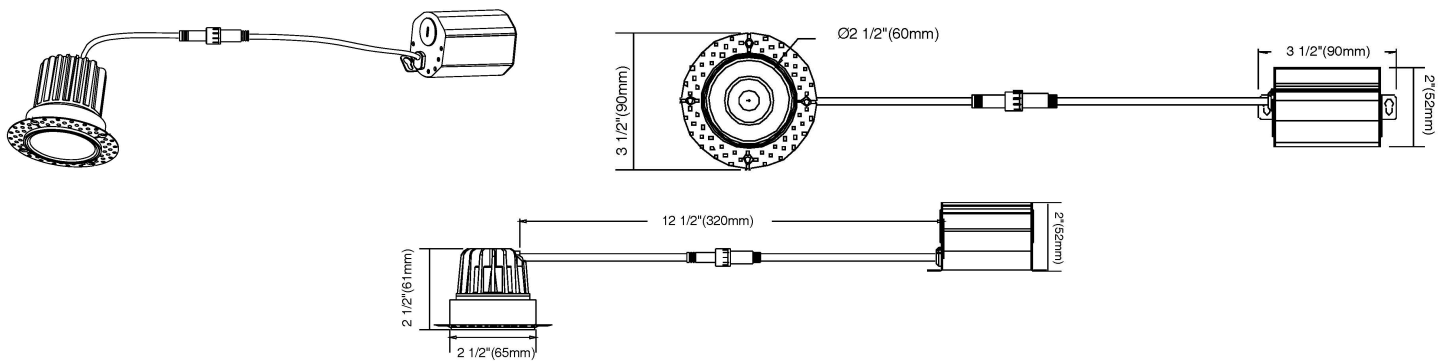
## MODEL SLIM-TL2-5CCT

### MOUNTING



### INCLUDED IN BOX

- 2" 8W Round LED Trimless Downlight with Remote Driver
- 4 Screws



### ACCESSORIES (SOLD SEPARATELY)

#### Mounting Plates

**PLATE26-2**

2" New Construction Plate made up of galvanized steel for recessed lighting

**PLATE2-HB**

Galvanized steel Mounting Plate with hanger bars for ORTECH 2" LED lights

#### Flexible Connector

**CORD-24/60/120/240**

Flexible Connector  
2FT/5FT/10FT/20FT

Reference	QTY.	Remarks	Project:
			Location:
			Architect:
			Engineer:
			Contractor:
			Submitted by:
			Date:

ORTECH reserves the right to modify at any time, without notice, any or all of our product's features, designs, components and specifications to meet market changes.