

## MICRO COMPACT SERIES

ODE-5004 | ODE-8007 | ODE-9010

### HIGHLIGHTS

Next Generation Micro Compact Series Fan with capacitor motor

- Ultra Silent, High Performance
- Very quiet fan for ceiling or wall mounted Hold
- Comes with a capacitor start motor known for its high efficiency and long lasting reliability



### SPECIFICATIONS

Model	ODE-5004	ODE-8007	ODE-9010
Air delivery(CFM at 0.10"S.P.)	50	80	90
Sound Level(Sones)	0.4	0.7	1.0
Fit for bath (sq.ft)	45	75	85
Duct size (inch)	4"		
Fan Watts	16W	19W	20.1W
Housing dimension (in)	7 1/2"x7 1/4"x5 5/8"		
Grille dimension (in)	8 3/4"x9 1/2"		
Voltage	120V/60HZ		
Motor	Capacitor motor, thermally protected, permanently lubricated		
Blower wheel	Centrifugal		
Housing	Galvanized steel		
Grille	plastic		
Warranty	1 year		

### HOUSING

- Made of rugged 26 GA galvanized steel
- Detachable 4 inch polymeric collar which includes a light weight built-in back draft damper

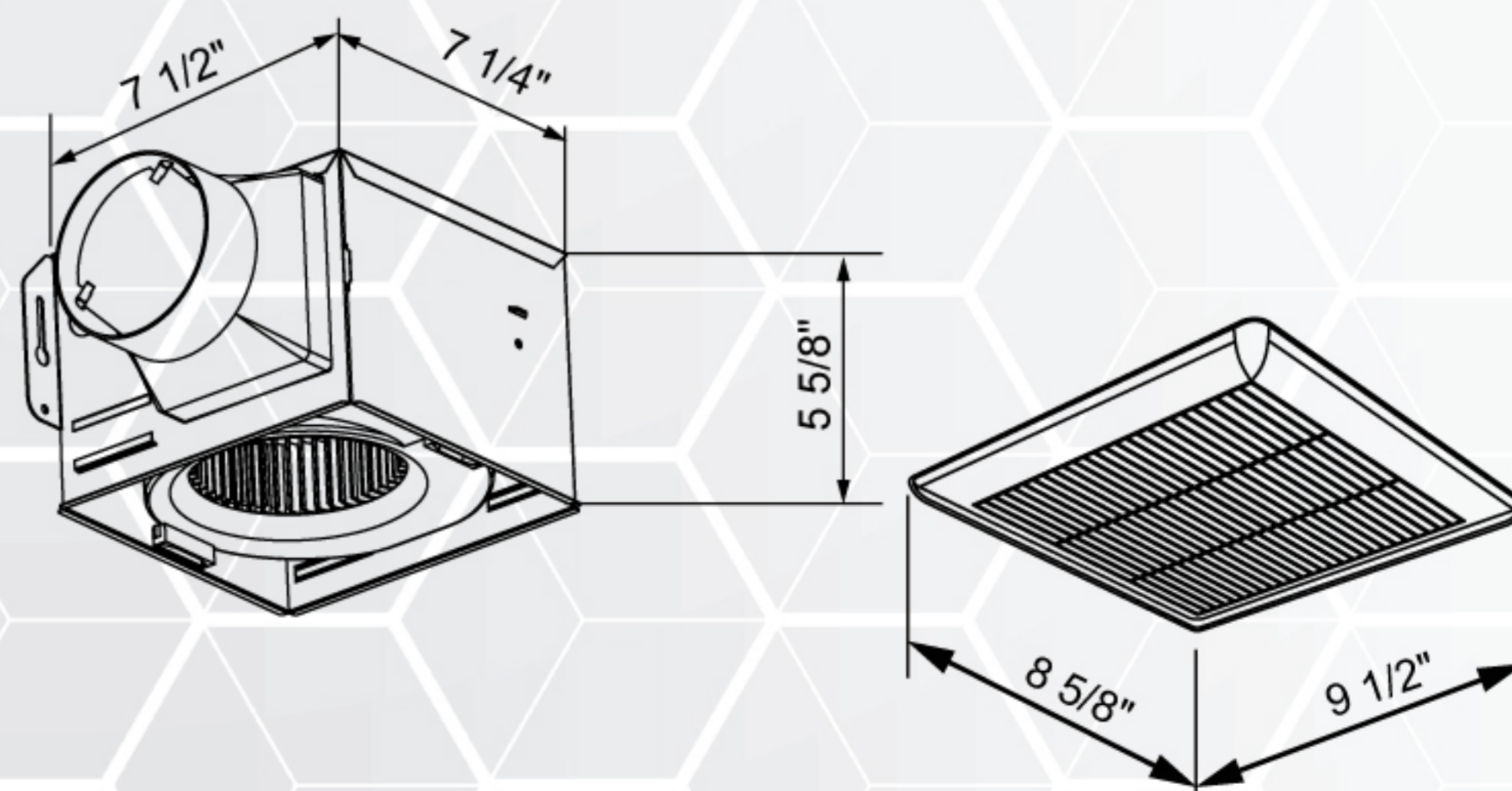
### MOTOR | BLOWER

- Plug in permanently lubricated motor — Engineered for continuous operation
- Motor comes with a built-in overload disconnect for safety and longer motor life

### TYPICAL SPECIFICATIONS

- Ceiling ventilator shall have corrosion resistance galvanized steel
- It shall be ducted to a roof vent or wall cap using 4 inch round pipe
- Blower assembly shall be removable, have a centrifugal type blower wheel and a permanently lubricated motor designed for continuous operation
- Includes an attachable non-metallic collar with built-in back draft damper

### DIMENSIONS

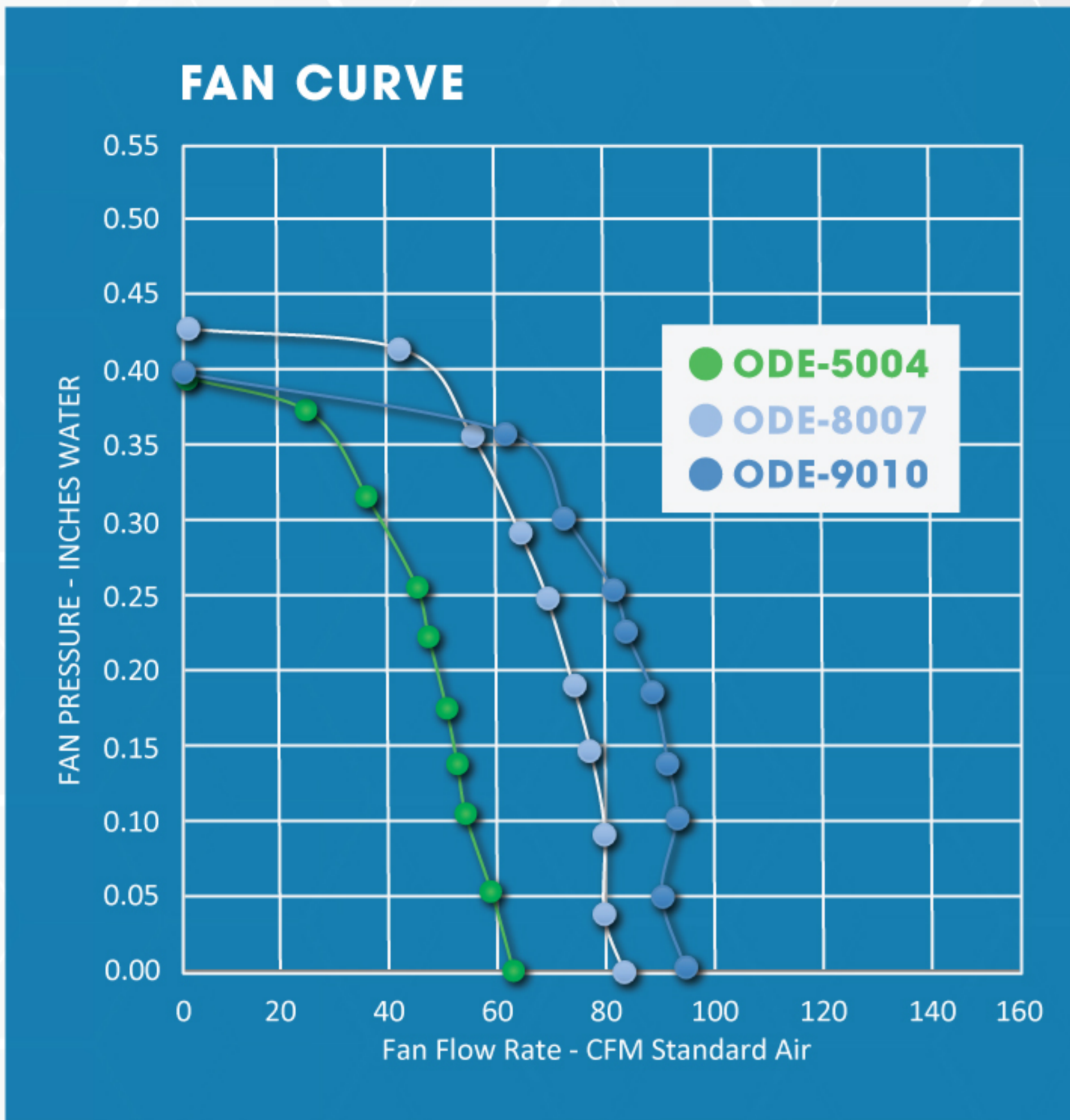




## MICRO COMPACT SERIES

ODE-5004 | ODE-8007 | ODE-9010

### FAN CURVE



**Comes with protective cardboard cover**  
 Warranty is voided if the cardboard is removed anytime during construction.

Reference	QTY.	Remarks	Project:
			Location:
			Architect:
			Engineer:
			Contractor:
			Submitted by:
			Date:

ORTECH reserves the right to modify at any time, without notice, any or all of our product's features, designs, components and specifications to meet market changes.