

RANGEHOOD FANS

OD-RH320

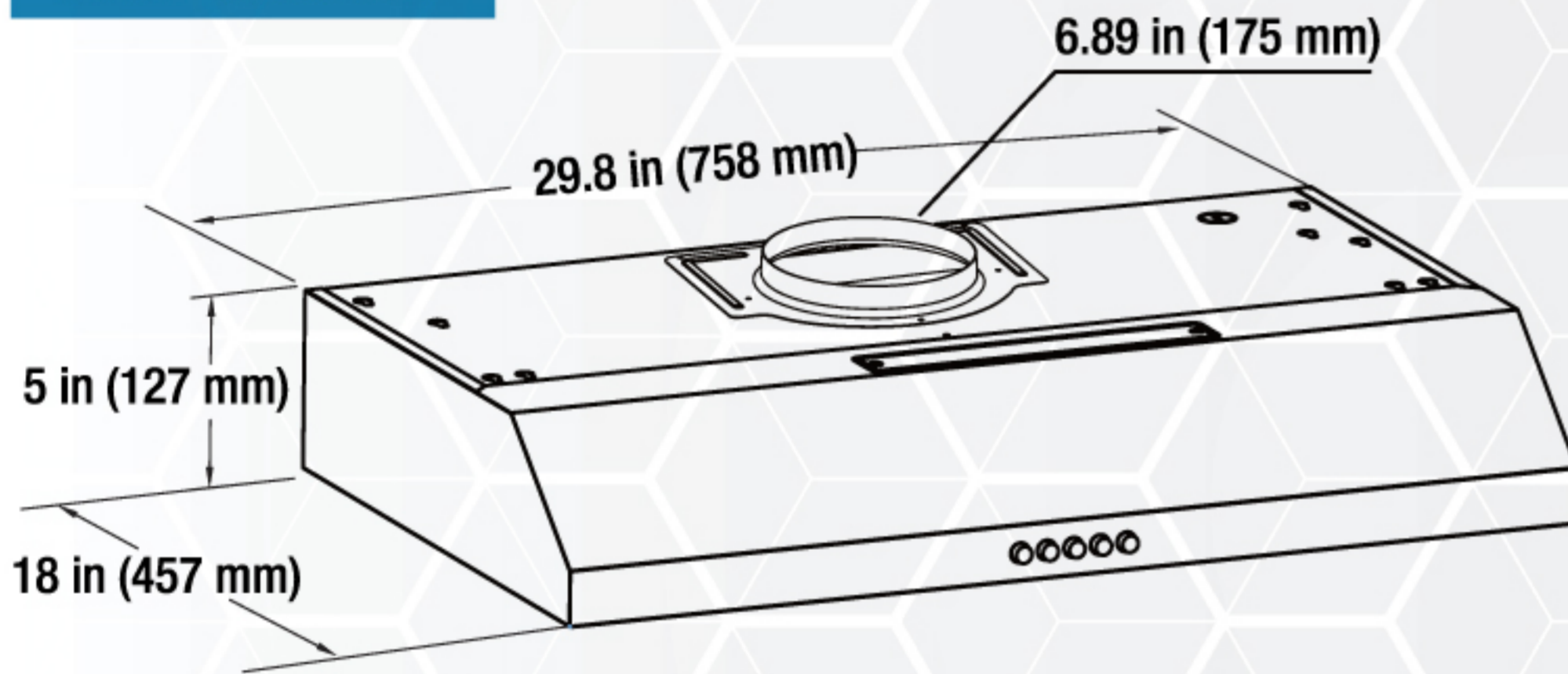
HIGHLIGHTS

30 inch Under - Cabinet Kitchen Rangehood Fan

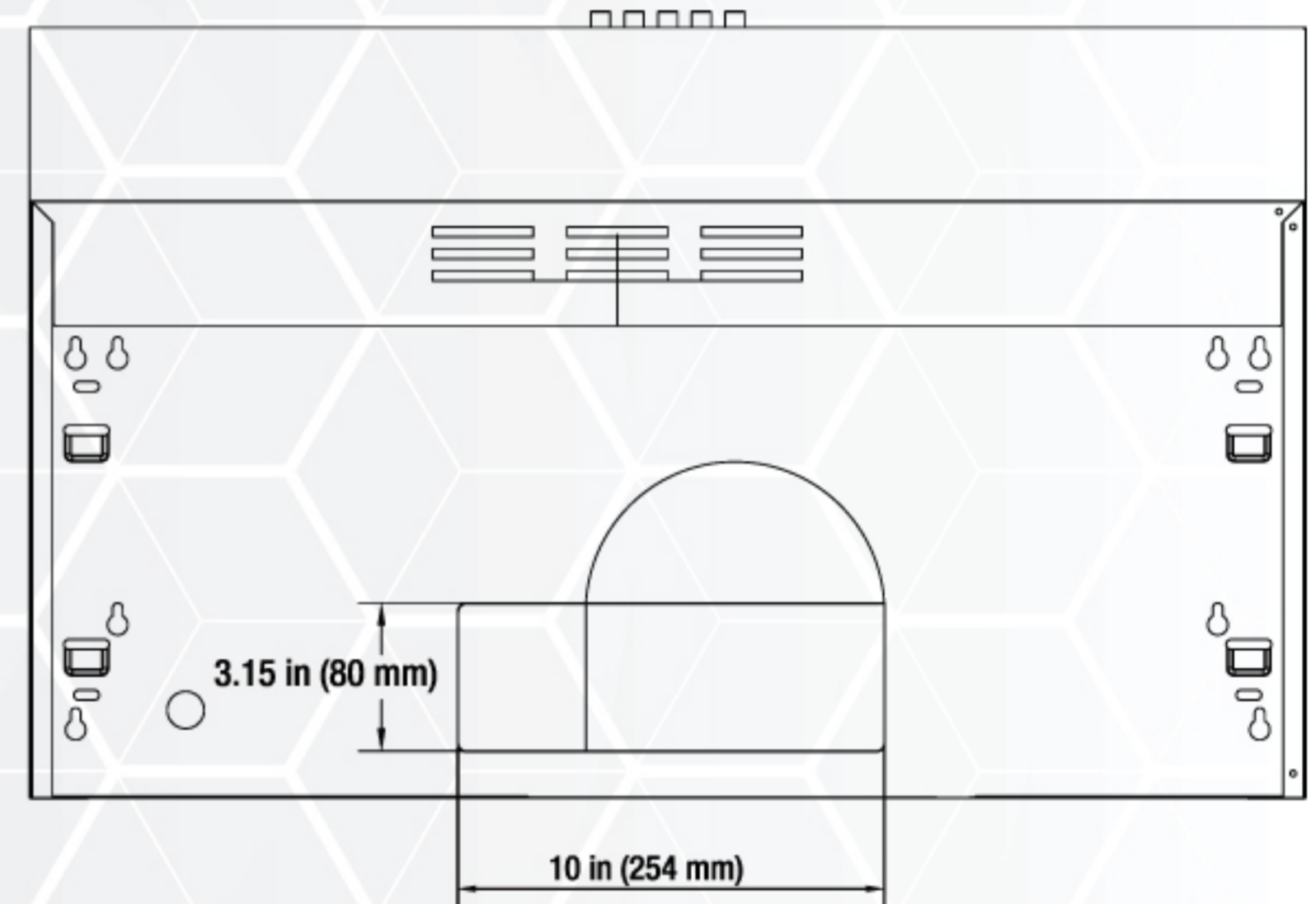
- For outdoor or indoor vented installations (Ducted or non-Ducted)
- Powerful 320 CFM motor and energy-efficient LED lighting
- Includes 2 dishwasher-safe aluminum filters and 1 charcoal filter
- AC 120V, 60Hz
- Mounting height: 18 inch to 24 inch from cooktop to bottom of hood
- Includes aluminum grease filter
- **Warranty:** 1 year



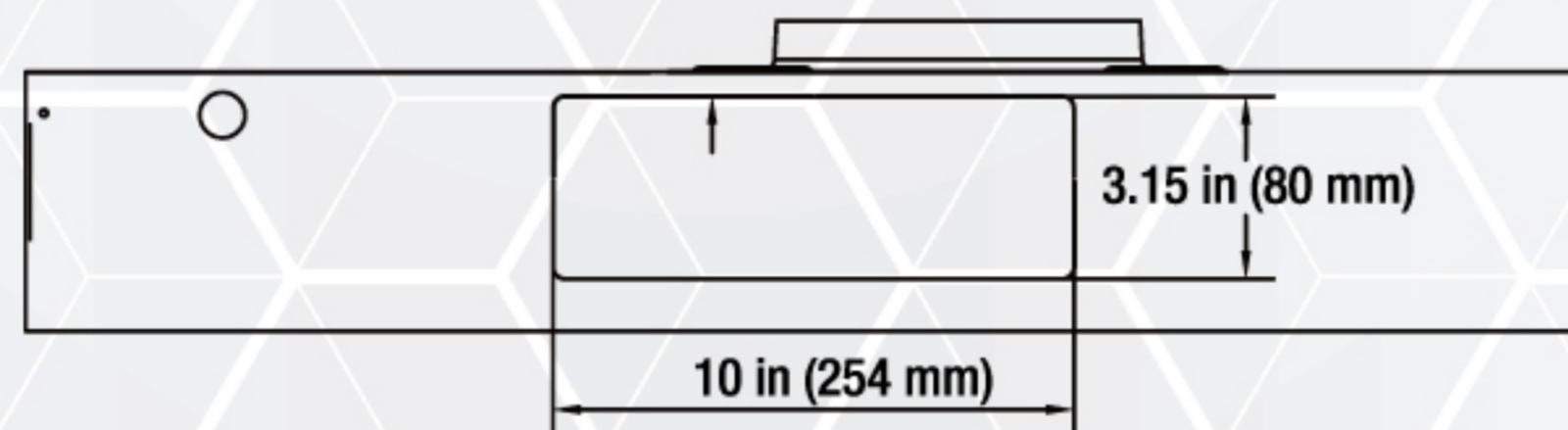
DIMENSIONS



TOP



BOTTOM



SPECIFICATIONS

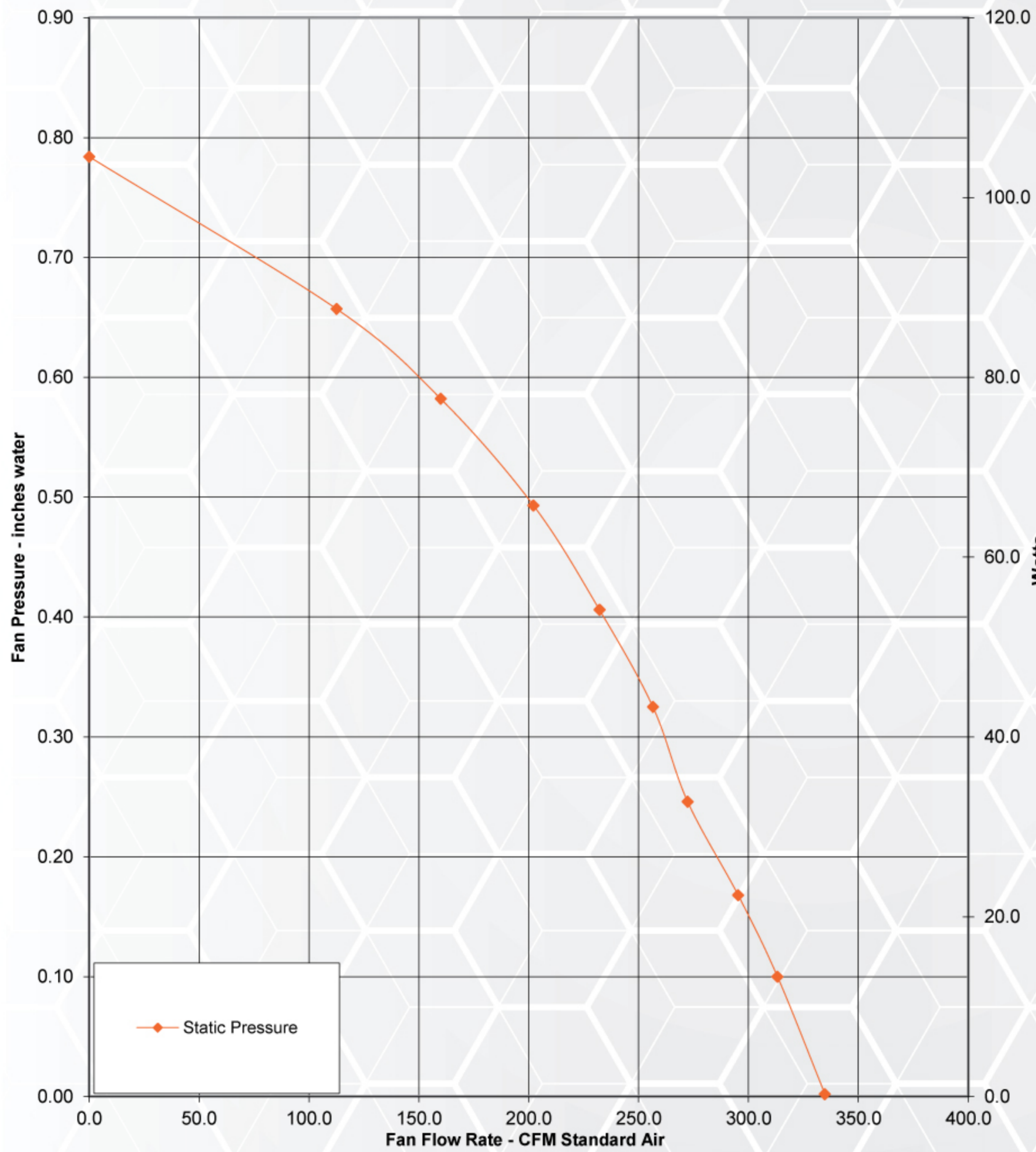
PERFORMANCE		
Duct Orientation	Size	Damper
Vertical - Rectangular	3.15 in x10 in	Included
Horizontal - Rectangular	3.15 in x10 in	Included
Round - Vertical	7 in.	Included

FEATURES	
High speed CFM	320
Middle speed CFM	220
Low speed CFM	120
Control type	3 speeds push button
Lighting	2x5W GU10
Grease Filters	Open Mesh (Qty. 2)

RANGEHOOD FANS

OD-RH320

FAN CURVE GRAPH



COLOUR OPTIONS AVAILABLE

-  OD-RH320-WH (WHITE)
-  OD-RH320-SN (SATIN NICKEL)

Reference	QTY.	Remarks	Project:
			Location:
			Architect:
			Engineer:
			Contractor:
			Submitted by:
			Date:

ORTECH reserves the right to modify at any time, without notice, any or all of our product's features, designs, components and specifications to meet market changes.