

Speed Controllers

MODEL ODC-SCK



HIGHLIGHTS

Using an AC fan, with this speed control you have intermittent and continuous ventilation. The sensor mounts into the fan with two pre-drilled holes in a standard receptacle.

- Accessible speed adjustment
- Simple plug fits into fan housing
- Can be installed with a new or existing fan
- Allows for continuous adjustable speed control as per Ashrae 62.2, with high speed override

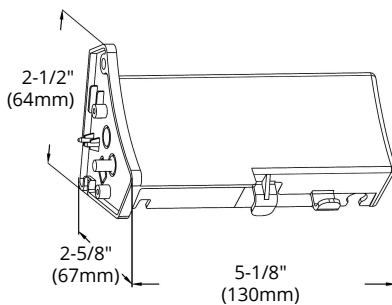
COMPATIBLE FANS (SOLD SEPARATELY)



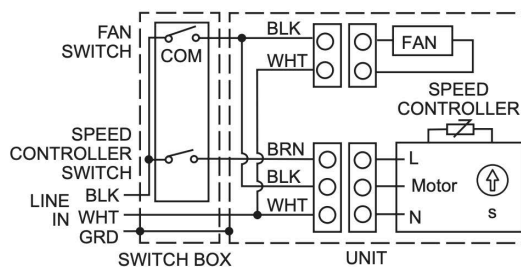
ODC-1008/8003

Next Generation
Compact Series Fans

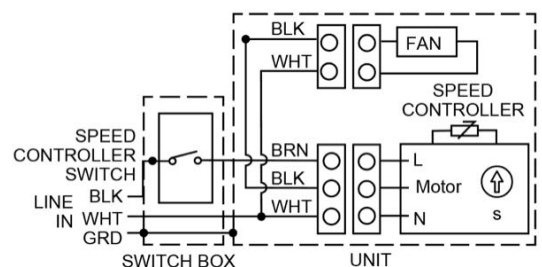
DIMENSIONS & WIRING DIAGRAM



Wiring Diagram



Single Switch Operation



Reference	QTY.	Remarks	Project:
			Location:
			Architect:
			Engineer:
			Contractor:
			Submitted by:
			Date:

ORTECH reserves the right to modify at any time, without notice, any or all of our product's features, designs, components and specifications to meet market changes.