

MODEL ODC-SCK



WARNING

WARNING — THE INSTALLATION MUST BE CARRIED OUT BY A QUALIFIED ELECTRICIAN.

1. Speed Controllers can only be installed by a qualified electrician
2. Before installation or maintenance, please read through this instruction manual
3. Fire Dampers can only be installed by a qualified electrician

CAUTION

PLEASE READ INSTRUCTION BEFORE COMMENCING INSTALLATION AND RETAIN FOR FUTURE REFERENCES.

Failure to do so can cause death or injury, or damage to property.

If in any doubt about the installation or use of this product, consult a competent electrician.

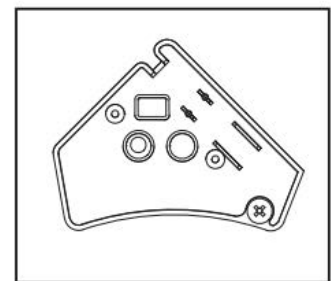
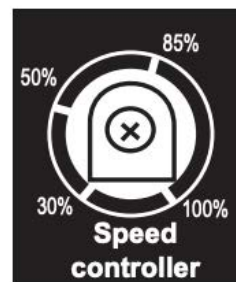
OPERATION

Use a 2 function wall control. See the Wiring Diagram of the Installation Guide Section in this manual for details.

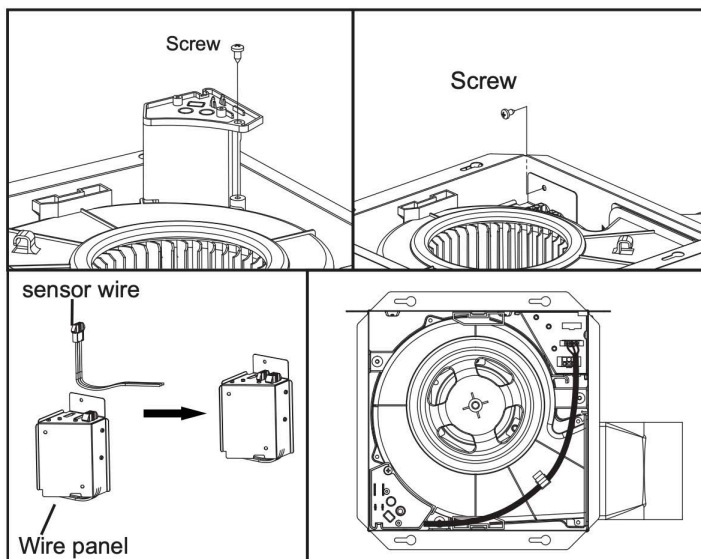
Set the motor speed according to diagram as you need.

Fan runs on low speed when speed control switch is ON and boosts to high speed when fan switch is ON.

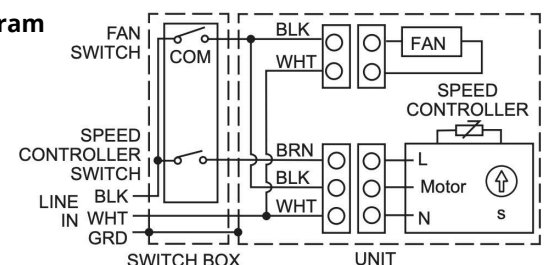
Max airflow is HVI Certified performance based on HVI Procedures 915, 916, and 920. Other airflow reference performance is based on HVI Procedures 915,916, and 920.



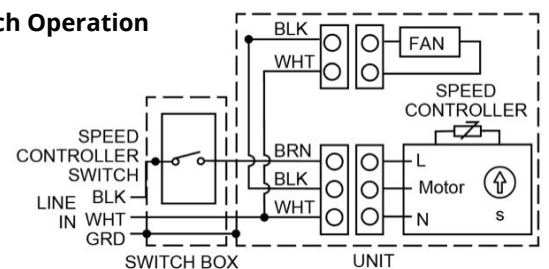
INSTALLATION GUIDE



Wiring Diagram



Single Switch Operation



1. Remove the Grille Assembly from the fan
2. Put power box in the place shown on the diagram above, fixed it with screws
3. Remove the wire panel, insert the sensor wire into wire panel, install wire panel back to the housing
4. Insert the plug from the box into the suitable wire panel.
Connect electrical wiring while referring to the wiring diagram. Fix the wire to blower
5. Install Grille Assembly to the fan