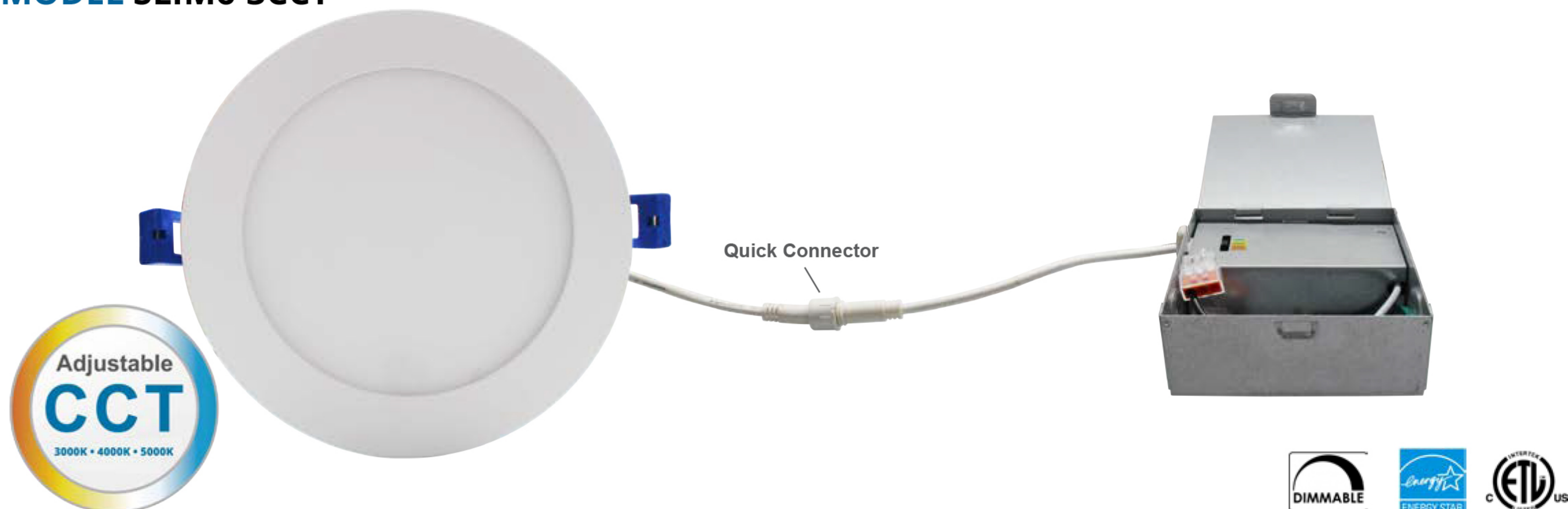


# LED Slim Lights

## MODEL SLIM6-3CCT



### HIGHLIGHTS

#### 6" Round LED Slim Downlight

- Edge-lit technology, no glare or dark spots, instant-on
- No existing recessed housing or junction box required
- Dimming: TRIAC down to 10%
- I.C. rated for direct contact with insulation
- Suitable for DAMP LOCATION
- Rated for a long life - over 50,000 hours
- 3-color field selectable CCT - 3000K, 4000K, 5000K



### DECORATIVE TRIM RINGS



### SPECIFICATIONS

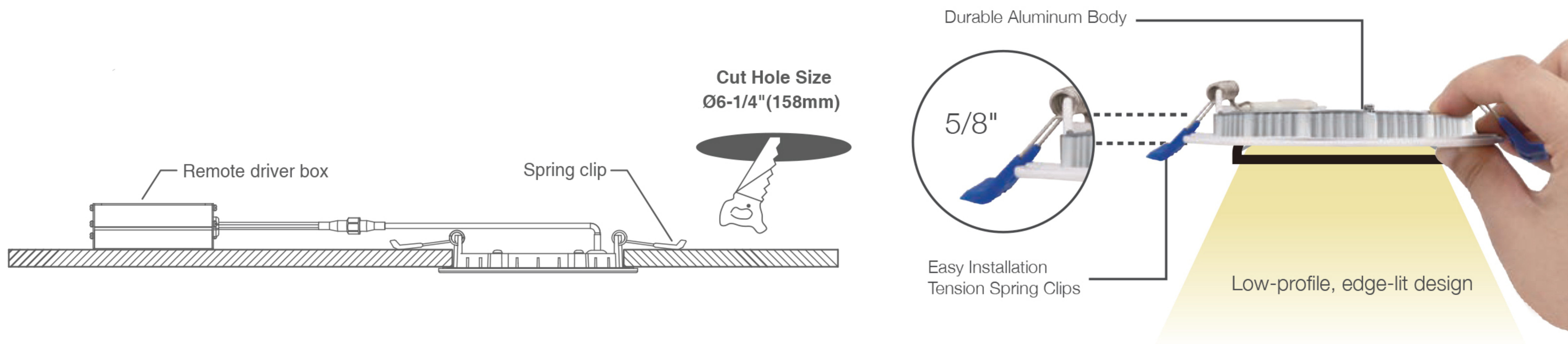
<b>Model</b>	<b>SLIM6-3CCT</b>
<b>Wattage</b>	15W
<b>Default Driver Input</b>	AC120V, 60HZ
<b>Light Output(lm)</b>	1100lm
<b>Color Temperature</b>	3000K, 4000K, 5000K
<b>CRI</b>	80Ra
<b>Dimming</b>	Triac Dimming
<b>Power Factor</b>	>0.9
<b>Approved Location</b>	Damp Location
<b>Air Tight</b>	Yes
<b>Operating Temperature</b>	(-4°F~104°F) -20~40°C
<b>Beam Angle</b>	120°

### PACKAGE

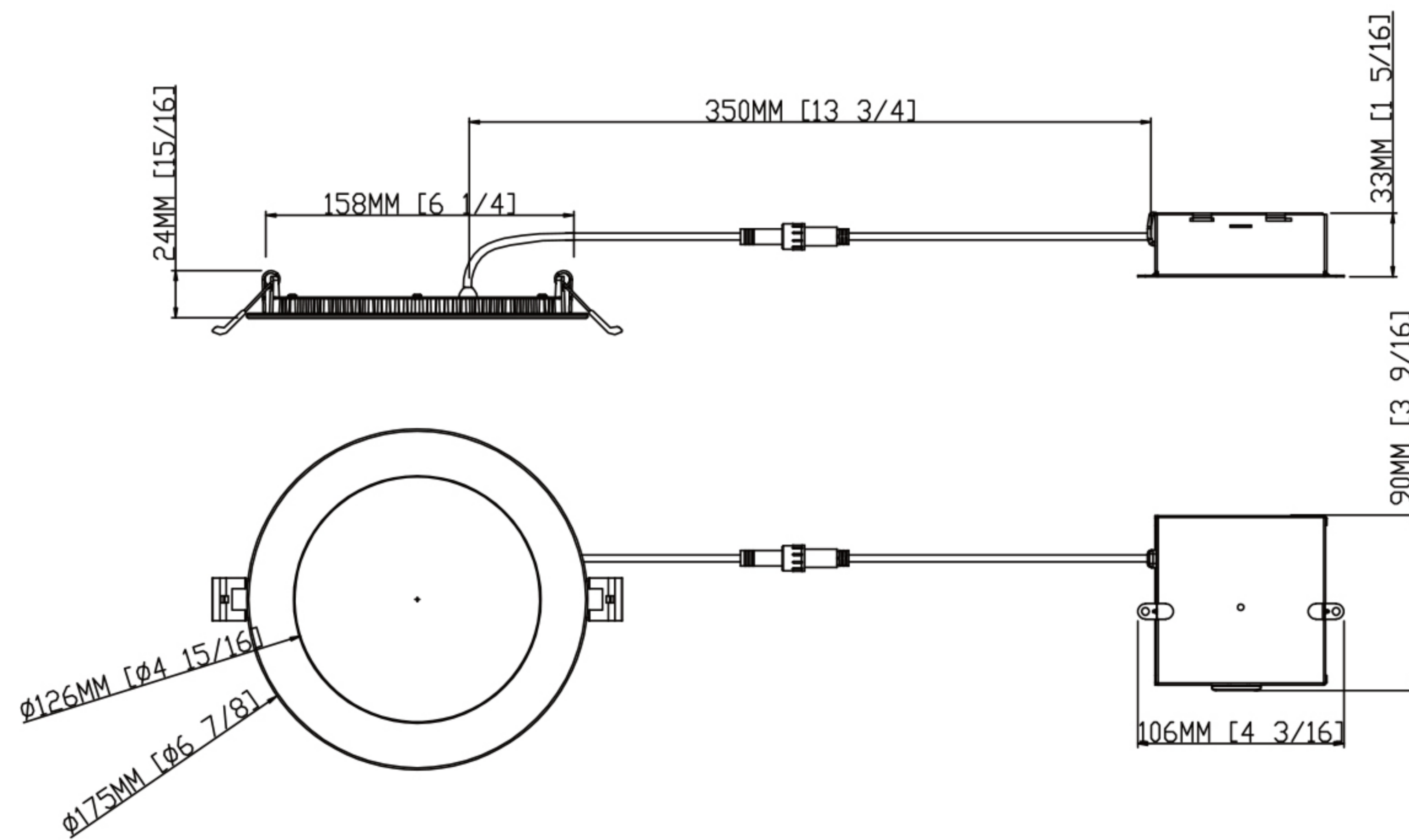
<b>Weight.(g)</b>	366g
<b>Qty/CTN (pcs)</b>	18pcs/CTN
<b>Box Dimension</b>	555*375*190mm
<b>Gross Weight</b>	8.78kg/CTN



### MOUNTING



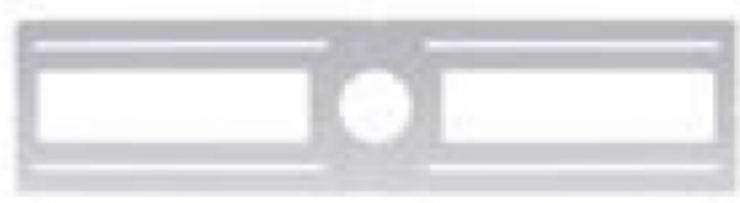
### DIMENSIONS



### ACCESSORIES (SOLD SEPARATELY)

#### Mounting Plates

##### PLATE26-6



6" New Construction Plate made up of galvanized steel for recessed lighting



##### PLATE6-HB

Galvanized steel Mounting Plate with hanger bars for ORTECH 6" LED lights

#### Flexible Connector

##### CORD-B24/B120



Flexible Connector 2FT/5FT/10FT/20FT

Reference	QTY.	Remarks	Project:
			Location:
			Architect:
			Engineer:
			Contractor:
			Submitted by:
			Date:

ORTECH reserves the right to modify at any time, without notice, any or all of our product's features, designs, components and specifications to meet market changes.