

LED VAPOUR TIGHTS

VT-40W-3CCT+W

HIGHLIGHTS

40W LED vapour tight suitable for wet locations

- Slotted iron Board, excellent heat dissipation
- Modular installation, save labor cost
- Suitable for all commercial needs
- IP Rating 66 - rated for wet location
- 5 year warranty



DIMENSIONS



Model	LxWxH (mm/inch)
VT-40W-3CCT+W	1200*95*83/47.92*3.74*3.26

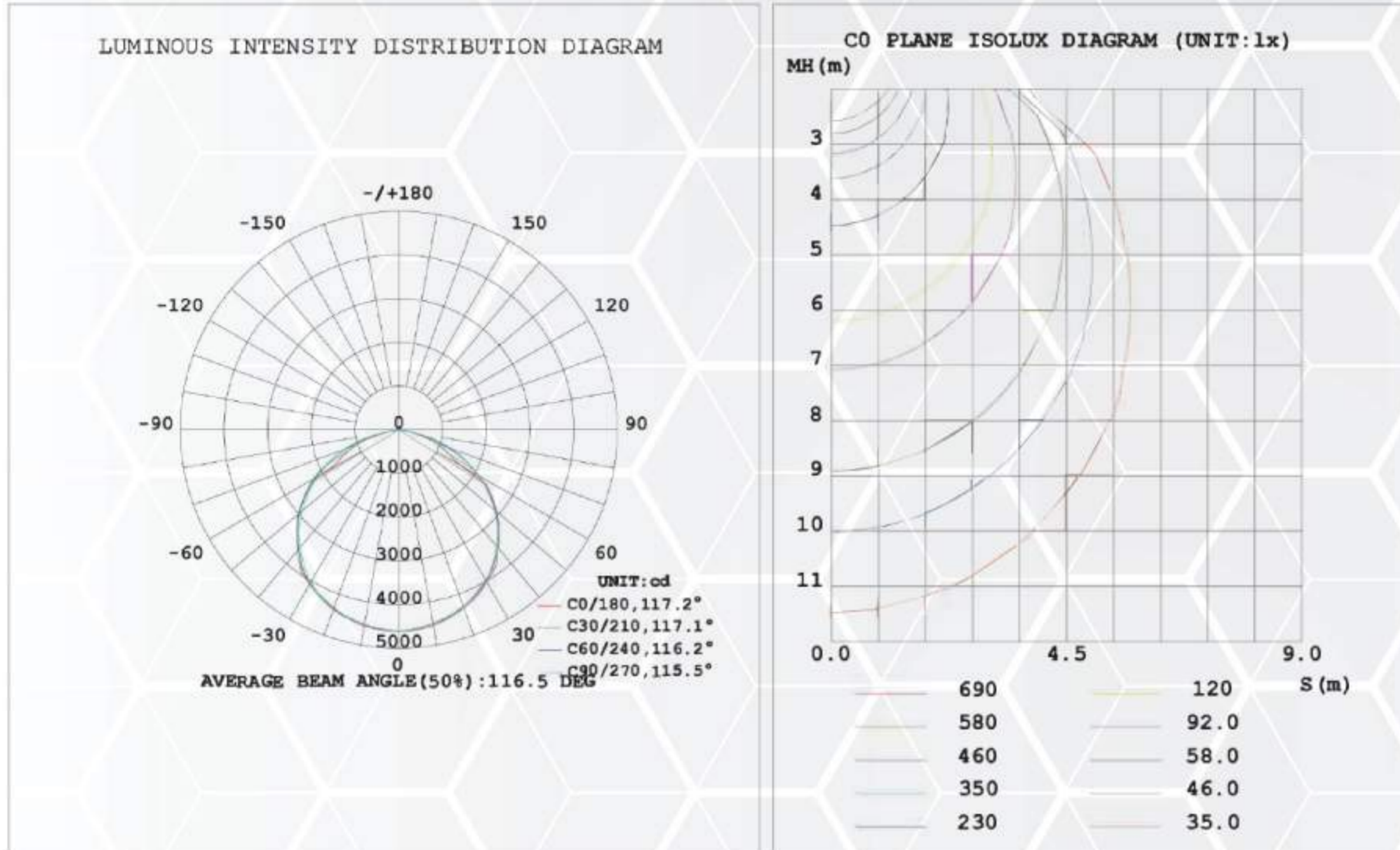
SPECIFICATIONS

Model	VT-40W-3CCT+W
Wattage	30W 40W 50W
Voltage	AC100-347V
Lumens	3900lm 5200lm 6500lm
Beam Angle	120°
Lifetime	50000 hours
Dimmable	Yes(only 0-10v dimming available)
Warranty	5 years
Grade of Protection	IP66
Luminous Efficiency	130LM/W
Colour Temp.	3500K / 4000K / 5000K
Location	Wet Locations
Sensor Detection Height (MAX):	13 ft
Operating Temp.	-20°C ~ +40°C

LED VAPOUR TIGHTS

VT-40W-3CCT+W

TESTING REPORT



ACCESSORIES



VT-SUS-KIT

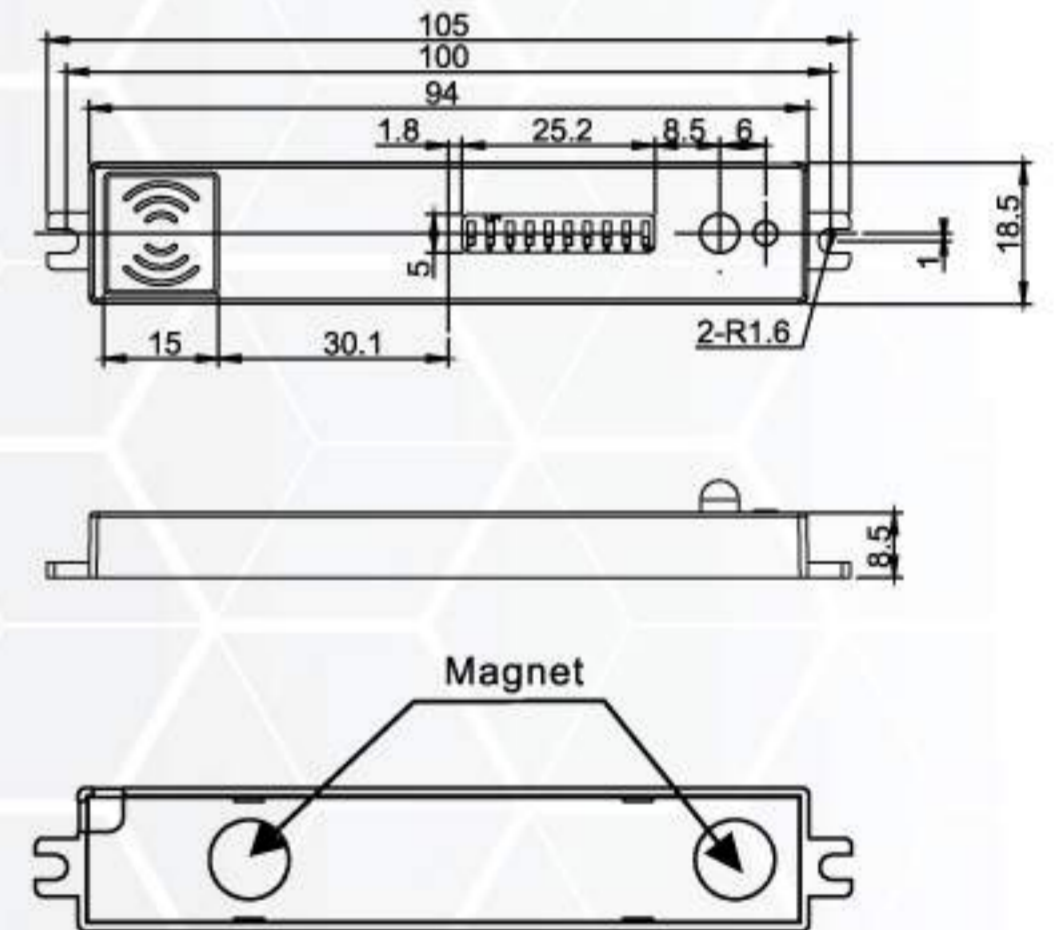
BI-LEVEL DAYLIGHT HARVEST MICROWAVE SENSOR



SENSOR

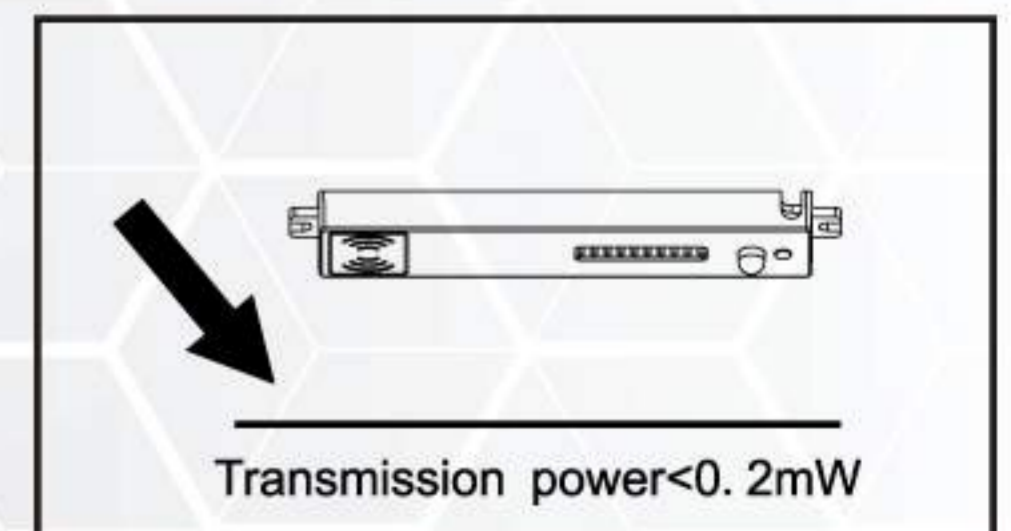


RC-100 (OPTIONAL)



SPECIFICATIONS

Power supply	12V-24V DC, >50mA
HF System	5.8GHz±75MHz
Dim control output	0-10V, max. 25mA sinking current
Detection radius/angle	Max 17ft.(5.2m)/360°
Mounting height	Max 13ft(4m)
Remote range	50ft. (15m) indoor, no backlight
Humidity	Max. 95% RH
Temperature	-40°F ~ 158°F (-40°C ~ 70°C)



NOTE: The high-frequency output of this sensor is < 0.2mW—that is just one 5000th of the transmission power of a mobile phone or the output of a microwave oven.

LED VAPOUR TIGHTS

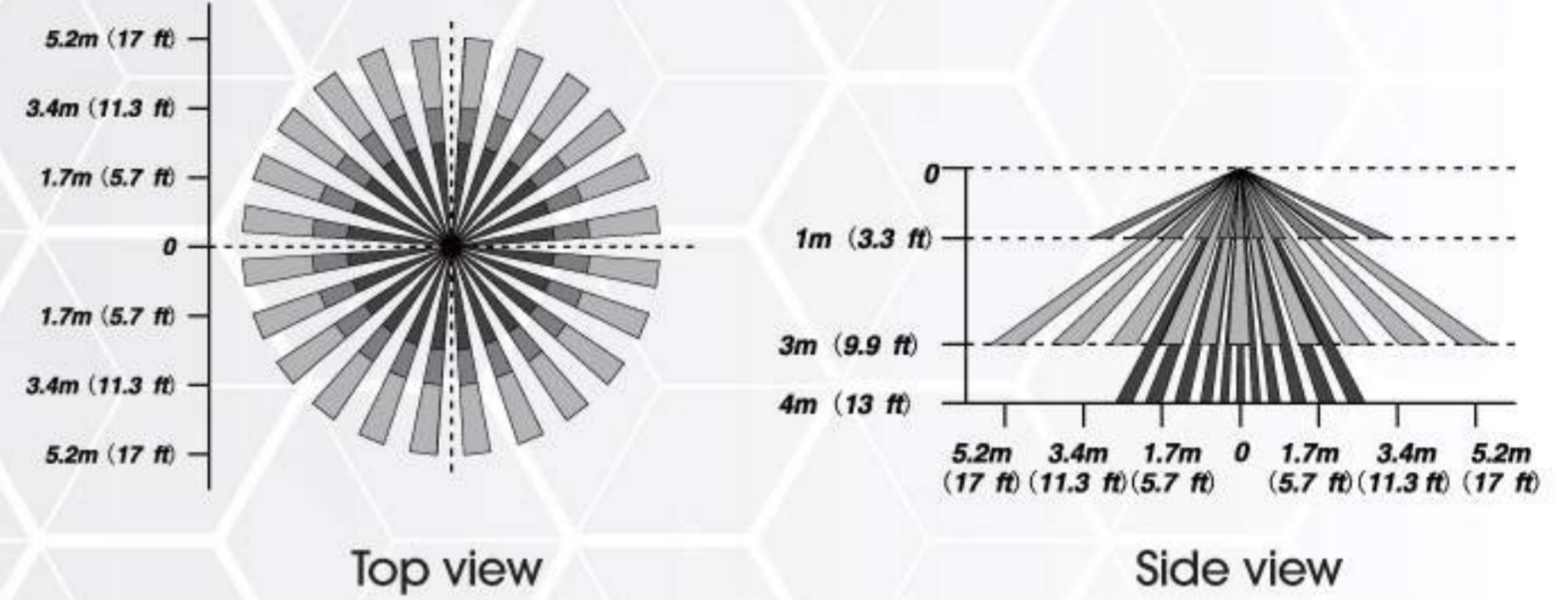
VT-40W-3CCT+W

BI-LEVEL DAYLIGHT HARVEST MICROWAVE SENSOR

UTILIZING FIELD AND INTRODUCTION

It is a moving object sensor that can detect range of 360° and its working frequency is 5.8GHz. The advantage of this product is stable working state (stable working temperature: -40°C+ 70°C), It adopts a microwave sensor (high-frequency output <0.2mW), so that it is safe and performs better than infrared sensor.

SENSOR COVERAGE



FUNCTION AND OPTIONS

The microwave sensor to achieve tri-level dimming control, for same areas that require a light change notice before switch off. It offers 3 levels of the light Control : 100%—dimming light (0, 10%,30%,50%)—off;and 2 periods of selectable waiting time: motion hold-time and stand-by time. Selectable daylight threshold and choice of detection area.



The light will not switch on when natural light is sufficient, even there is motion detected.



The light switches on automatically with presence when natural light is insufficient.



The light turns on at full or dims to maintain the lux level. The light output regulates according to the level of natural light available.



The light dims to stand-by period after hold-time and stays on selected minimum dimming level.



The light switches off completely after the stand-by period.

WARNING

NOTE: Warm up time is 15seconds. After the sensor connects input power first time, the light will keep on 15 seconds,then go to dimming to work normally.

NOTE: Factory Default Setting: 100% sensitivity, Hold on time: 10 seconds, Daylight sensor is 30lux, Dimming level:30%, Dimming time: 60minutes.

NOTE: Any setting changed by DIP Switch or remote control, the led light that sensor connect will on/off as confirm.

Reference	QTY.	Remarks	Project:
			Location:
			Architect:
			Engineer:
			Contractor:
			Submitted by:
			Date:

ORTECH reserves the right to modify at any time, without notice, any or all of our product's features, designs, components and specifications to meet market changes.