

# LED Slim Lights

## MODEL SLIM4CONT-3CCT (6PCS IN BOX)



### HIGHLIGHTS

- 4" LED Slim Contractor Pack (6 pieces in one box) — 4" Round LED Slim Light with driver in connection box
- Depth is 1/2", and for the best possible Layout Depth Flexibility, it should be installed right under joists
- IC rated for direct contact with insulation, recessed housing not required
- Easy and Fast installation — install directly into ceiling with clips
- Rated for damp location where not directly exposed to water
- Class 2 transformer in junction box is included

### MOUNTING

- Cut hole in ceiling and snap fixture in Opening with attached spring clips
- Ceiling clearance required: 1"

### SPECIFICATIONS

Model	<b>SLIM4CONT-3CCT</b>
Wattage	12W
Voltage	120V AC
Lumens	900 lmn
Beam Angle	120°
Lifetime	50000 hours
Cutout	4-1/4" (108 mm)
CRI	80
Dimmable	Yes
Rating	IC Rated / Indoor use / for Damp location
Grade of Protection	IP 44
Air Tight	Yes
Application	Recessed ceiling / Balcony / Overhanging eaves
Colour Temp.	3000K (Warm White) / 4000K (Natural White) / 5000K (Cool White)
Operating Temp.	-20°C ~ +40°C
Warranty	5 years

### EXPANSION FUNCTION



#### 3CCT CHANGEABLE

3000K (Warm White)    4000K (Natural White)    5000K (Cool White)

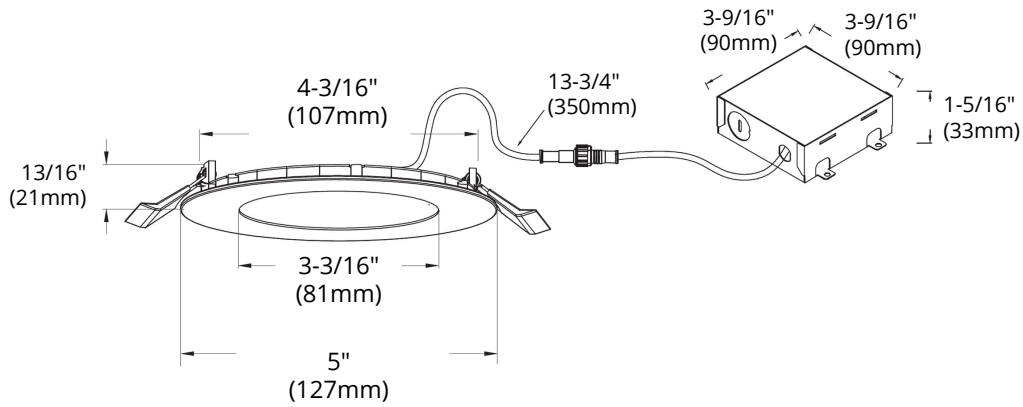


Changeable 3000K/4000K/5000K controlled by 3CCT switch

Change CCT easily —  
switch on back to  
change CCT

## MODEL SLIM4CONT-3CCT (6PCS IN BOX)

### DIMENSIONS

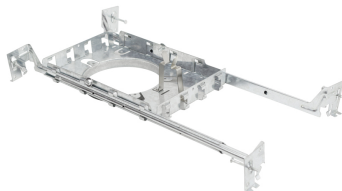


### Trims (sold separately)



SLIM4-RINGBK SLIM4-RINGSN SLIM4-RINGCH SLIM4-RINGVB SLIM4-RINGCBK SLIM4-RINGCP SLIM4-RINGBR

### Accessories (sold separately)



**PLATE4-HB**

Mounting Plate for  
ORTECH 4" Slim Lights



**PLATE26-4**

New Construction Plate for  
ORTECH 4" Slim Lights



**CORD A24/A120**

Flexible Connector  
2FT/5FT/10FT/20FT

## MODEL SLIM4CONT-3CCT (6PCS IN BOX)

### COMPATIBLE DIMMER LIST

Brand	Series	Model	Load	Dimmability
	Ariadni	AYCL-153P	150w	10%-100%
	Diva	DV-600PR	600W	1%-100%
	Diva	DVCL-153P	150W	10%-100%
	Maestro	MACL-153MH	600W	10%-100%
	Maestro Wireless	MRF2-6CL	150W	10%-100%
Lutron	Rotary	D-600P	600W	10%-100%
	Electronic(ELV)	NTELV-300P	600W	10%-100%
	Skylark	S-600P	600W	10%-100%
	Skylark Contour	CT-600P	600W	1%-100%
	Skylark Contour	CTCL-153P	150W	10%-100%
	Toggler	TG-600P	600W	10%-100%
	Toggler	TCCL-153P	150W	10%-100%
Leviton	Sureslide	6633	600W	OK
	Sureslide Decora	6674	600W	20-100%
	Trimatron	6602	600W	20-100%
	ILLVMATECH	IPL06	600W	OK
Legrand	Adorne	ADTP703TU	700W	20-100%
	Harmony	H703PTW	700W	OK
Cooper	Aspire	9540	1000W	OK
	Devine	DAL06P	300W	OK

Reference	QTY.	Remarks	Project:
			Location:
			Architect:
			Engineer:
			Contractor:
			Submitted by:
			Date:

ORTECH reserves the right to modify at any time, without notice, any or all of our product's features, designs, components and specifications to meet market changes.