

MODEL FRAME-2x2-3CCT

WARNING



WARNING — THE INSTALLATION MUST BE CARRIED OUT BY A QUALIFIED ELECTRICIAN.

1. Please keep the LED Panel Mounting Kit Frames away from any corrosive substance, and please use dry cloth when you clean it
2. DO NOT use this LED Panel Mounting Kit Frame other than its intended purpose
3. LED Panel Mounting Kit Frames can only be installed by a qualified electrician
4. Please read this instruction manual thoroughly before installation

CAUTION

PLEASE READ INSTRUCTION BEFORE COMMENCING INSTALLATION AND RETAIN FOR FUTURE REFERENCES.

Electrical products can cause death or injury, or damage to property.

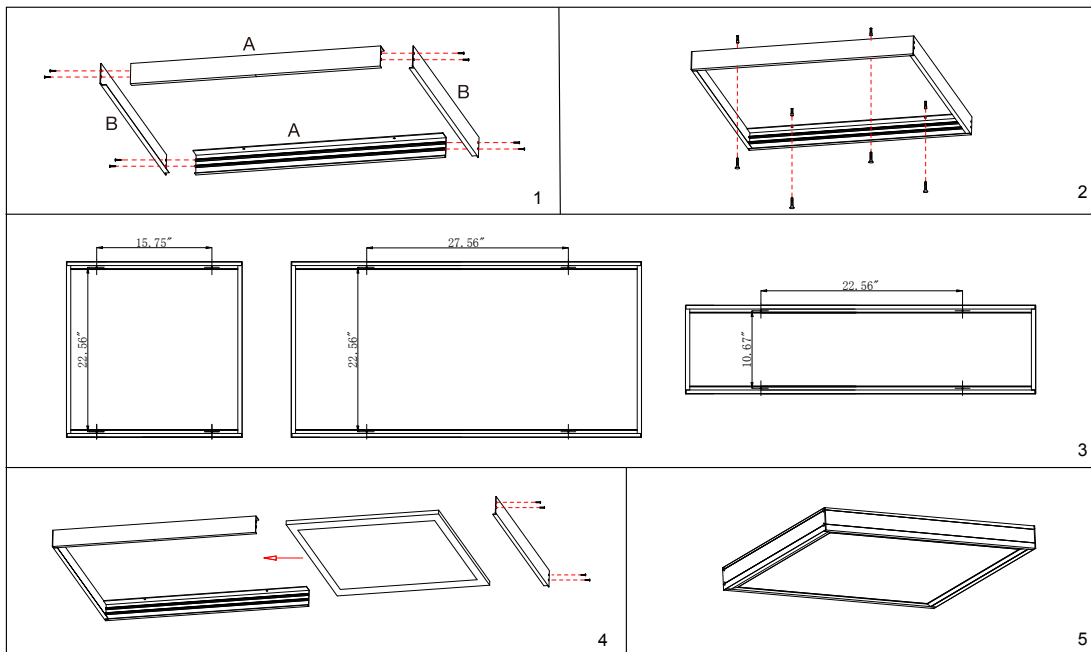
If in any doubt about the installation or use of this product, consult a competent electrician.

INSTALLATION GUIDE

Accessories List

Frame A		2pcs
Frame B		2pcs
Cross countersunk head pointed tail self tapping screw (D=4mm x L=8mm)		8pcs
Anchor		4pcs
Cross countersunk head		4pcs

Ceiling Installation



1. Remove accessories from the package carefully. Put together the four-piece surface mount kit by using the supplied ST4*8 Cross countersunk head self tapping screws. (Fig 1)
2. Drill 4 holes in the ceiling (using Fig 3 for hole spacing) and place the anchors into the holes. Then fix with ST4.2*30 Cross countersunk head self tapping screws. (Fig 2)
3. Unscrew and remove one piece of the frame B and slide panel fixture into the surface mount frame. (Fig 4)
4. Make electrical connection from the incoming power to the LED fixture driver.
5. Reattach the removed side from step 3 and then the installation is complete. (Fig 5)

ORTECH reserves the right to modify at any time, without notice, any or all of our product's features, designs, components and specifications to meet market changes.