

LED Linear High Bays

MODEL 2HB165-3CCT+W+S | 4HB250-3CCT+W+S

WARNING



WARNING — THE INSTALLATION MUST BE CARRIED OUT BY A QUALIFIED ELECTRICIAN.

1. LED Linear High Bays are not suitable for using in wet locations
2. Please keep the LED Linear High Bays away from any corrosive substance, and please use dry cloth when you clean it
3. LED Linear High Bays can only be installed by a qualified electrician
4. Before installation or maintenance, please disconnect the power to prevent electric shock



CAUTION

PLEASE READ INSTRUCTION BEFORE COMMENCING INSTALLATION AND RETAIN FOR FUTURE REFERENCES.

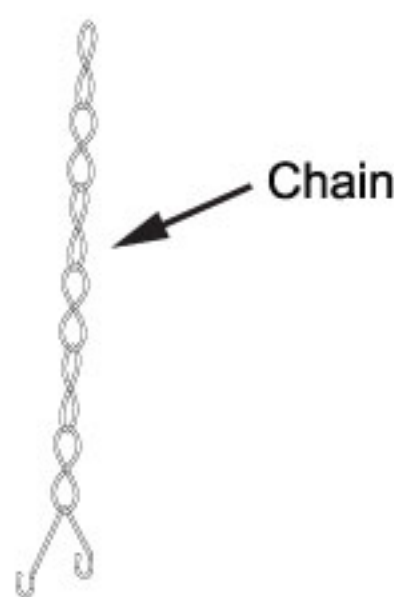
Electrical products can cause death or injury, or damage to property.

If in any doubt about the installation or use of this product, consult a competent electrician.

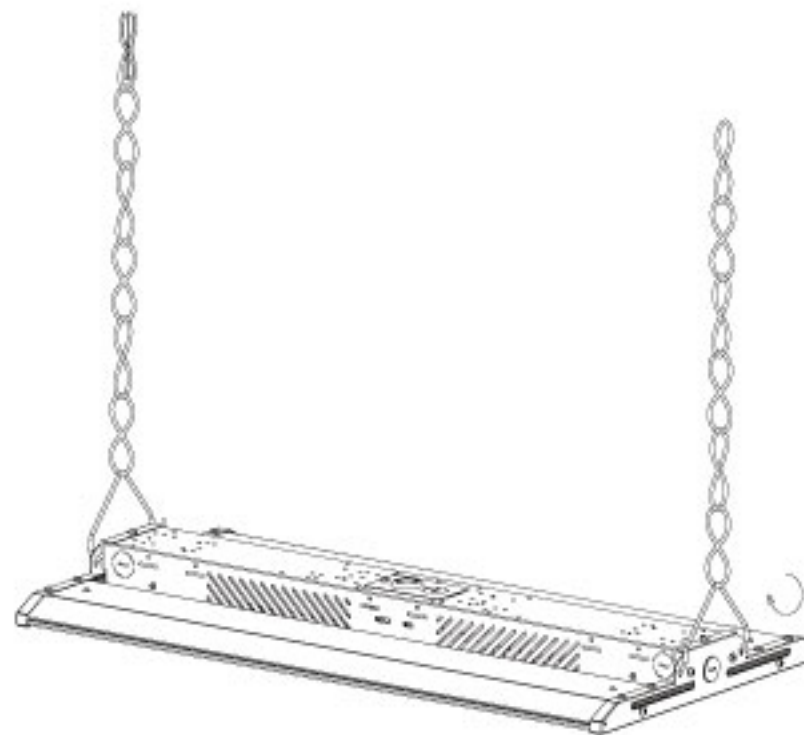
INSTALLATION GUIDE

Chain Installation

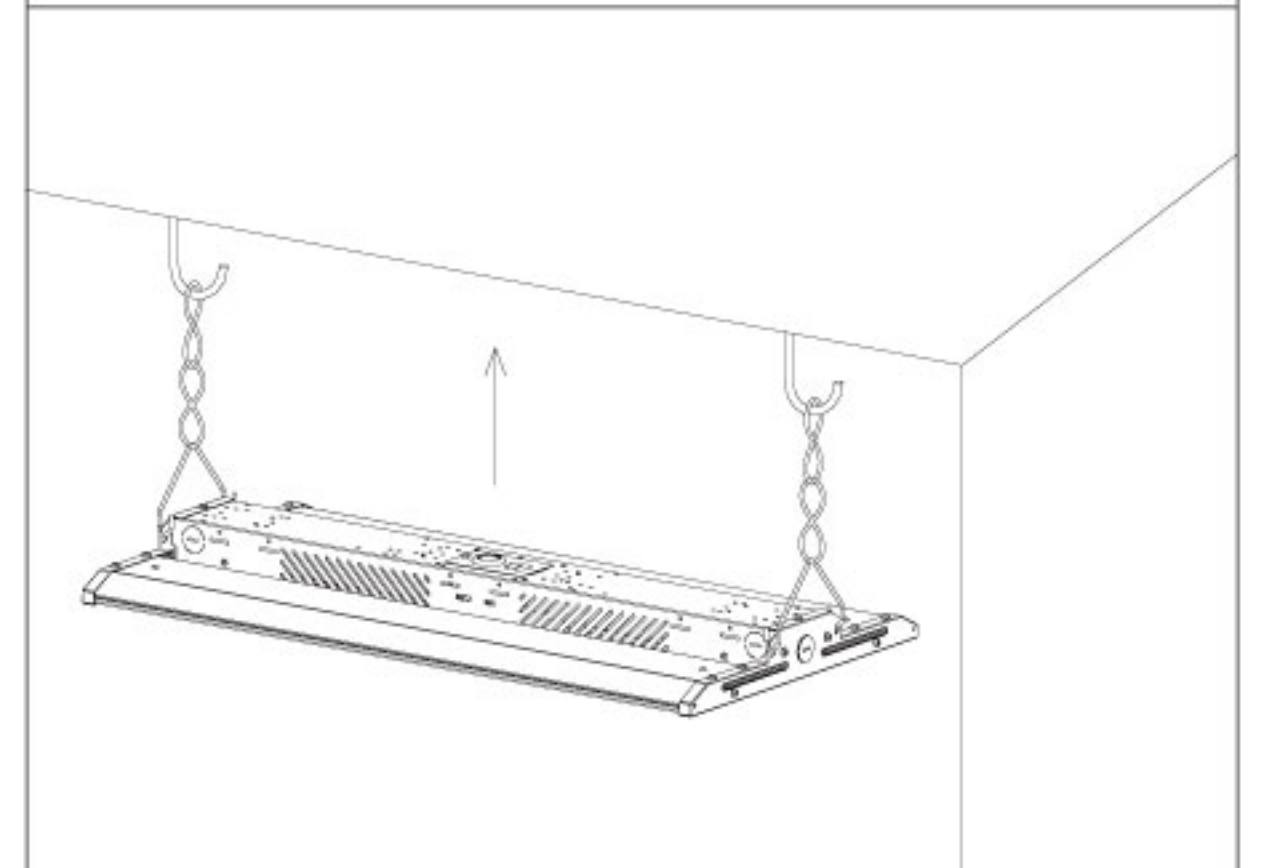
1. Hook the chain as below pic.



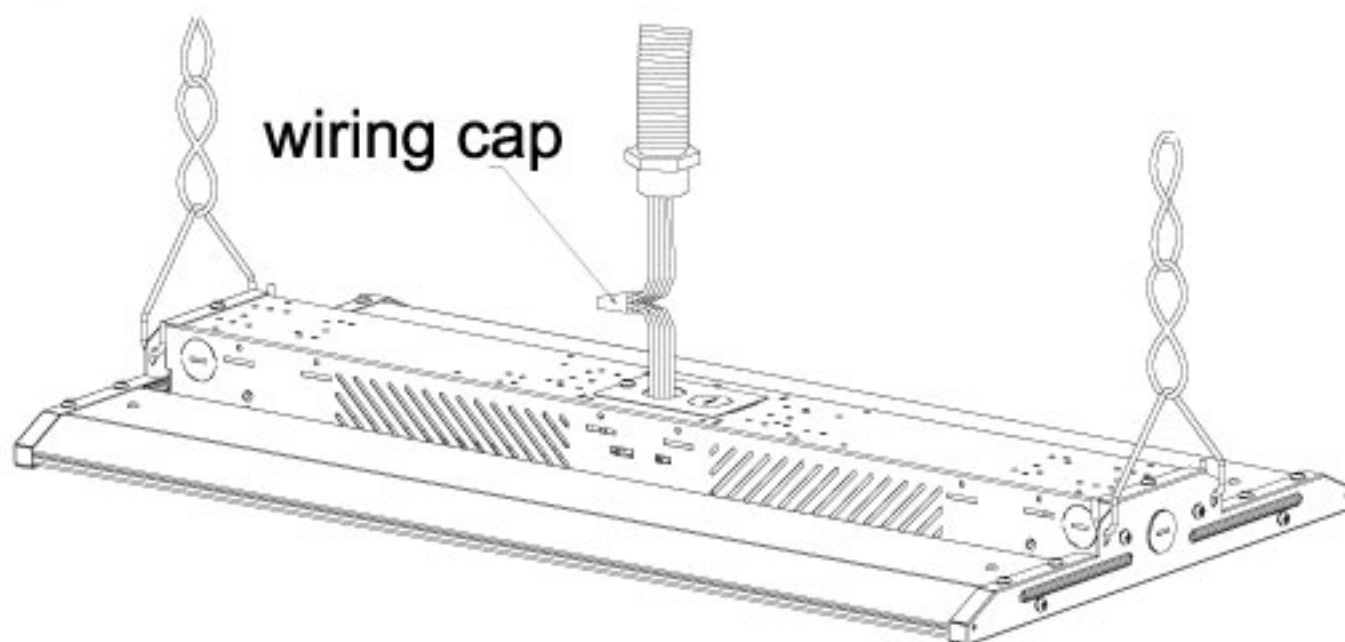
2. Insert the hook into the slotted holes, as shown below.



3. Hook up the chain on the ceiling anchor.



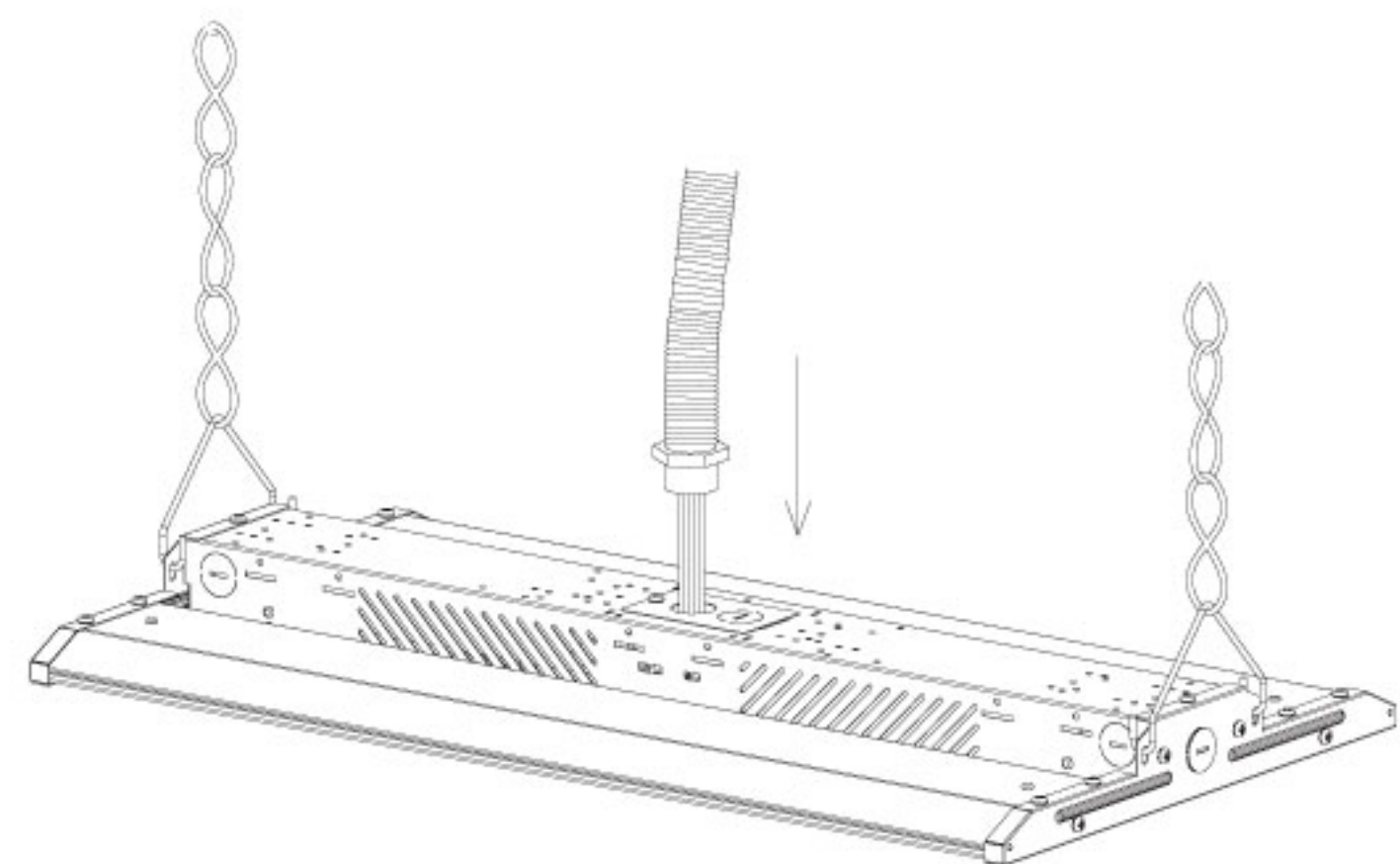
4. Turn off power, and make wiring connections with terminal cap (see wiring instruction below).



LAMP

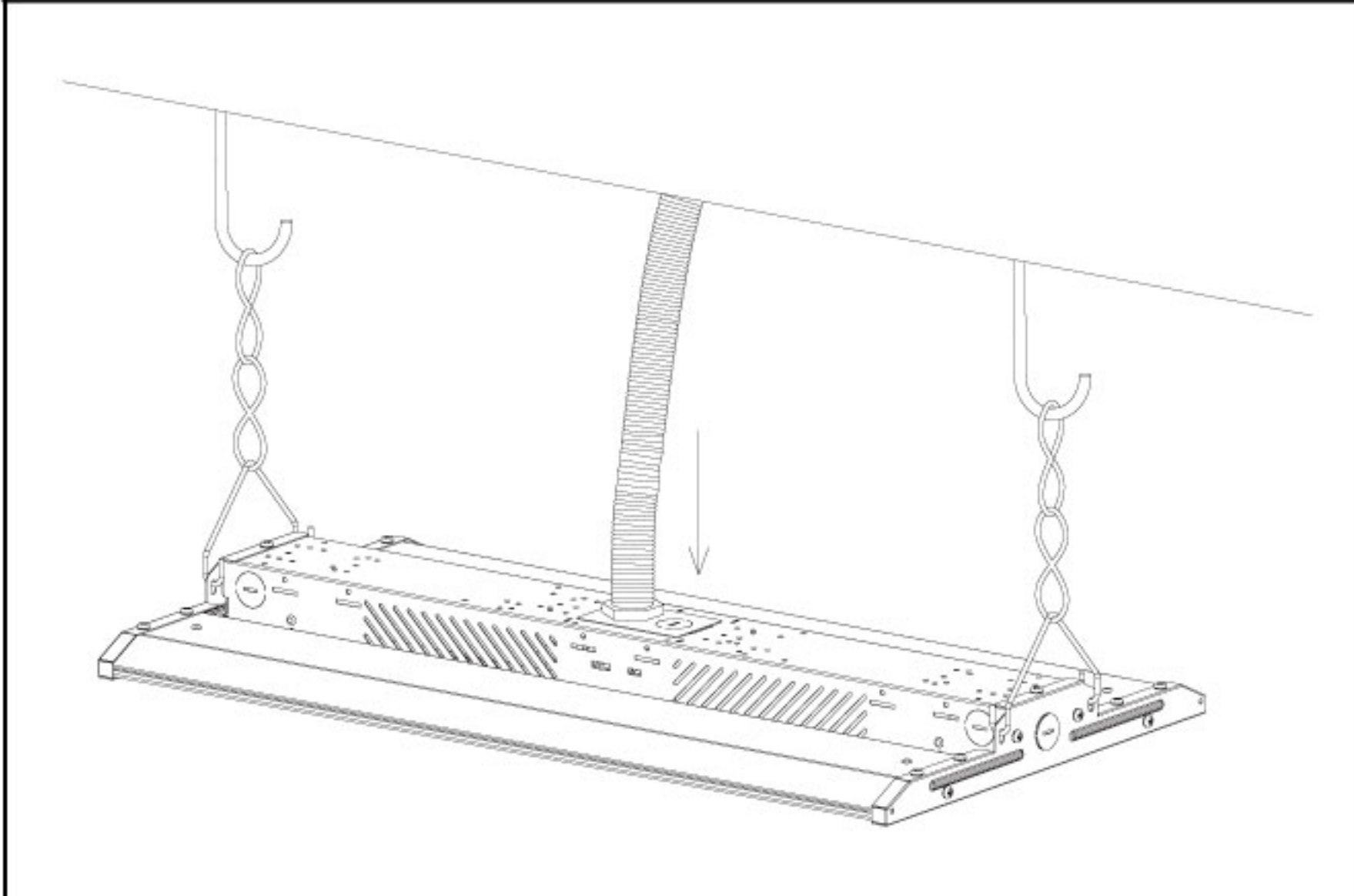
Drive Black L	●	AC L
White N	●	AC N
Green GND	●	Green GND
Purple DIM+	●	Purple DIM+
Pink DIM-	●	Pink DIM-

5. Insert the terminal cap and wires into the driver box.

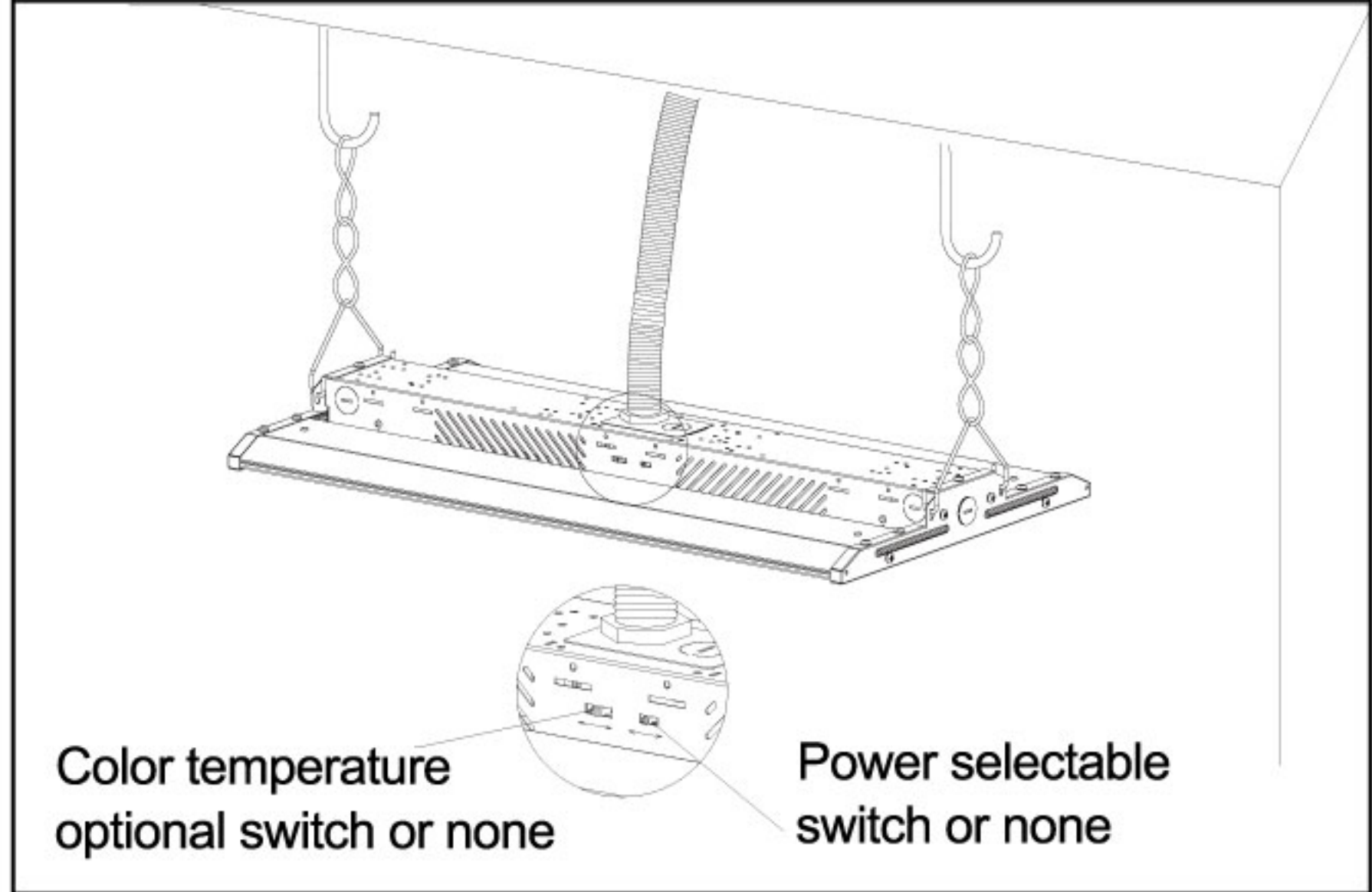


INSTALLATION GUIDE

6. Insert the wire terminal joint to the wire entry. Installation completed.

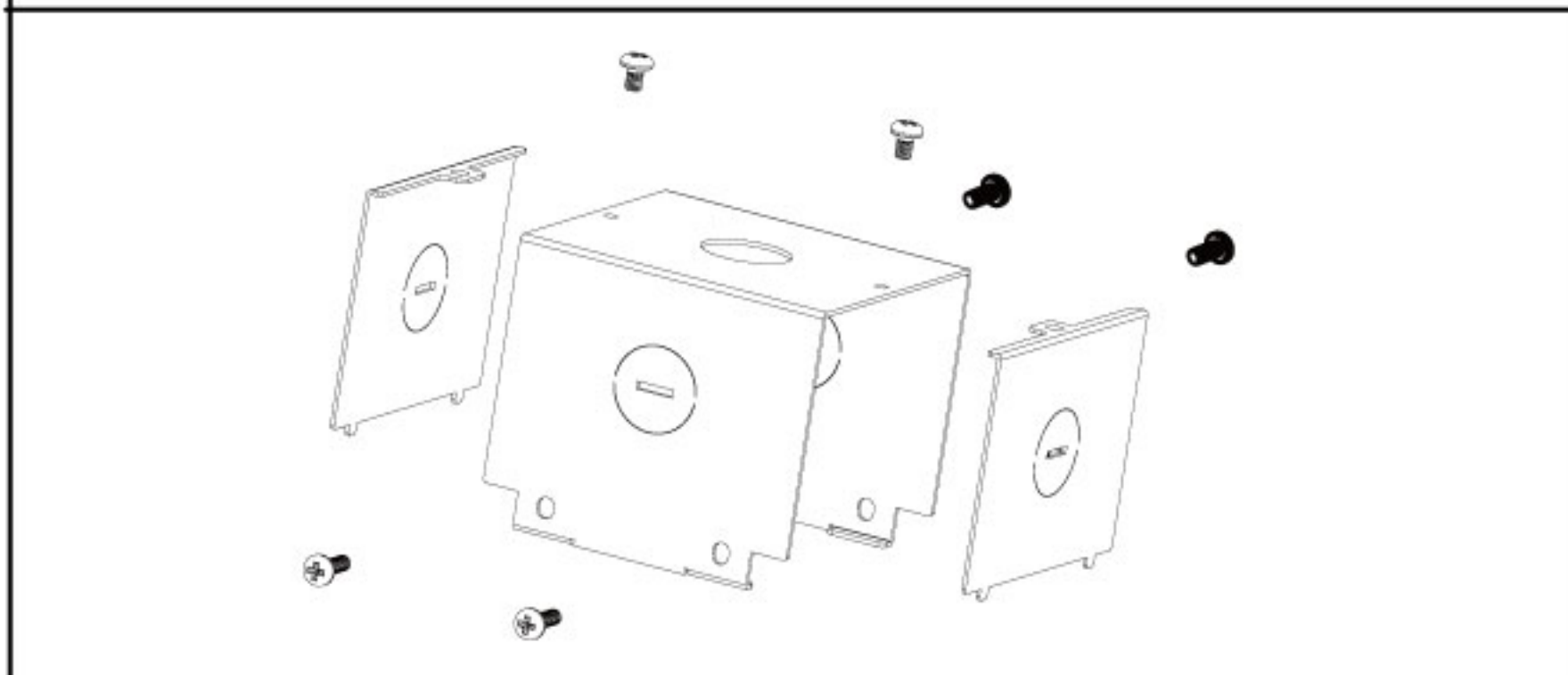


7. If you purchase a lamp with optional color temperature or power functions, adjust the switch to the desired color temperature or power. If there is no adjustable function, there is no switch for this item.

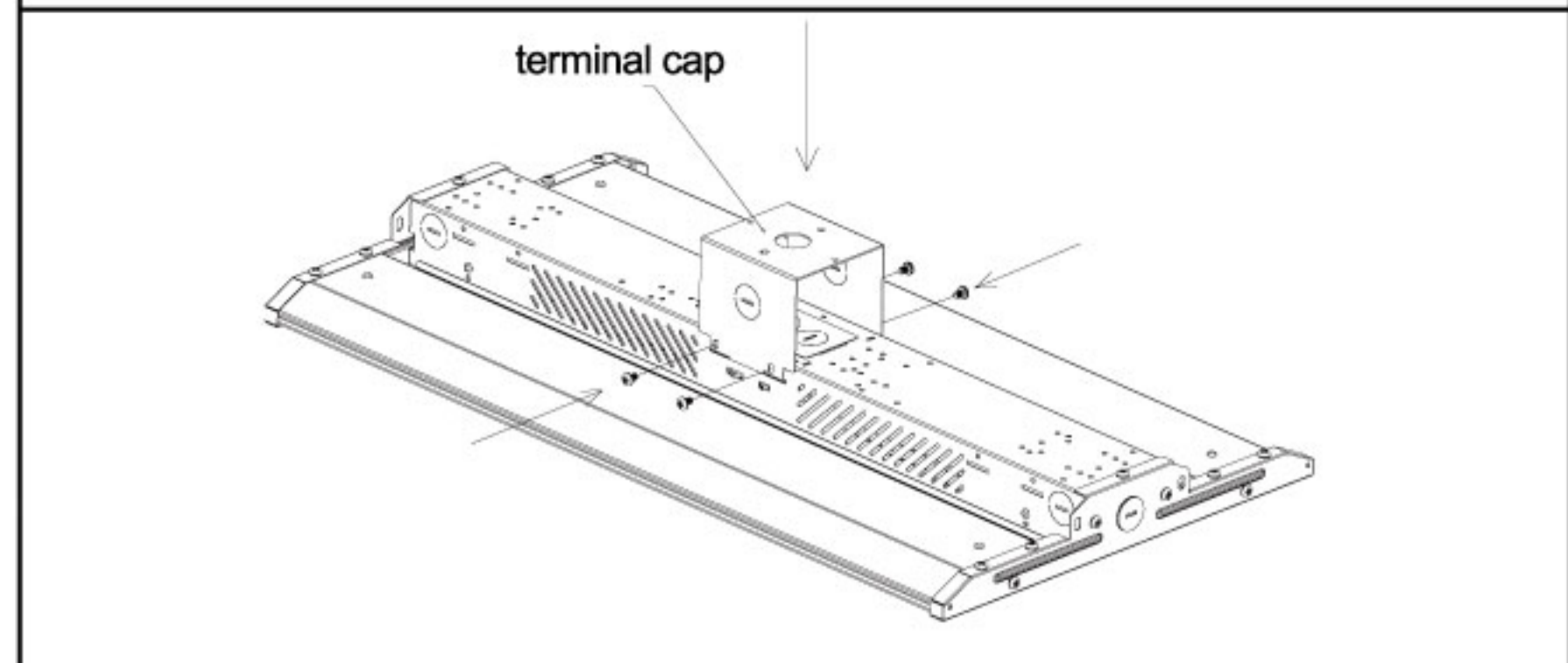


G3/4" CONDUIT POLE INSTALLATION

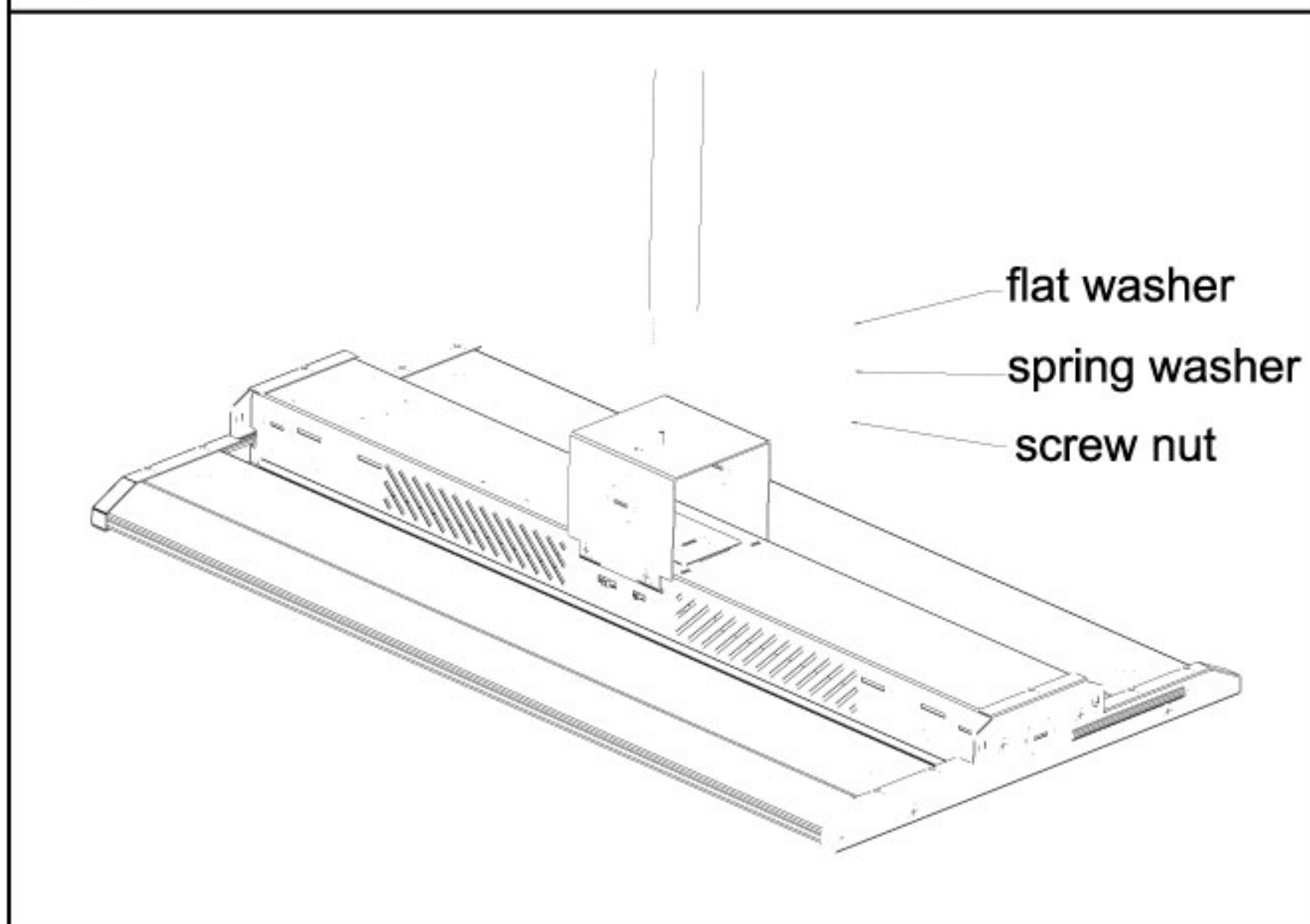
1. Find the following accessories from the accessories pack.



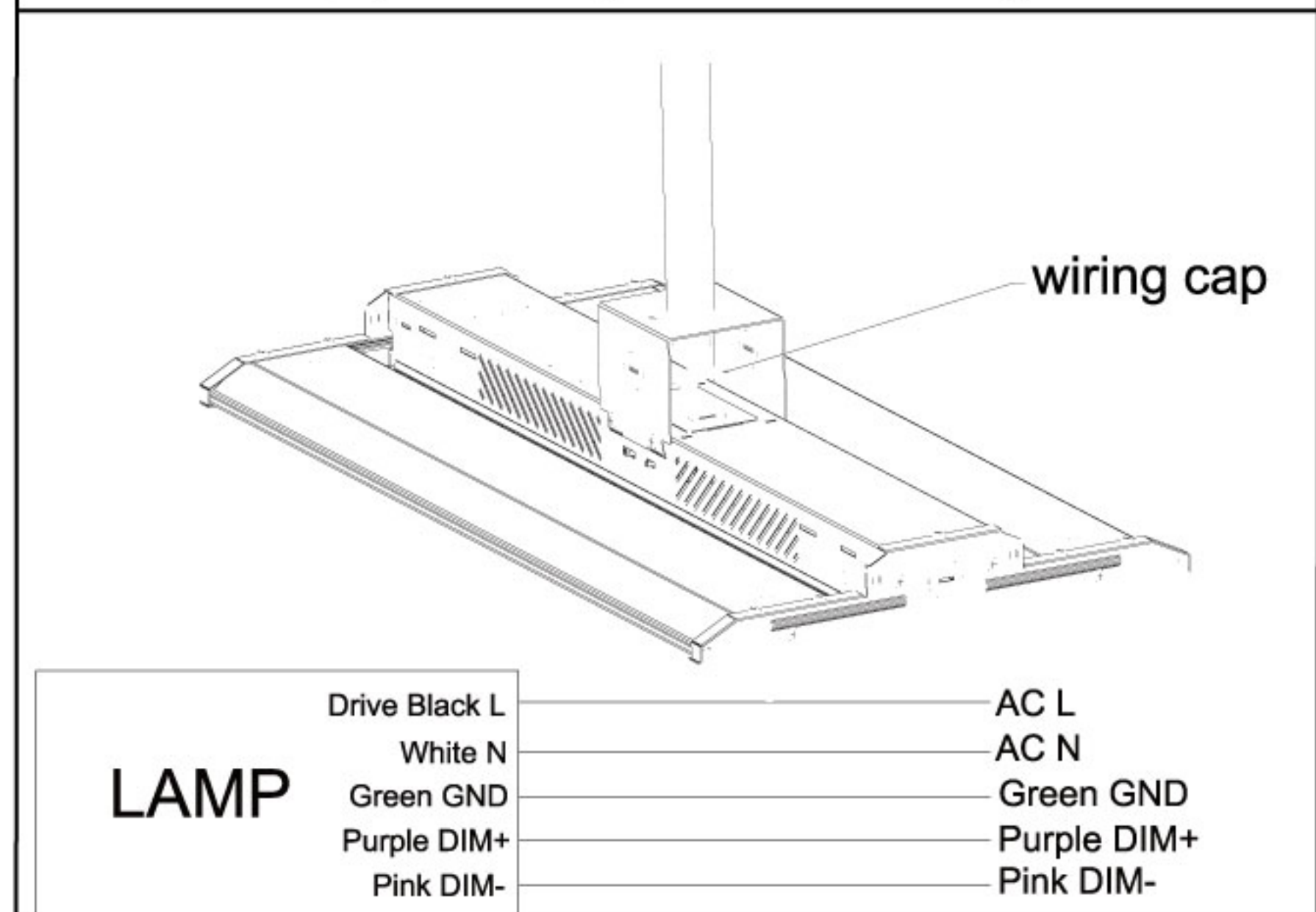
2. Fixed the junction box on the fixture with the provided hardware.



3. Fixed the high bay on the G3/4" conduit pole with provided hardware.

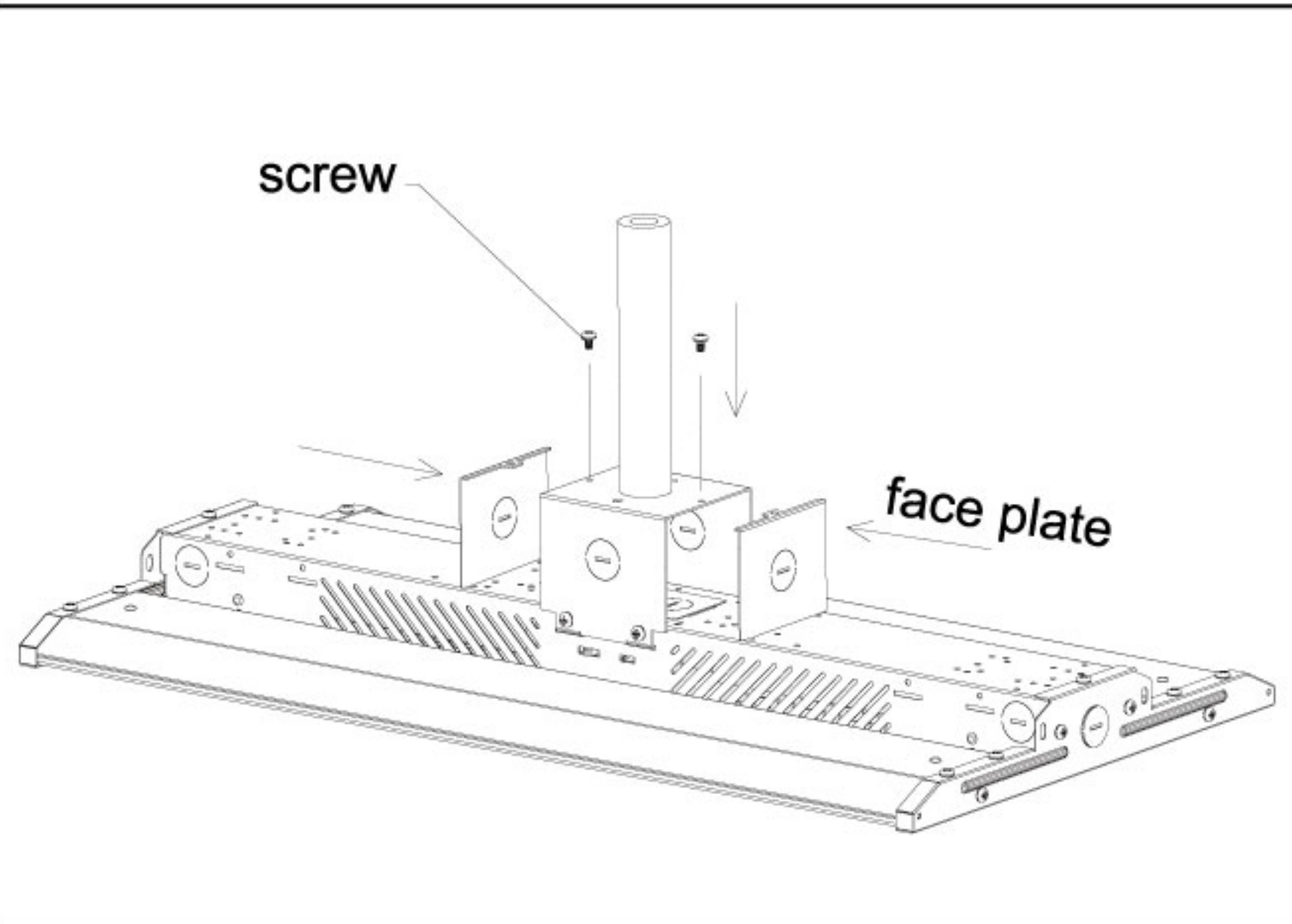


4. Turn off power, and make wiring connections with terminal cap. (see wiring instruction below).

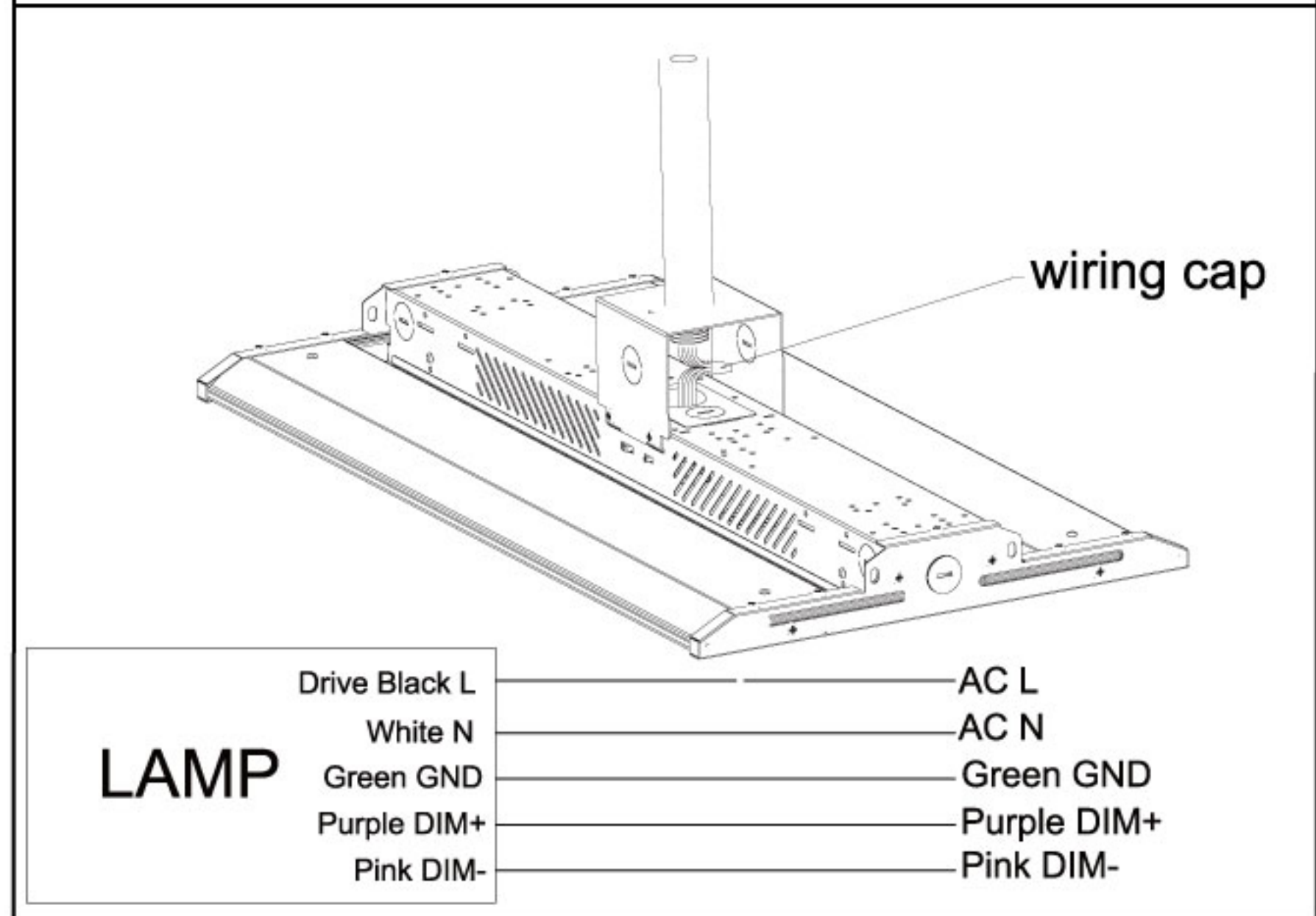


G3/4" CONDUIT POLE INSTALLATION

5. Attach both face plates to the Junction box with the provided hardware.



6. Installation completed.

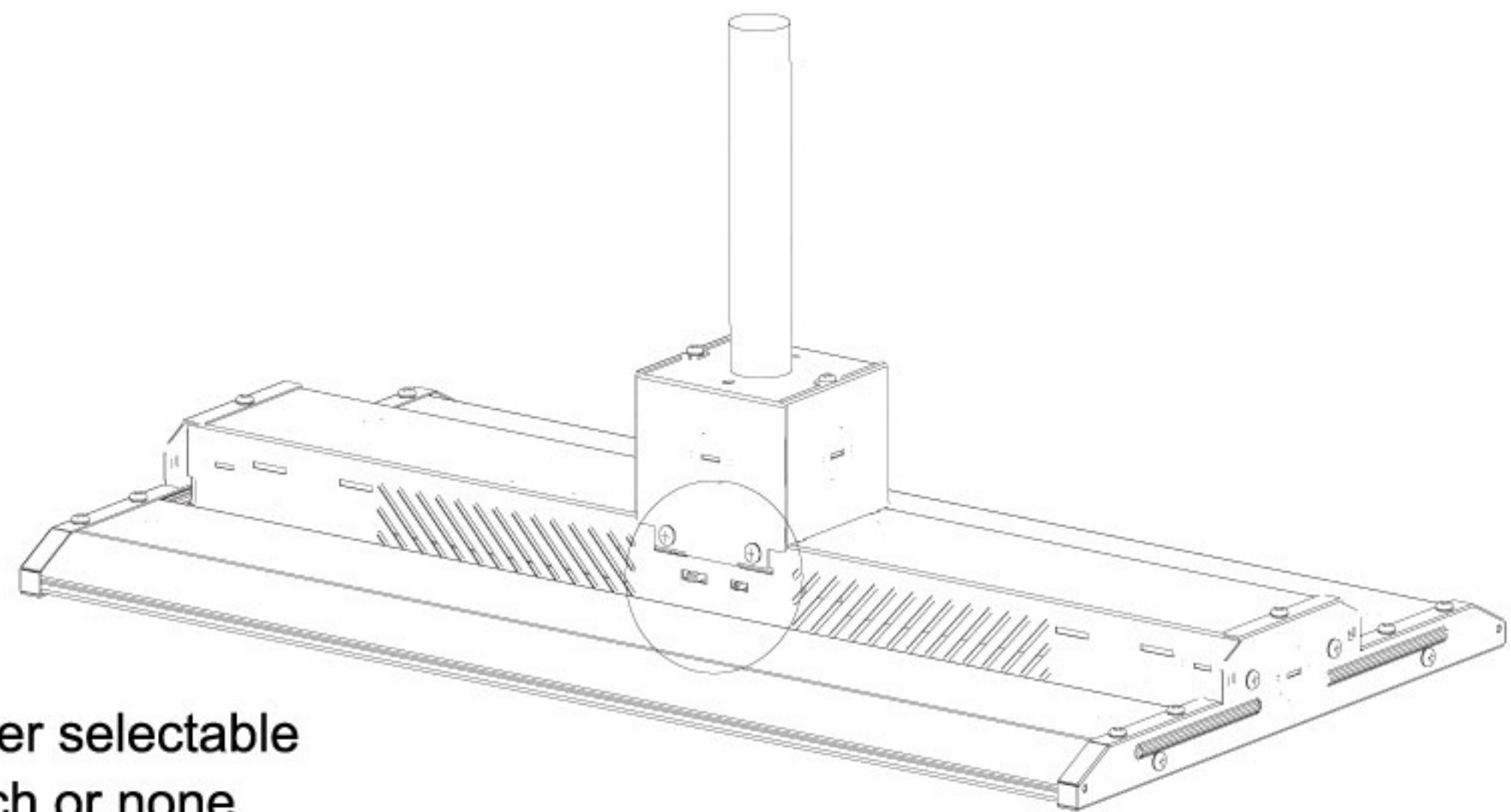


7. If you purchase a lamp with optional color temperature or power functions, adjust the switch to the desired color temperature or power. If there is no adjustable function, there is no switch for this item.

Color temperature optional switch or none

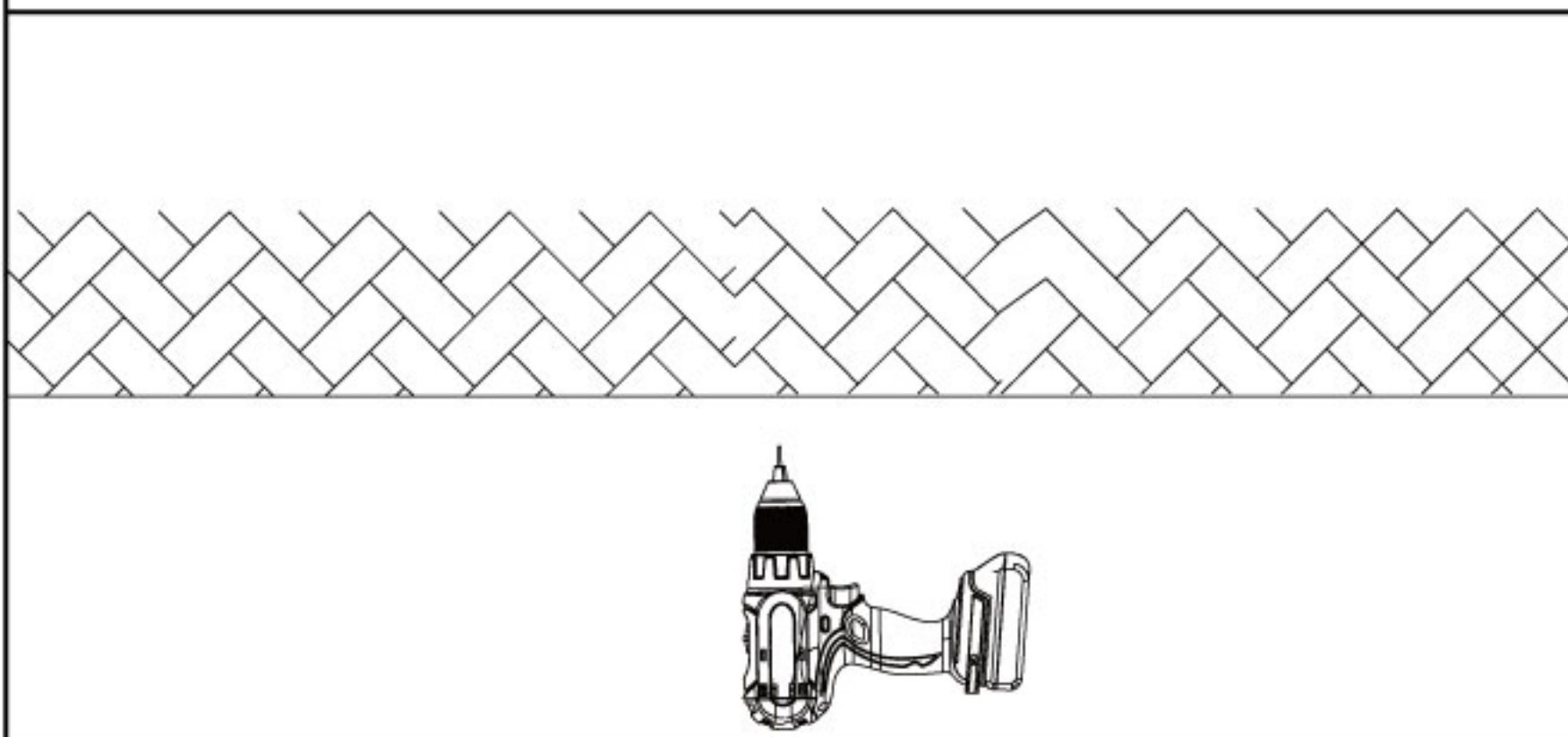


Power selectable switch or none

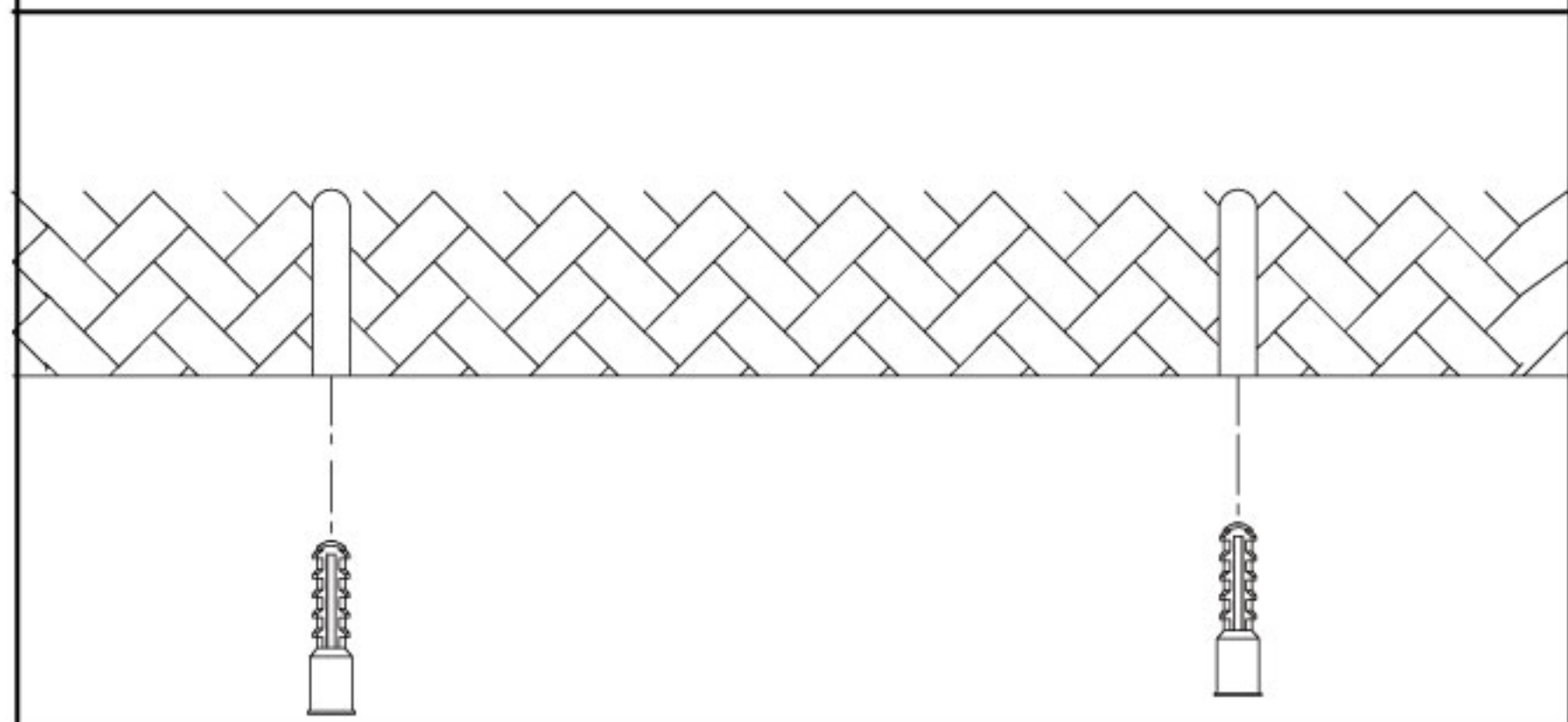


SURFACE MOUNTED INSTALLATION

1. Drill the alignment holes on the top ceiling, make them match to the holes on mounting bracket.



2. Screw the anchors to holes on ceiling respectively.



SURFACE MOUNTED INSTALLATION

