



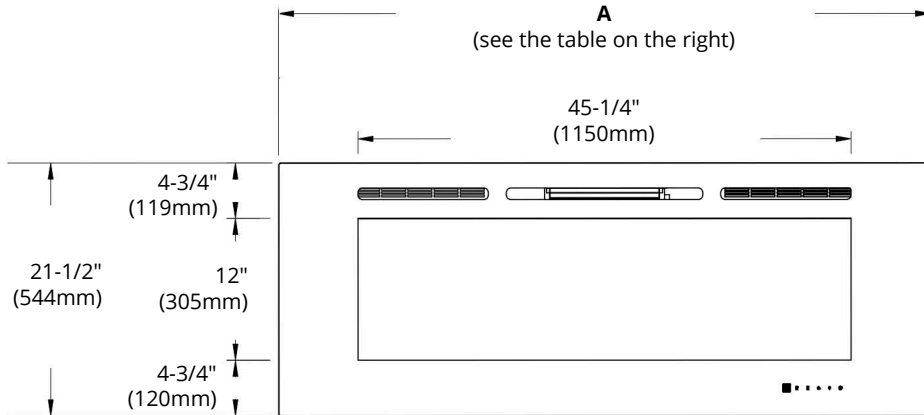
HIGHLIGHTS

- Vent located at the front
- Available in Black and White Colour Trims
- High quality log-set, crystals and pebbles for fuel bed
- With two levels of heating adjustment, low / high heat
- Multiple 10 colours and HD+ LED for realistic flame effect
- With the option of wall mount or built-in design and multiple heater and flame settings
- 50" (LED FP-50) / 60" (LED FP-60) / 72" (LED FP-72) wall mounted, built-in electric fireplaces
- Ideal for both new construction or renovations and operates with remote or touch control button

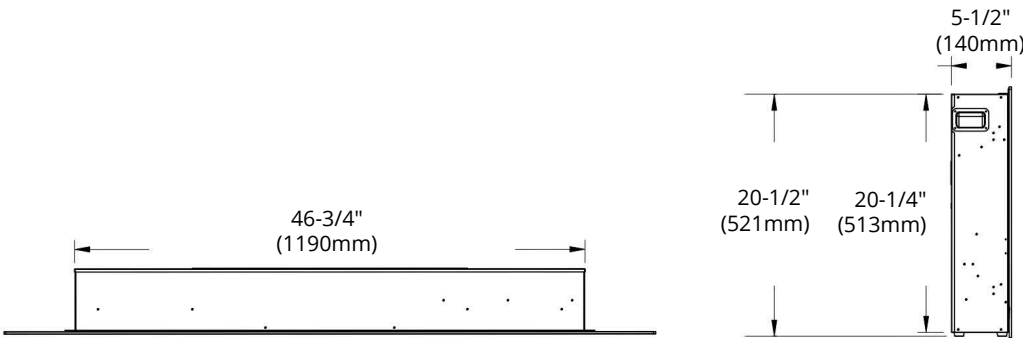
SPECIFICATIONS

Model	LED FP-50	LED FP-60	LED FP-72
Wattage	High — 1500W / Low — 750W (2 levels of heating)		
Voltage	110-120V AC		
Material	Logs / Crystals		
Installation	Wall mounted and built-in		
Timer	0.5-8 hours		
Control Mode	Touch Panel / Remote Control		
Flame Colours	Multiple 10 colours LED lights for flame		
Flame Brightness	5 levels		
Overheat Protection	Yes		
Heating Area	215 ft ²		
Warranty	1 Year		

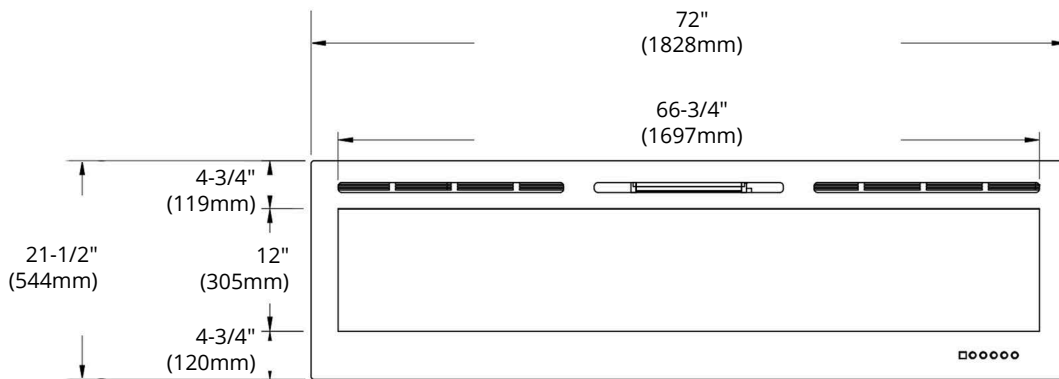
DIMENSIONS



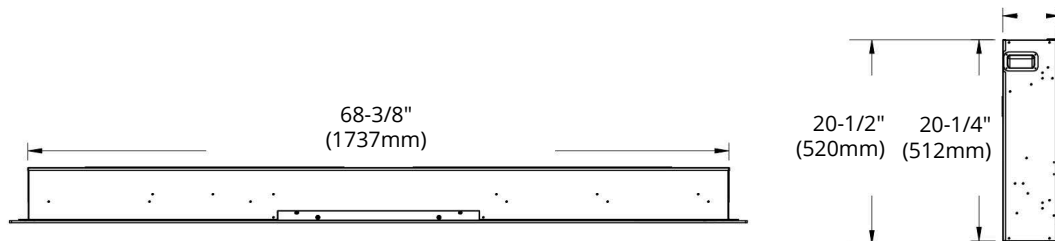
Model	LEDFP-50	LEDFP-60
A	50" (1280mm)	60" (1520mm)



- LEDFP-50
- LEDFP-60



- LEDFP-72



DIFFERENT COLOUR DISPLAYS



Reference	QTY.	Remarks	Project:
			Location:
			Architect:
			Engineer:
			Contractor:
			Submitted by:
			Date:

ORTECH reserves the right to modify at any time, without notice, any or all of our product's features, designs, components and specifications to meet market changes.