

MICROWAVE Highbay Sensor

PNP-SENSOR

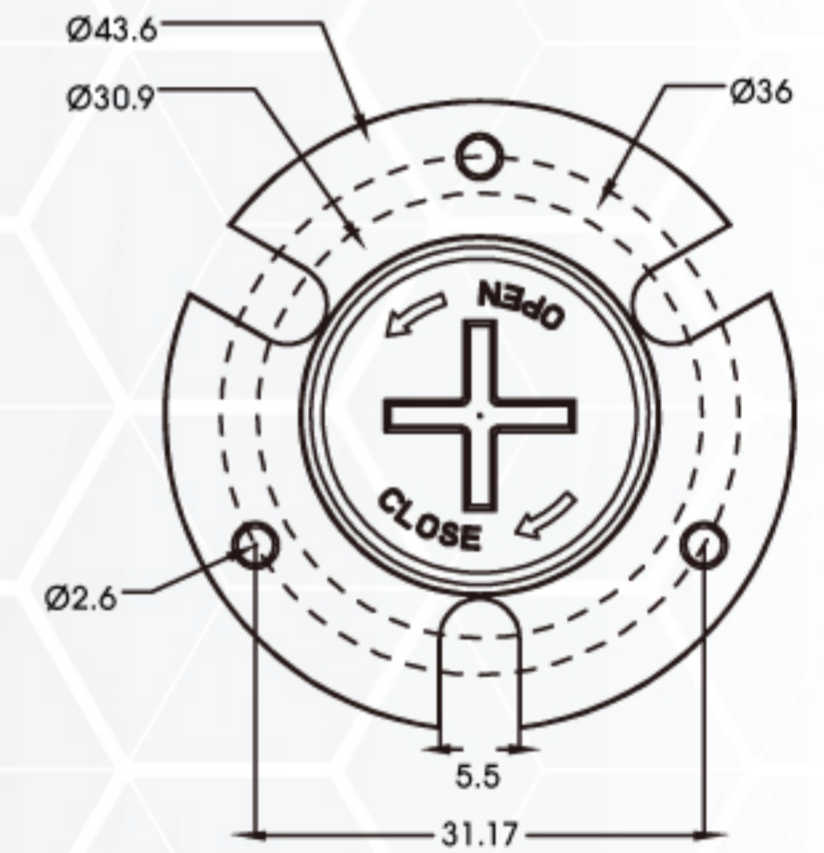
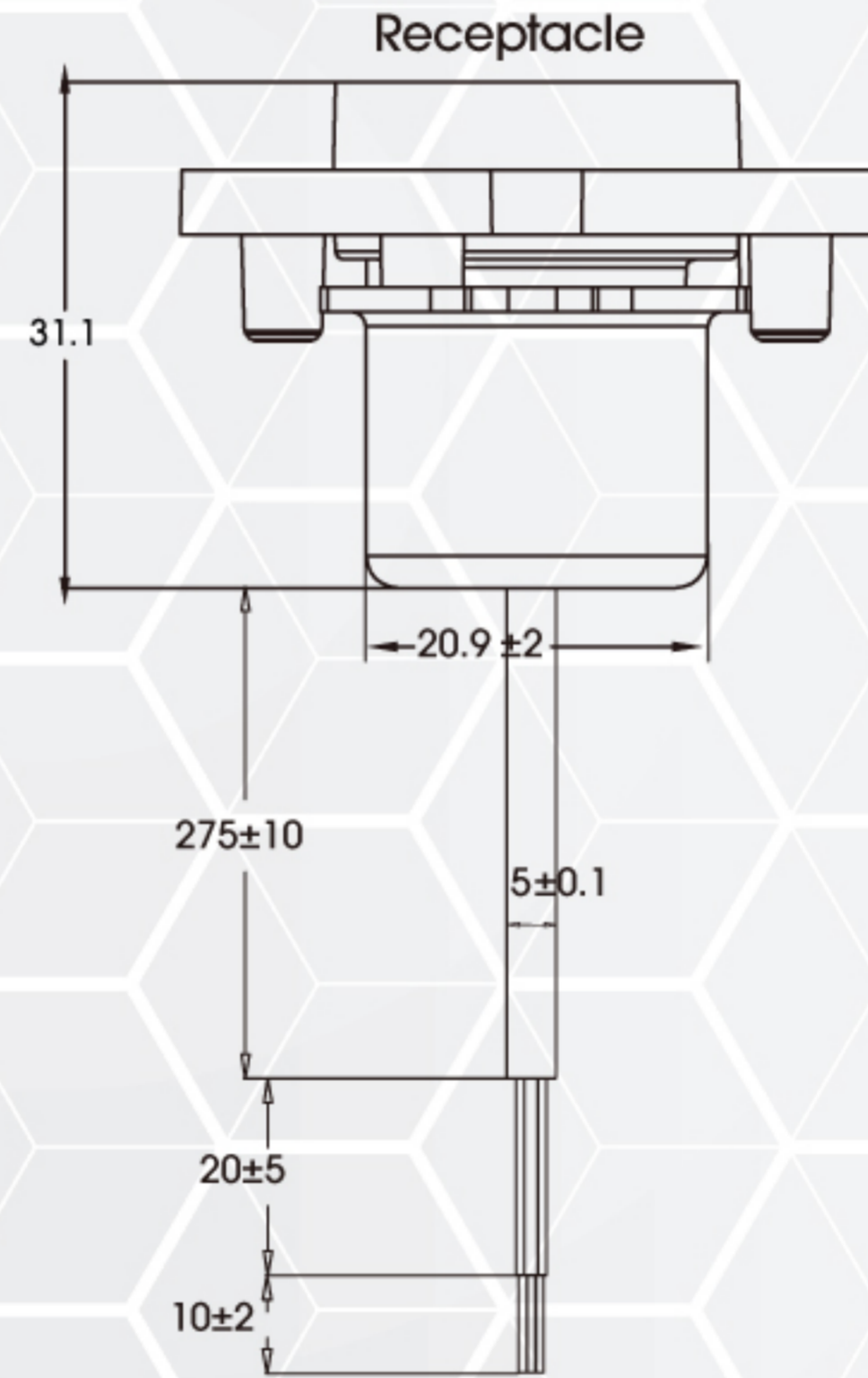
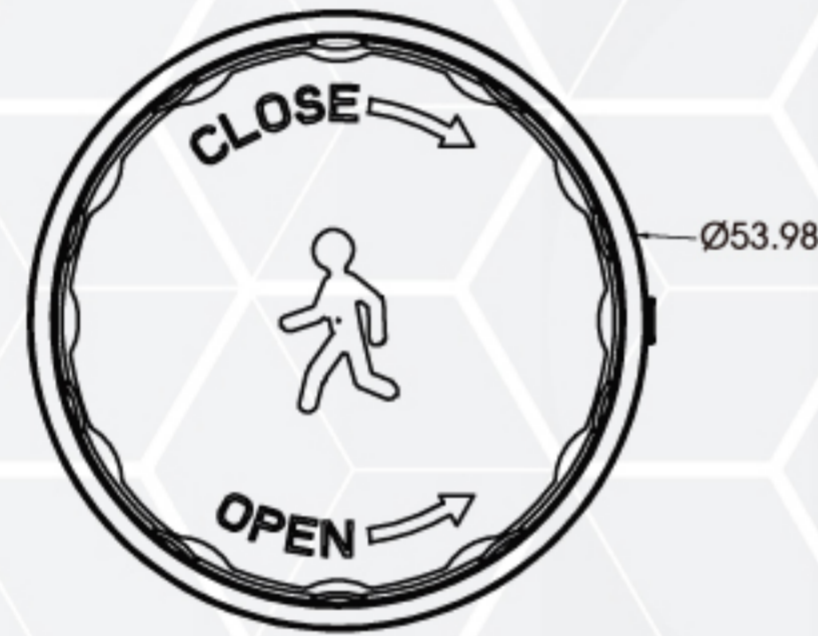
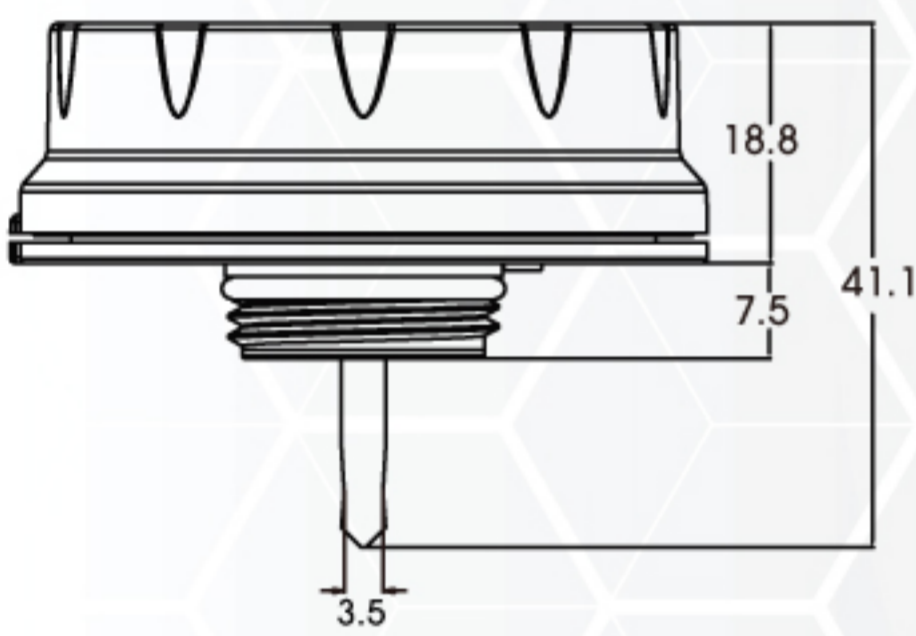
HIGHLIGHTS

Microwave sensor head, 12VDC powered with remote control.

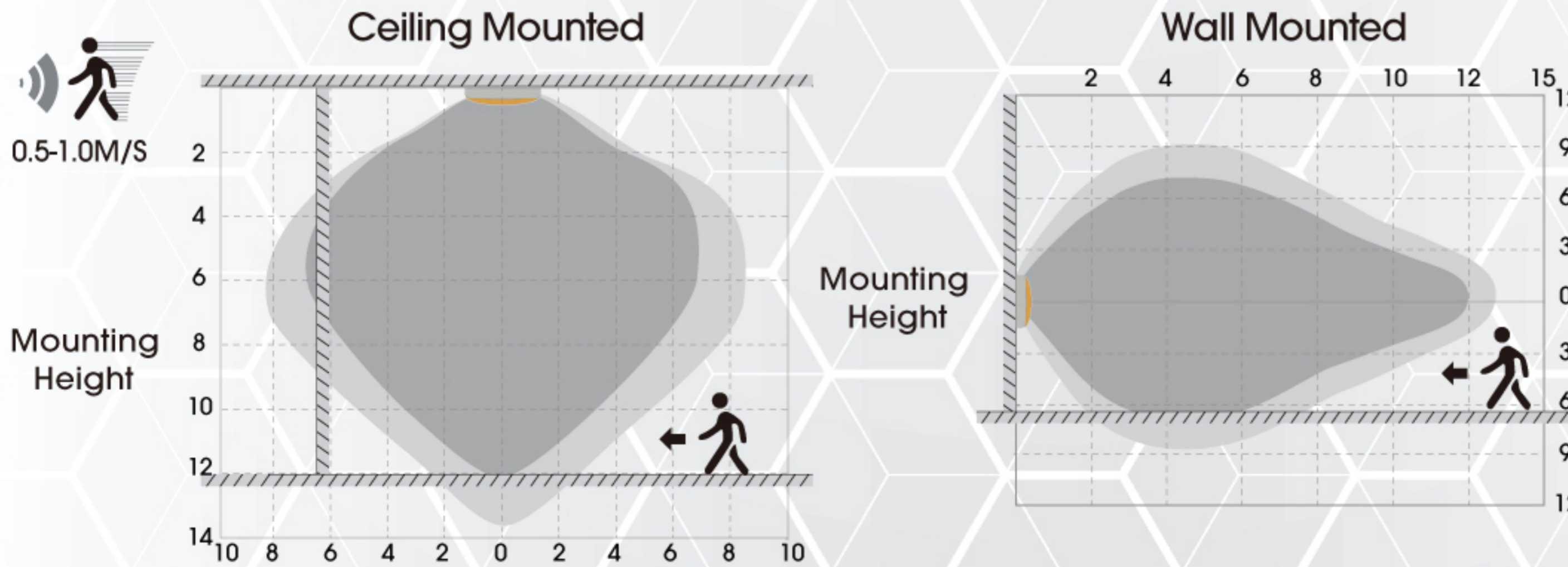
- Bi-level dimming, daylight threshold and dusk/dawn function
- With 3.5mm Jack, suitable for UFO high bay, Linear high bay, Canopies and Area lights application
- **Highest mounting height is 12m**
- Able to differentiate artificial light brightness from natural light after installed inside the fixture, and automatically turn off light when ambient brightness exceeds preset lux level
- Suitable for indoor application, half/completely outdoor environment conditions might be captured as moving signals to trigger the sensor



DIMENSIONS



DETECTION COVERAGE



This figure indicates the maximum distance at the highest mounting height with 100% sensitivity.

Well Detected Area Possibly Detected Area

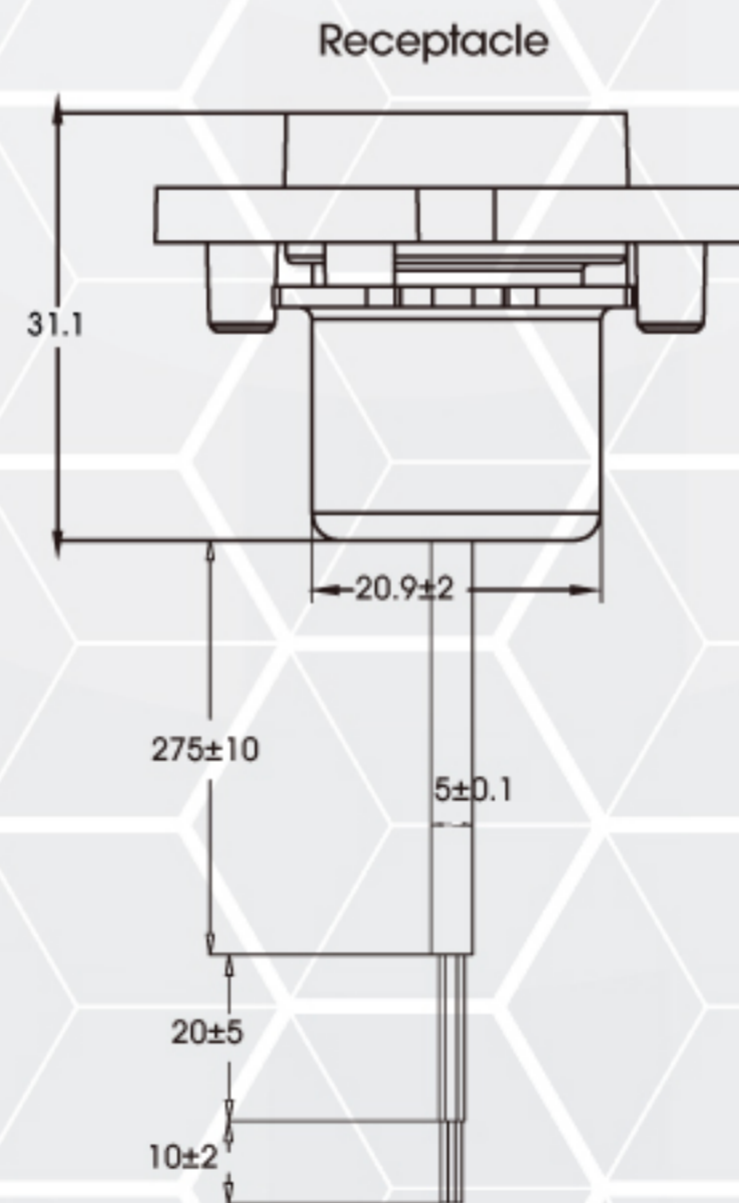
MICROWAVE HIGHBAY SENSOR

PNP-SENSOR

SPECIFICATIONS

Model	PNP-SENSOR
Frequency	5.8GHz±75MHz
Microwave Power	<0.3mW
Installation Height	12m/39ft Max.
Detection Distance	≥3m/9ft
Warranty	5 years
Detection Area	25%/50%/75%/100%
Holdtime	5s/30s/1min/3min/5min/10min/20min/30min
Daylight Threshold	Disable/ 2lux/ 10lux/ 30lux/ 50lux/ 80lux/ 120lux
Standby Dimming Level	10%/20%/30%/50%
Standby Period	0s/10s/30s/1min/5min/10min/30min/60min+∞
Input Range	12VDC
Voltage Range	10-15VDC
Current	≥30mA
Connection	12VDC input
Operating Temperature	-20°C~+60°C

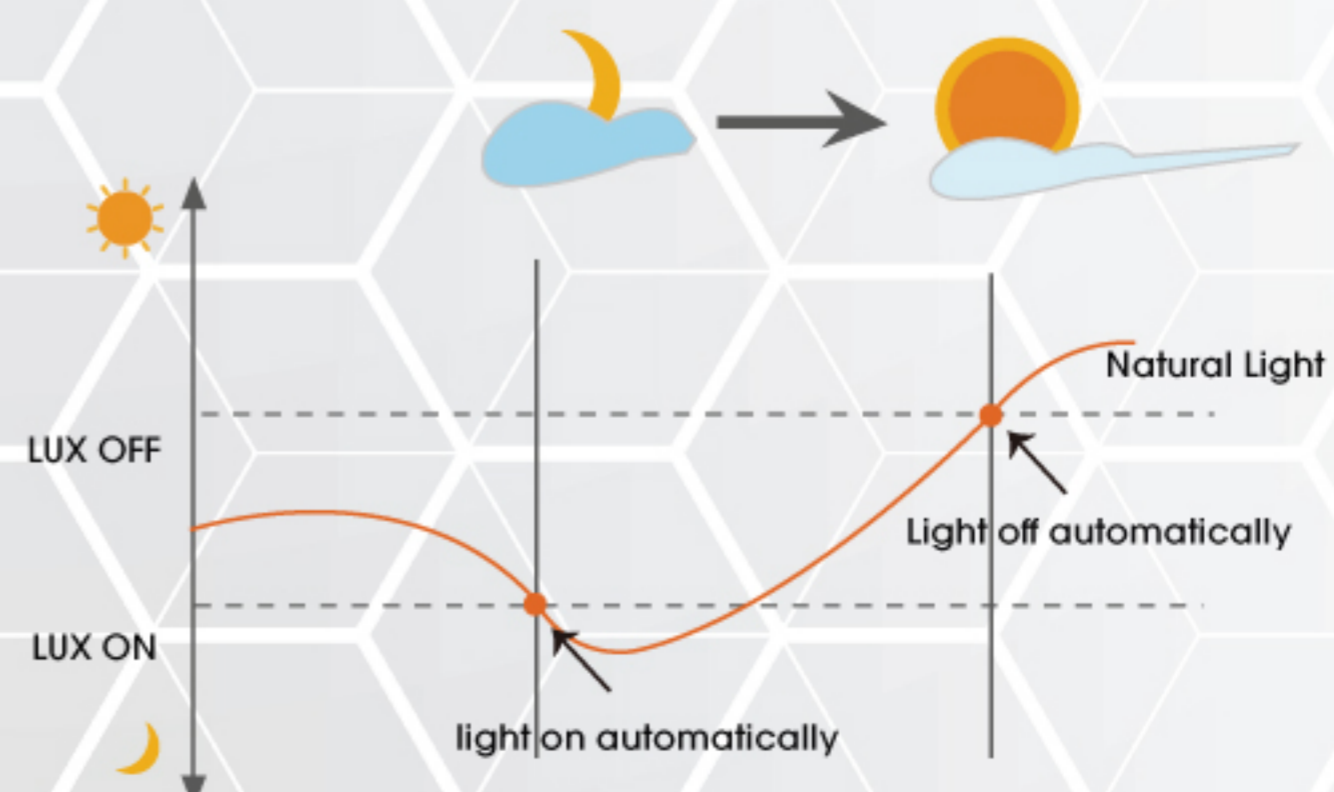
DIAGRAM



PERFORMANCE

Sensor Default Setting:

- Standby period is +∞;
- Standby dimming level is on 10%,20% or 30%
- Daylight threshold is on 30lux/ 50lux/ 80lux/ 120lux



MICROWAVE Highbay Sensor

PNP-SENSOR

PERFORMANCE

With Dusk/Dawn function



With insufficient ambient brightness, sensor turns on light and keeps it at standby dimming level even if there is no motion or presence.



When sensor detects motion or presence it will bring the light level up to 100%.



After motion is no longer detected, fixture remains at 100% for hold time.

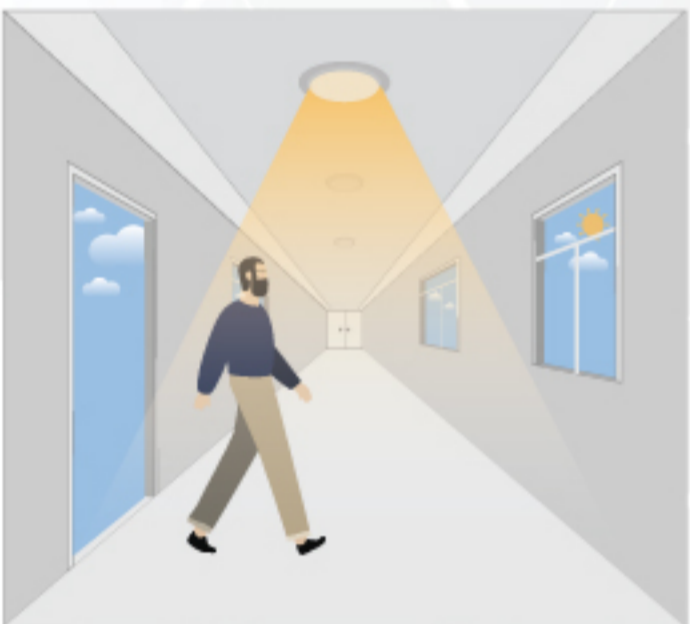


After pre-set hold time period it will dim light to standby dimming level again and always keep it.

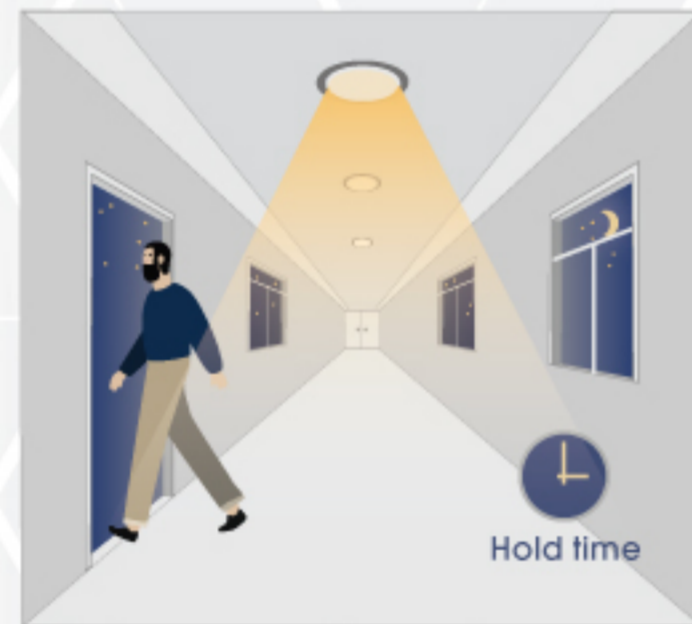


With sufficient ambient brightness, sensor will turn OFF light automatically.

With daylight disabled



Sensor turns ON light when motion is detected.



Sensor keeps for a hold time period after motion leaves.

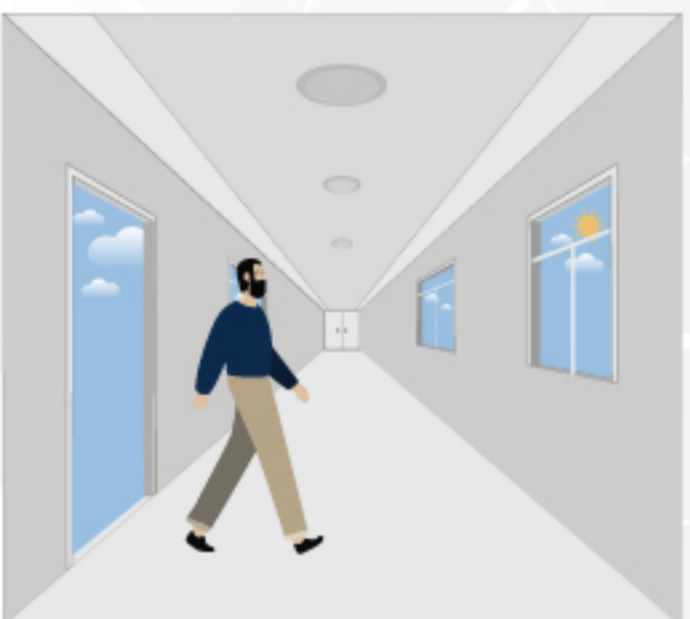


Sensor dims light to standby dimming level after hold time if there is still no motion.



Sensor turns OFF light after standby period.

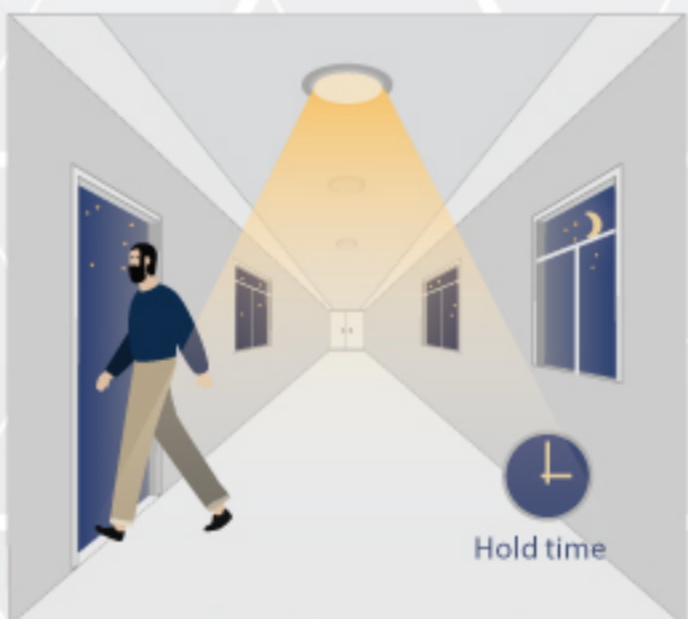
With daylight disabled



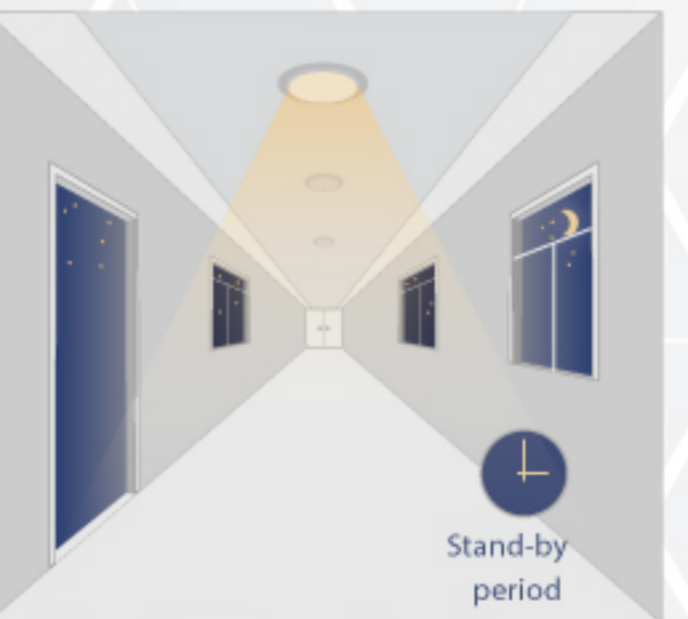
With sufficient daylight, the sensor keeps light OFF even motion gets detected.



With insufficient daylight, the sensor turns light ON when motion gets detected.



After there's no motion detected, the sensor keeps light ON 100% for holdtime.



After holdtime, sensor dims light to standby dimming level for standby period. If the standby period has been set as 0s, sensor turns light OFF automatically after holdtime.



The sensor turns OFF light automatically after the standby period when there's no motion detected.

Reference	QTY.	Remarks	Project:
			Location:
			Architect:
			Engineer:
			Contractor:
			Submitted by:
			Date:

ORTECH reserves the right to modify at any time, without notice, any or all of our product's features, designs, components and specifications to meet market changes.