

LED CANOPIES

CNP40-3CCT+W | CNP100-3CCT+W

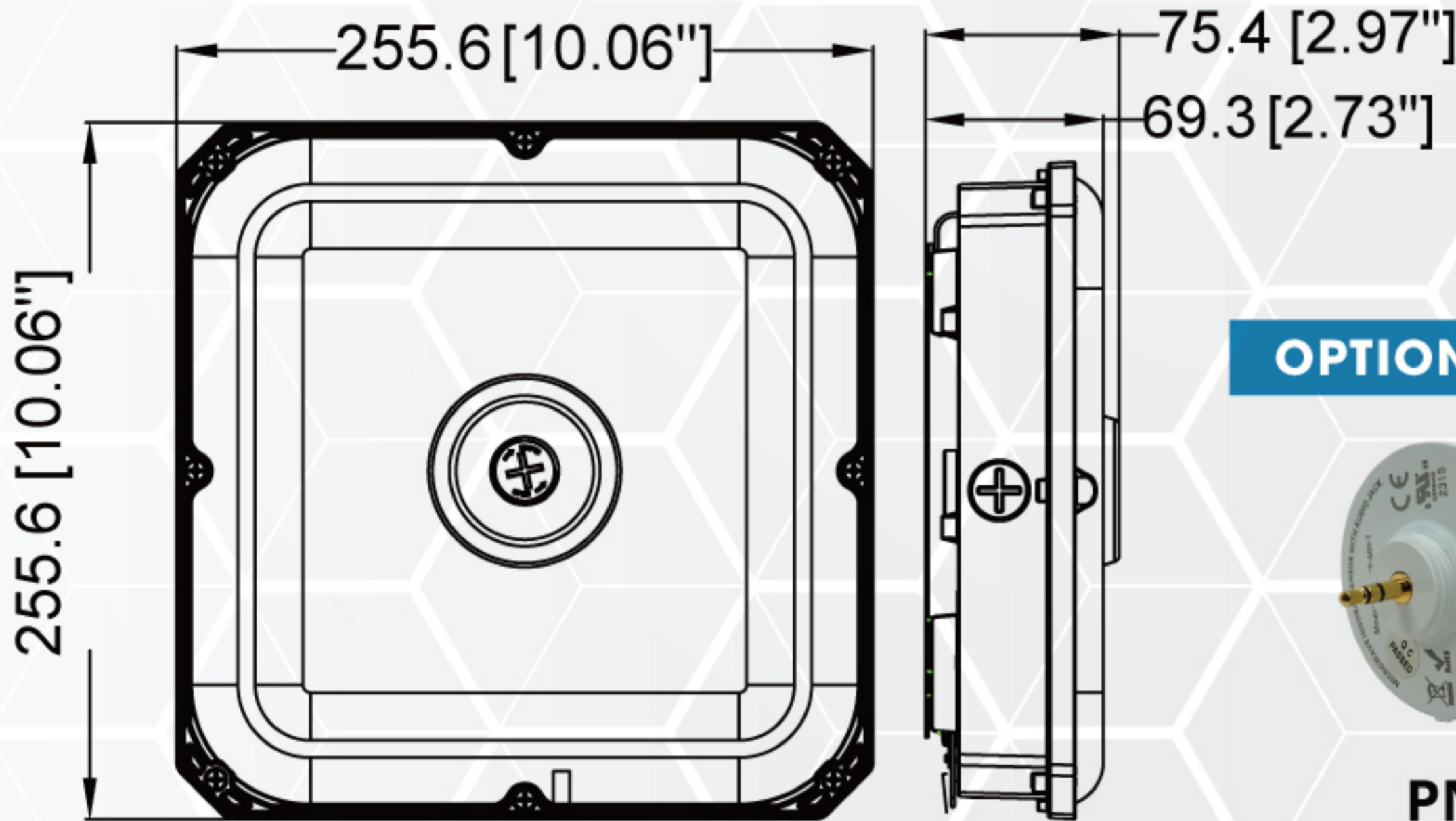
HIGHLIGHTS

Slim, durable garage and canopy LED light with a light weight design

- Plug & Play Sensor available for motion detection and dimming
- For application in places like parking garage, car port, driveway, underpass, etc
- Fins design on body provides efficient heat dissipation
- High light reflectivity from the reflectors results in an efficient light distribution
- CCT & Power Selectable
- Can be surface mounted directly or, pendant mounted using a G3/4" Conduit Pole (Conduit Pole not available through ORTECH)



DIMENSIONS

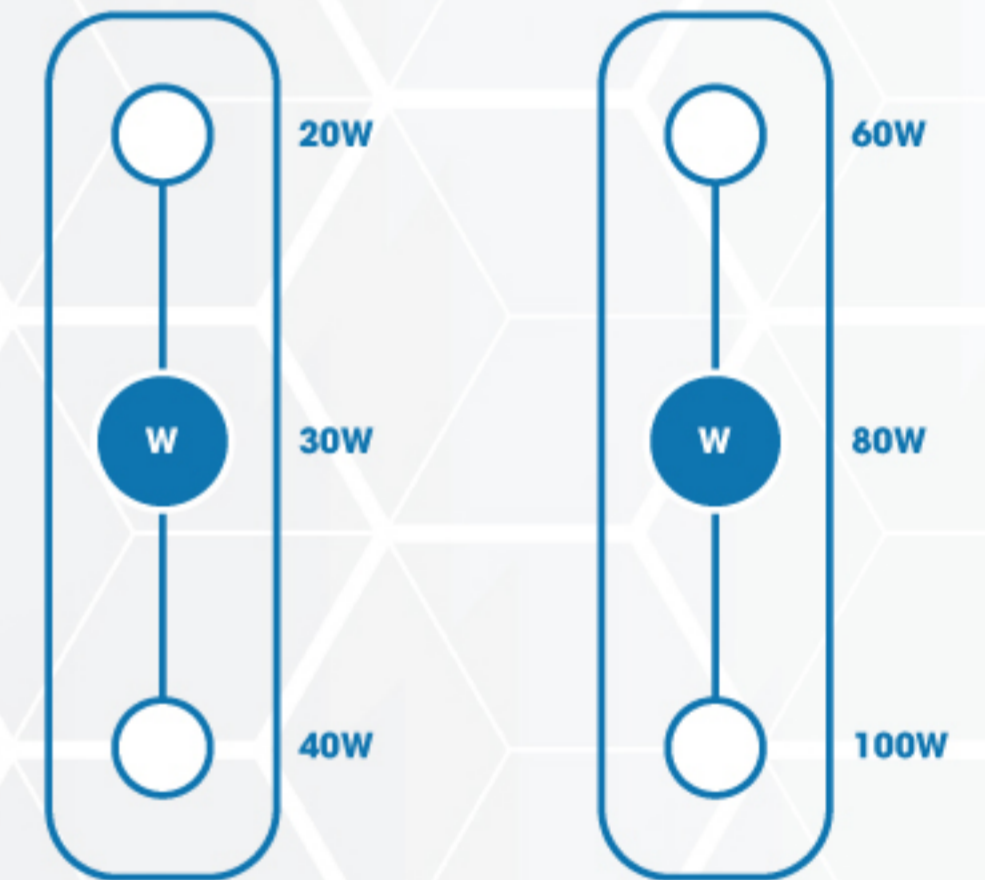


OPTIONAL ACCESSORY



PNP-SENSOR

CNP40-3CCT+W CNP100-3CCT+W



SPECIFICATIONS

Model	CNP40-3CCT+W	CNP100-3CCT+W
Wattage	20W/30W/40W	60W/80W/100W
Voltage	AC120-347V	
Lamp Bead Model	2835 Lumileds	
Beam Angle	150°	
Lifetime	50000 hours	
Lighting Efficiency	135LM/W	
Rating	Wet locations	
Lamp Shell	Brown	
CRI Grade of Protection	>80Ra IP65	
Colour Temp.	3500K / 4000K / 5000K	
Dimmable	Yes	
Operating Temp.	-40°F ~ +113°F	