

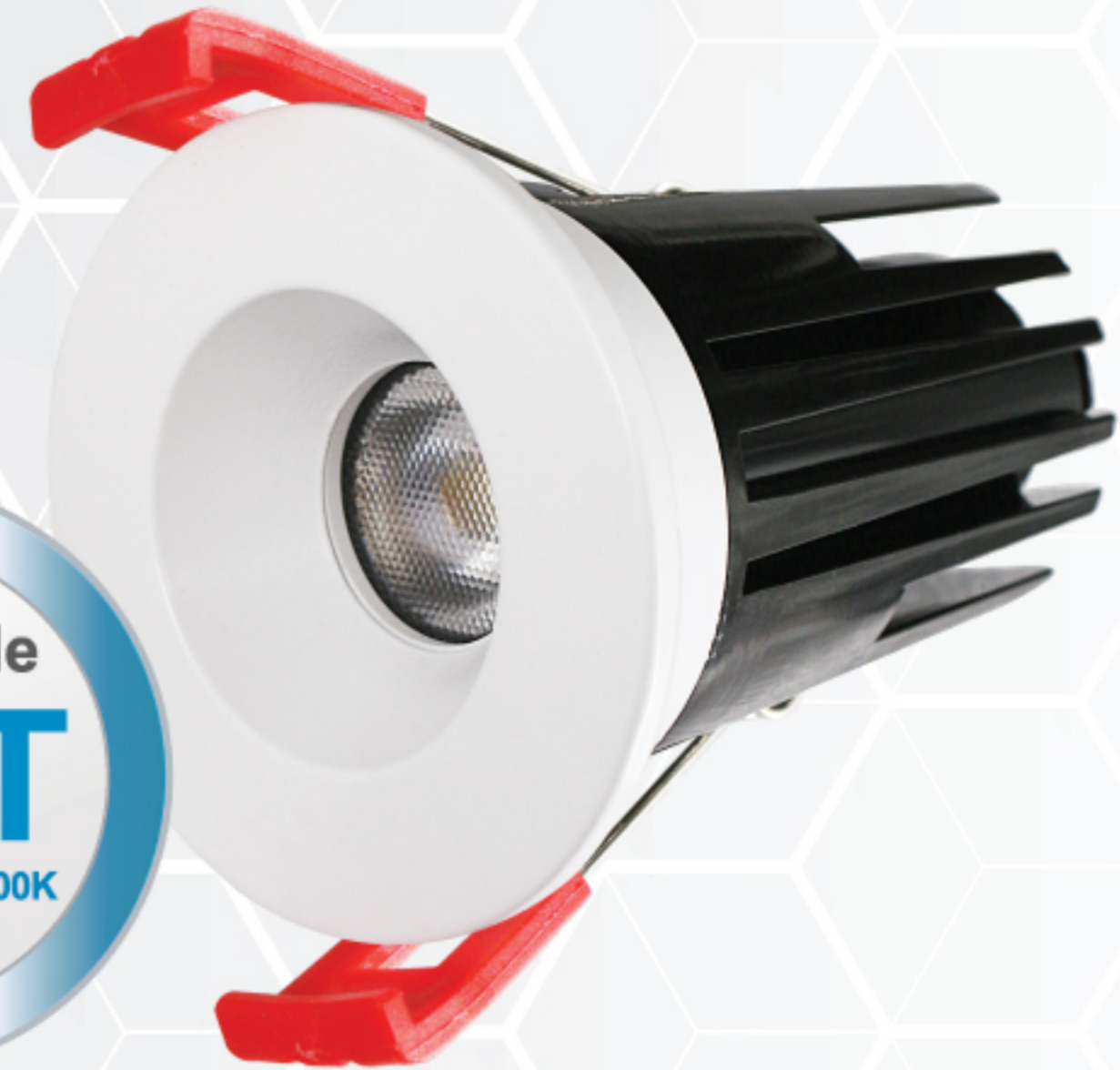
LED SLIM LIGHTS

SLIM-RG1-5CCT

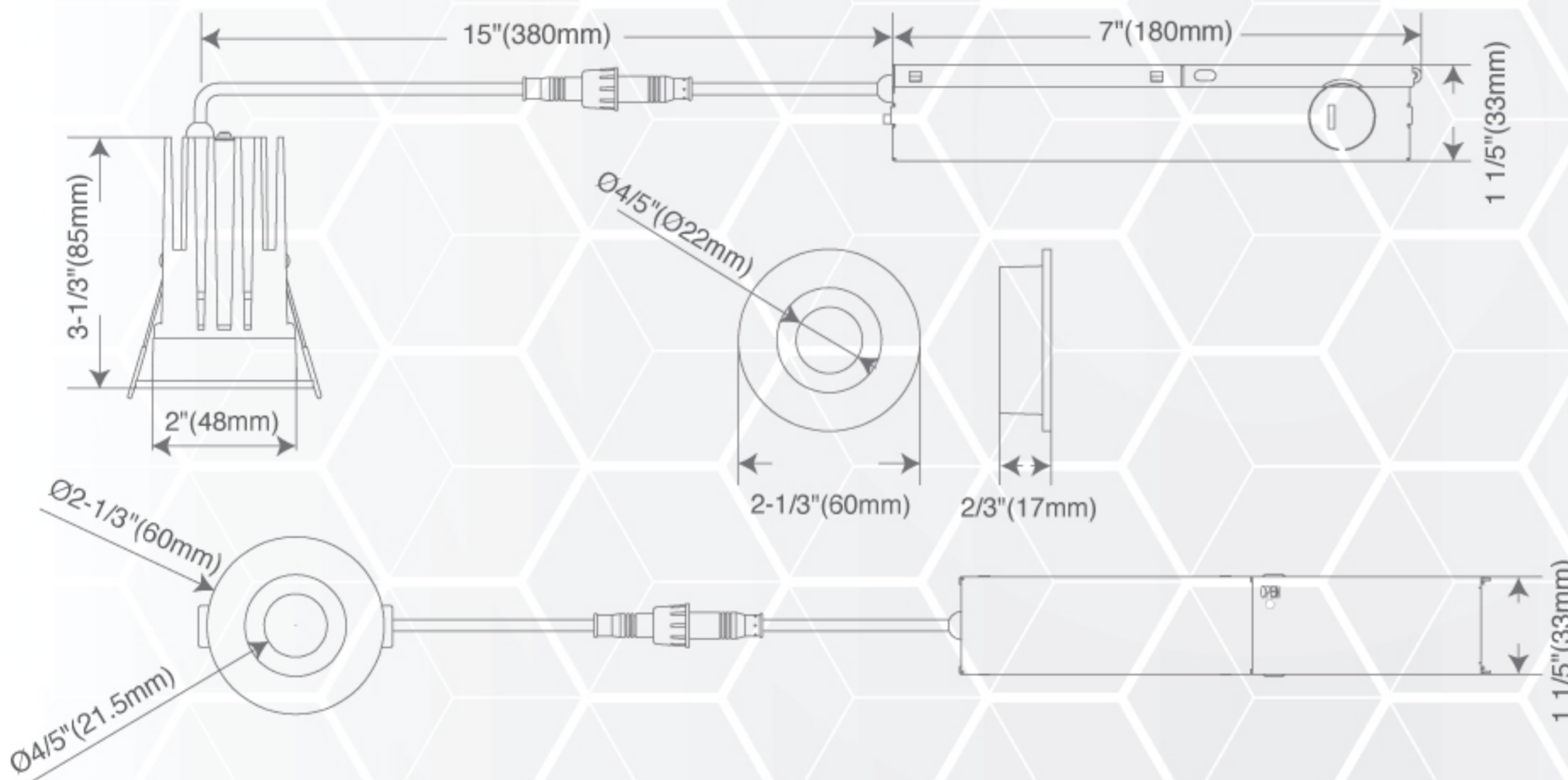
HIGHLIGHTS

1" Regress Module Changeable Trim - with Adjustable CCT

- Interchangeable Trims
- Type IC, Air-Tight - No Housing Required
- Fast Installation & No Junction Box Needed
- Includes two spring loaded clips to attached to any ceiling material
- 100%-10% dimming capability. Compatible with industry standard forward-phase / reverse-phase and Triac/ELV Dimmers
- Rated for long life - over 50,000 hours



DIMENSIONS



SPECIFICATIONS

Model	SLIM-RG1-5CCT
Wattage	7W
Voltage	AC120V, 60Hz
Lumens	500lm
Beam Angle	38°
Lifetime	50000 hours
Air Tight	Yes
Rating	IC rated Damp location
Grade of Protection	IP54
CRI	90Ra+
Colour Temp.	2700K / 3000K / 3500K / 4000K / 5000K
Dimming	Triac Dimming
Operating Temp.	-20°C ~ +40°C

LED SLIM LIGHTS

SLIM-RG1-5CCT

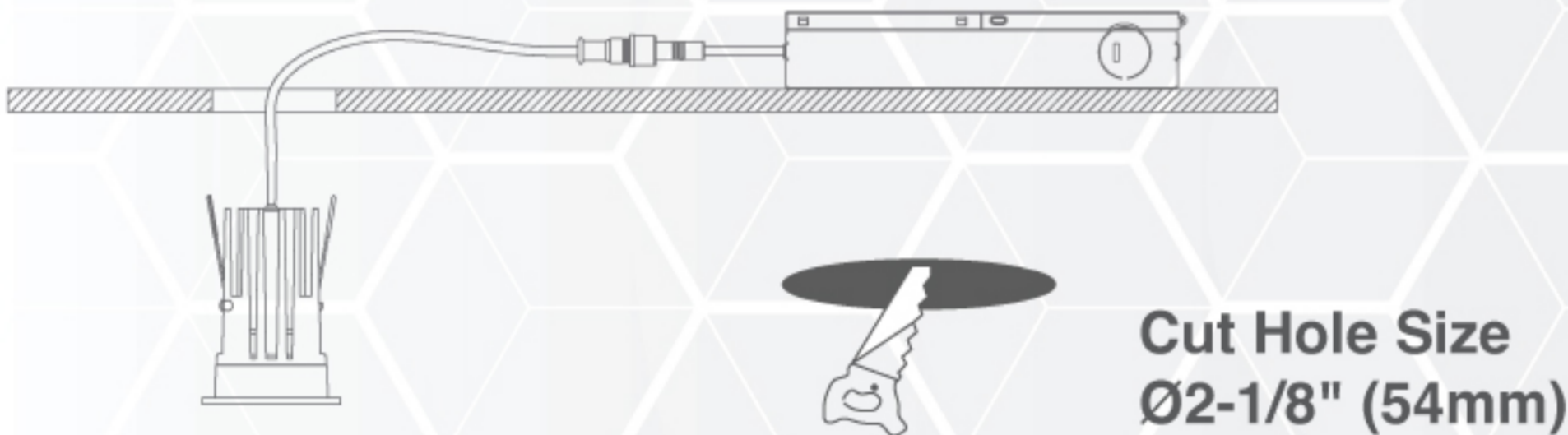
PRODUCT BREAKDOWN



TRIM OPTIONS



INSTALLATION



INCLUDED IN BOX

1" Regress Module Downlight with Remote Driver



ACCESSORIES (SOLD SEPARATELY)

DIMMER SWITCH



DMD-ELV

Single pole
3-way dimmers

MOUNTING PLATE



PLATE26-1

Mounting Plates for
ORTECH 1" Slim Lights

FLEXIBLE CONNECTOR



CORD-12/24/60/120/240

Flexible Connector
2FT/5FT/10FT/20FT

Reference	QTY.	Remarks	Project:
			Location:
			Architect:
			Engineer:
			Contractor:
			Submitted by:
			Date:

ORTECH reserves the right to modify at any time, without notice, any or all of our product's features, designs, components and specifications to meet market changes.