

MODEL SLIM-RG2-5CCT



HIGHLIGHTS

- 2" 5 adjustable CCT slim regress downlight
- No housing required — Type IC, air tight & damp location rated
- Easy & fast installation — install directly into ceiling with clips
- Class 2 transformer in junction box is included
- Aluminum die-cast construction with beam spread option 38°

MOUNTING

- Ceiling clearance required: > 3-1/2"
- Cut hole in ceiling and snap fixture in Opening with attached spring clips

SPECIFICATIONS

Model	SLIM-RG2-5CCT
Wattage	8W
Voltage	120V AC
Lumens	600 lmn
Beam Angle	38°
Lifetime	50000 hours
Cutout	Ø 2-7/8" (72mm)
CRI	80
Dimmable	Yes
Rating	IC Rated / Indoor use / for wet location
Grade of Protection	IP 44
Air Tight	Yes
Application	Recessed ceiling / Halls / Home / Office / Store / Cafe
Colour Temp.	2700K / 3000K / 3500K / 4000K / 5000K
Operating Temp.	-20°C ~ +40°C
Warranty	5 years



Mix & Match interchangeable reflector & trims



5CCT CHANGEABLE

Changeable
2700K/3000K/3500K/
4000K/5000K controlled
by 5CCT switch

MODEL SLIM-RG2-5CCT

INTERCHANGEABLE REFLECTORS (SOLD SEPARATELY)



DISC2RG-RF-ALCH

Alzek Chrome



DISC2RG-RF-ALHZ

Alzek Haze



DISC2RG-RF-BFSN

Satin Nickel Baffle



DISC2RG-RF-BFWH

White Baffle



DISC2RG-RF-BFBK

Black Baffle

INTERCHANGEABLE RINGS (SOLD SEPARATELY)



DISC2-RINGSH-WH

Shower Ring White



DISC2-RINGSH-BK

Shower Ring Black



DISC2-RINGOV-WH

Oval Ring White



DISC2-RINGOV-BK

Oval Ring Black



DISC2-RINGRS-WH

Small Round Ring White



DISC2-RINGRS-BK

Small Round Ring Black



DISC2-RING-WH

Regular Ring White



DISC2-RING-SN

Regular Ring Satin Nickel



DISC2-RING-BK

Regular Ring Black



DISC2-RINGSP-WH

Scoop Ring White



DISC2-RINGSP-BK

Scoop Ring Black

ACCESSORIES (SOLD SEPARATELY)



PLATE2-HB

Mounting Plate for
ORTECH 2" Slim Lights



PLATE26-2

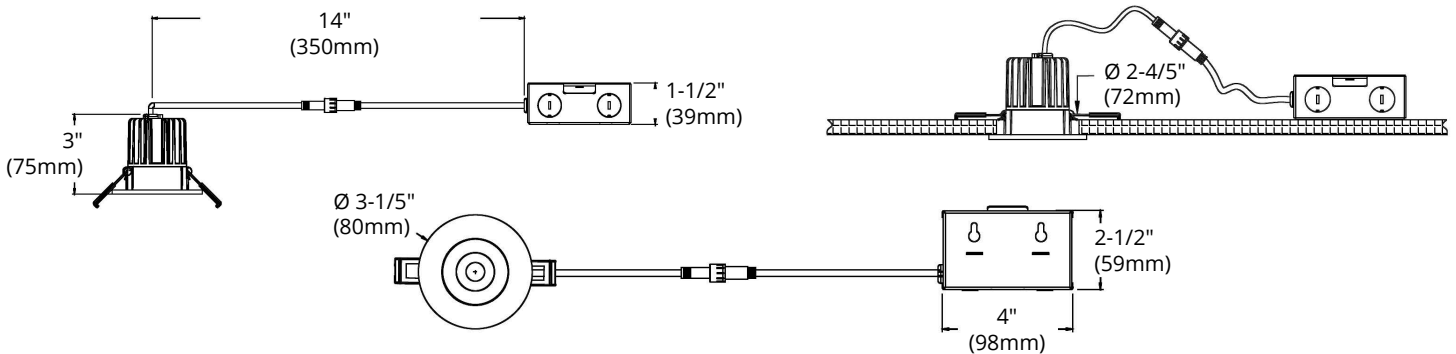
New Construction Plate for
ORTECH 2" Slim Lights



CORD-12/24/60/120/240

Flexible Connector
2FT/5FT/10FT/20FT

DIMENSIONS



Reference	QTY.	Remarks	Project:
			Location:
			Architect:
			Engineer:
			Contractor:
			Submitted by:
			Date:

ORTECH reserves the right to modify at any time, without notice, any or all of our product's features, designs, components and specifications to meet market changes.