

MODEL SLIM-3CONT-3CCT

Quick Connector



HIGHLIGHTS

3" Round LED Slim Downlight

- Edge-lit technology, no glare or dark spots, instant-on
- No existing recessed housing or junction box required
- Dimming: TRIAC down to 10%
- I.C. rated for direct contact with insulation
- Suitable for Damp LOCATION
- Rated for a long life - over 50,000 hours
- 3-color field selectable CCT - 3000K, 4000K, 5000K

DECORATIVE TRIM RING



SLIM3-RINGBK



SLIM3-RINGSN



SLIM3-RINGCH



SLIM3-RINGVB



SLIM3-RINGCBK

SPECIFICATIONS

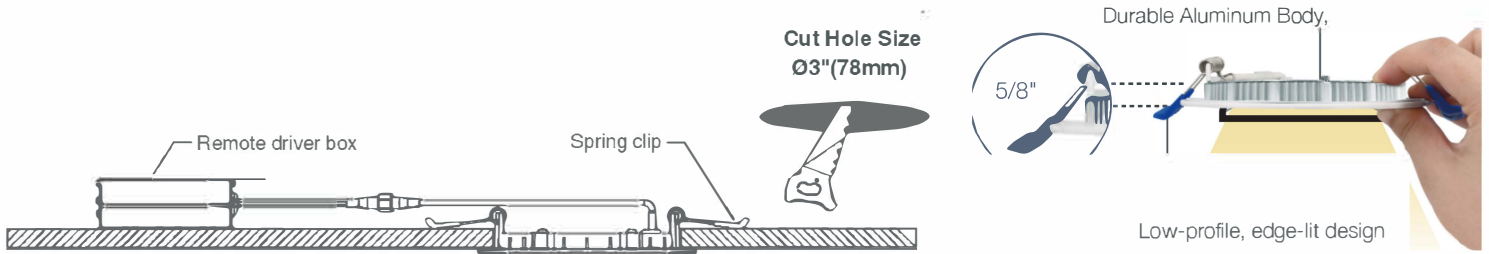
Model	SLIM-3CONT-3CCT
Wattage	8W
Default Driver Input	AC120V,60HZ
Light Output(lm)	500lm
Color Temperature	3000K, 4000K, 5000K
CRI	80
Dimming	TRIAC Dimming
Power Factor	>0.9
Grade of Protection	IP 44
Approved Location	Damp Location
Air Tight	Yes
Operating Temperature	(-4°F~104°F) -20~40°C
Beam Angle	120°

PACKAGE

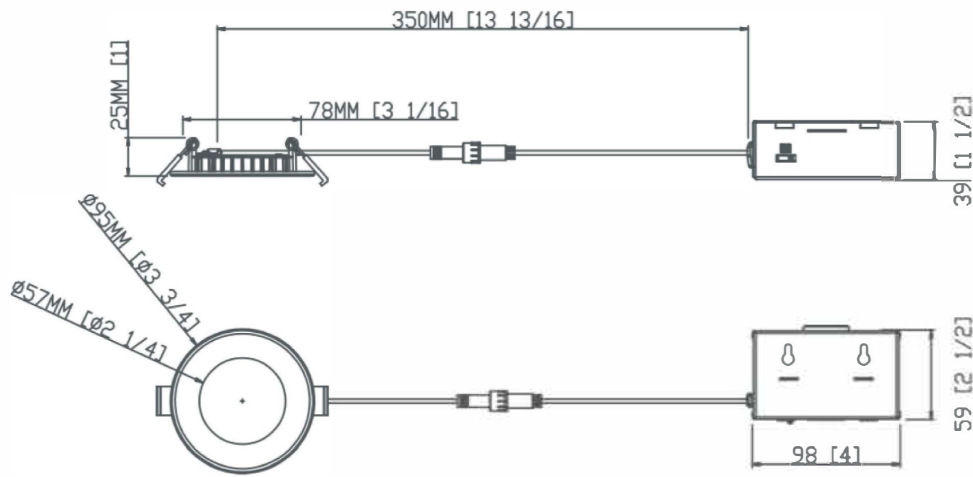
Weight (g)	300g
Qty/CTN (pcs)	24pcs/CTN
Qty/Pack (pcs)	6pcs/Pack
Box Dimension	L425mmxW255mmxH225mm
Gross Weight	6.5kg/CTN

MODEL SLIM-3CONT-3CCT

MOUNTING



DIMENSIONS



ACCESSORIES (SOLD SEPARATELY)

Mounting Plates

PLATE26-3



3" New Construction Plate made up of galvanized steel for recessed lighting



PLATE3-HB

Galvanized steel Mounting Plate with hanger bars for ORTECH 3" LED lights

Flexible Connector

CORD-B24/B120



Flexible Connector
2FT/5FT/10FT/20FT

Reference	QTY.	Remarks	Project:
			Location:
			Architect:
			Engineer:
			Contractor:
			Submitted by:
			Date:

ORTECH reserves the right to modify at any time, without notice, any or all of our product's features, designs, components and specifications to meet market changes.