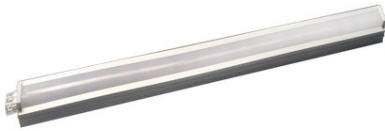


LED Under Cabinet Strip Lights

MODEL SLS-B3300-6 | SLS-B3300-12 | SLS-B3300-24 | SLS-B3300-36 | SLS-B3300-48

WARNING

WARNING — THE INSTALLATION MUST BE CARRIED OUT BY A QUALIFIED ELECTRICIAN.



1. LED Under Cabinet Strip Lights are suitable for using in damp location
2. Please keep the LED Under Cabinet Strip Lights away from any corrosive substance, and please use dry cloth when you clean it
3. LED Under Cabinet Strip Light can only be installed by a qualified electrician
4. Before installation or maintenance, please disconnect the power to prevent electric shock

Application Notice

1. Turn OFF main power at the circuit breaker before installing the fixture to prevent possible shock
2. All electrical connections MUST be in accordance with local and national electrical (N.E.C) Standards
3. If you are unfamiliar with proper electrical wiring connections, please obtain the service of a qualified electrician
4. Use the driver since it is required to power the under cabinet lighting
5. LED Under Cabinet Strip Lights are for indoor use only

CAUTION

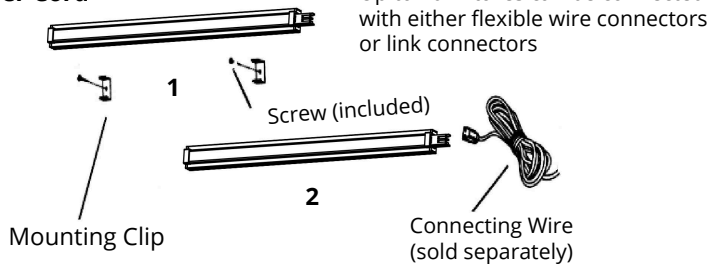
PLEASE READ INSTRUCTION BEFORE COMMENCING INSTALLATION AND RETAIN FOR FUTURE REFERENCES.

Electrical products can cause death or injury, or damage to property.

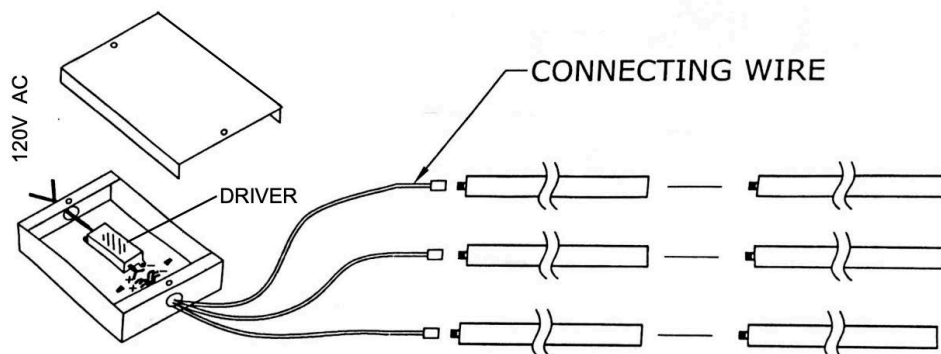
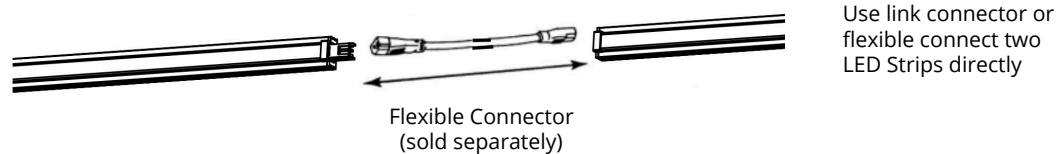
If in any doubt about the installation or use of this product, consult a competent electrician.

INSTALLATION GUIDE

Power Cord



Linking



ORTECH reserves the right to modify at any time, without notice, any or all of our product's features, designs, components and specifications to meet market changes.