

MODEL TF-2x2-3CCT+W | TF-2x4-3CCT+W

WARNING

WARNING — THE INSTALLATION MUST BE CARRIED OUT BY A QUALIFIED ELECTRICIAN.

1. LED Back Lit Panels are suitable for using in dry and damp locations
2. Please keep the LED Back Lit Panels away from any corrosive substance, and please use dry cloth when you clean it
3. LED Back Lit Panels can only be installed by a qualified electrician
4. Before installation or maintenance, please disconnect the power to prevent electric shock
5. Make sure the distances between live part and metal part of LED troffer can satisfy reinforced or double insulation.



CAUTION

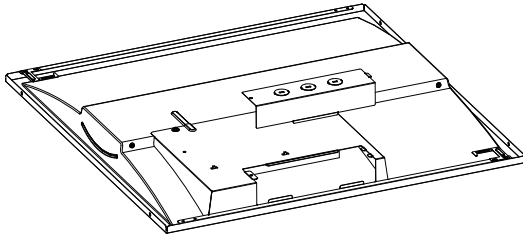
PLEASE READ INSTRUCTION BEFORE COMMENCING INSTALLATION AND RETAIN FOR FUTURE REFERENCES.

Electrical products can cause death or injury, or damage to property.

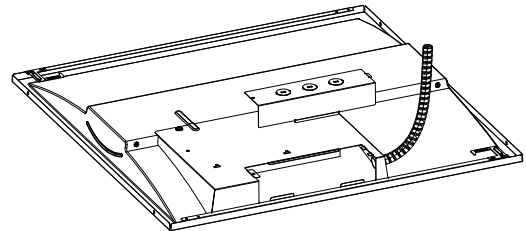
If in any doubt about the installation or use of this product, consult a competent electrician.

INSTALLATION GUIDE

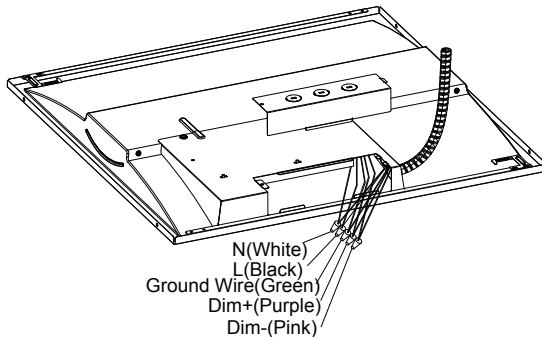
1. Unscrew the driver cover.



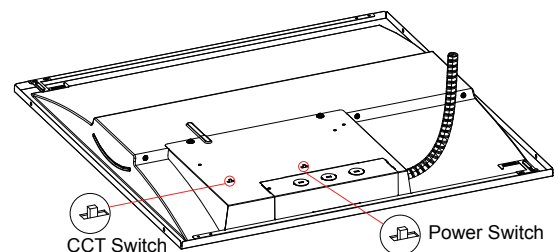
2. Connect the conduit to the driver box.



3. Connect other wires separately.

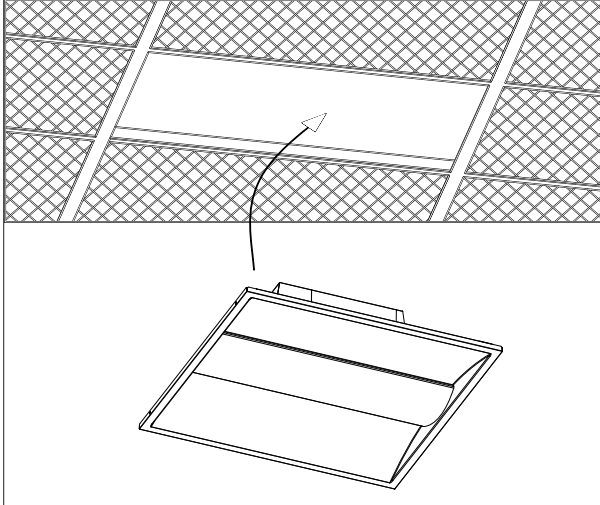


4. Put back the driver cover and fix it by screw.

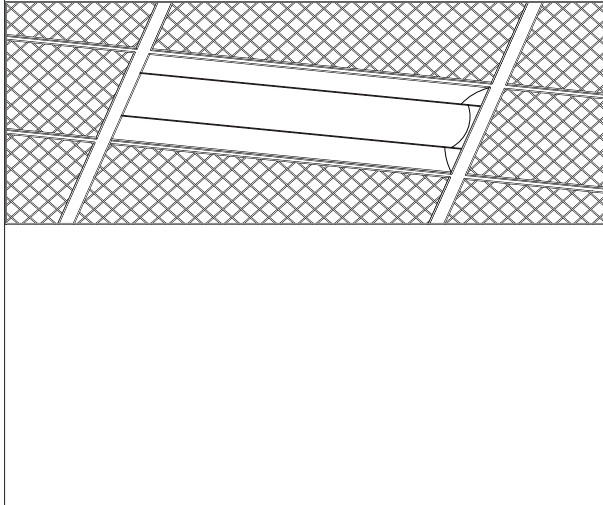


RECESSED INSTALLATION

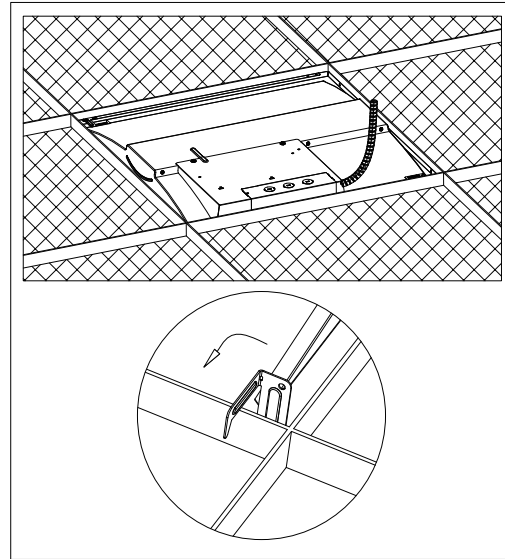
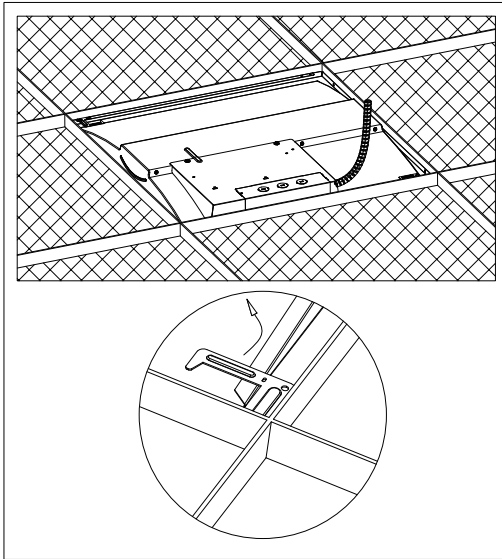
1. Replace existing lighting fixture from ceiling with LED Troffer.



2. Replace existing lighting fixture from ceiling with LED Troffer.



3. Use the protective brackets for the sake of safety.



Reference	QTY.	Remarks	Project:
			Location:
			Architect:
			Engineer:
			Contractor:
			Submitted by:
			Date:

ORTECH reserves the right to modify at any time, without notice, any or all of our product's features, designs, components and specifications to meet market changes.