

LED SLIM LIGHTS

SLIM4FL+FR-5CCT | SLIM6FL+FR-5CCT

HIGHLIGHTS

4", 6" Fire Rated Floating Gimbal Recessed LED - with Adjustable CCT

- Reinforced and heat resistant steel casting providing 2-hour fire rating
- Junction box with commercial grade driver included
- Easy installation (no additional box required)
- 5-color field selectable CCT - 2700K, 3000K, 3500K, 4000K, 5000K
- Tested & Certified to comply with UL 263-2011(R2022) & ASTM E119-20 & CAN/ULC-S101-14
- Rated for ceiling assemblies with up to 2 layers of drywall, each 5/8 inch, for a total of 1-1/4 inches

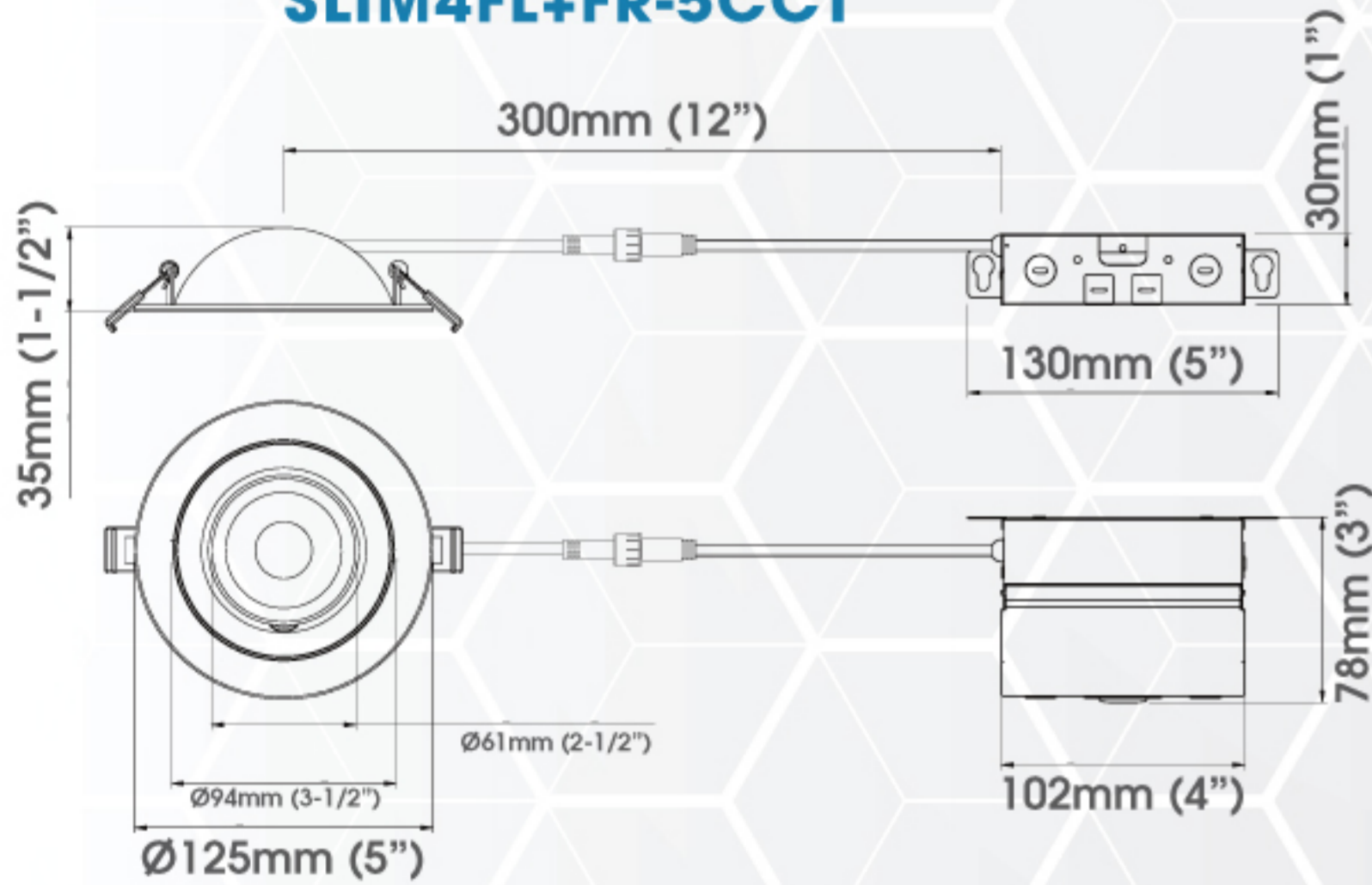


INSTALLATION

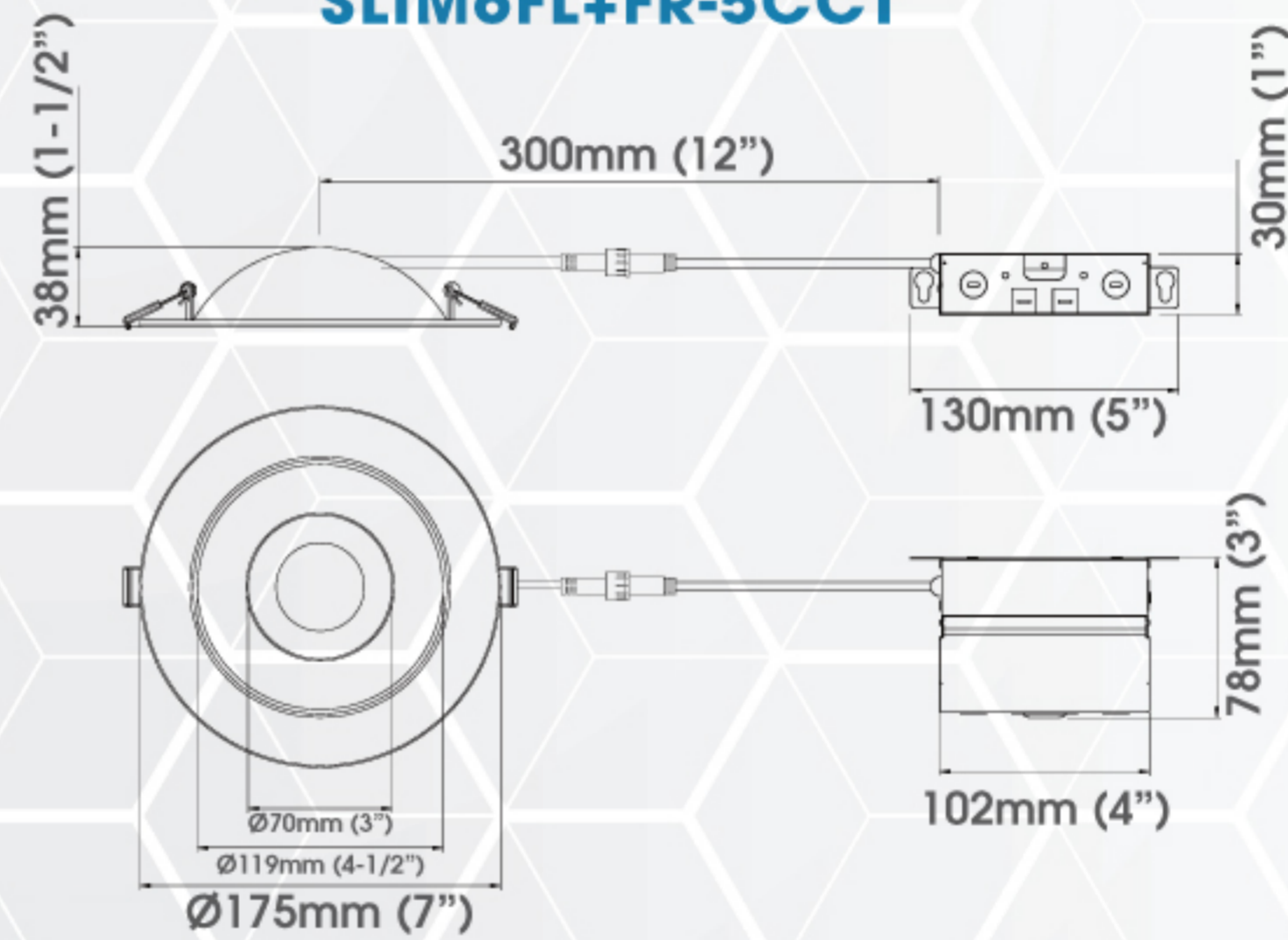


DIMENSIONS

SLIM4FL+FR-5CCT



SLIM6FL+FR-5CCT



SPECIFICATIONS

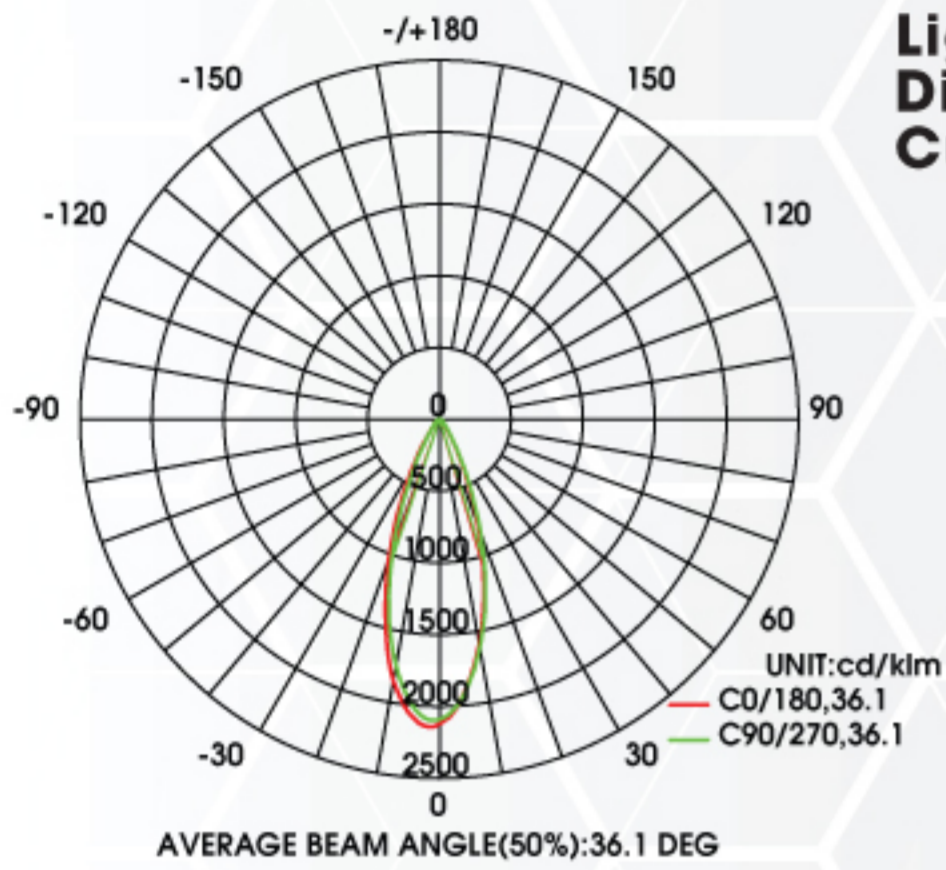
Model	SLIM4FL+FR-5CCT	SLIM6FL+FR-5CCT
Wattage	9W	15W
Voltage	AC120V, 60Hz	
Lumens	750lm	1000lm
Beam Angle	38°	
Lifetime	50000 hours	
Air Tight	Yes	
Rating	IC rated Damp locations	
Grade of Protection	IP44	
CRI Warranty	80Ra 5 Years	
Colour Temp.	2700K / 3000K / 3500K / 4000K / 5000K	
Dimming	Triac Dimming	
Operating Temp.	-20°C ~ +40°C	

LED SLIM LIGHTS

SLIM4FL+FR-5CCT | SLIM6FL+FR-5CCT

TESTING REPORT

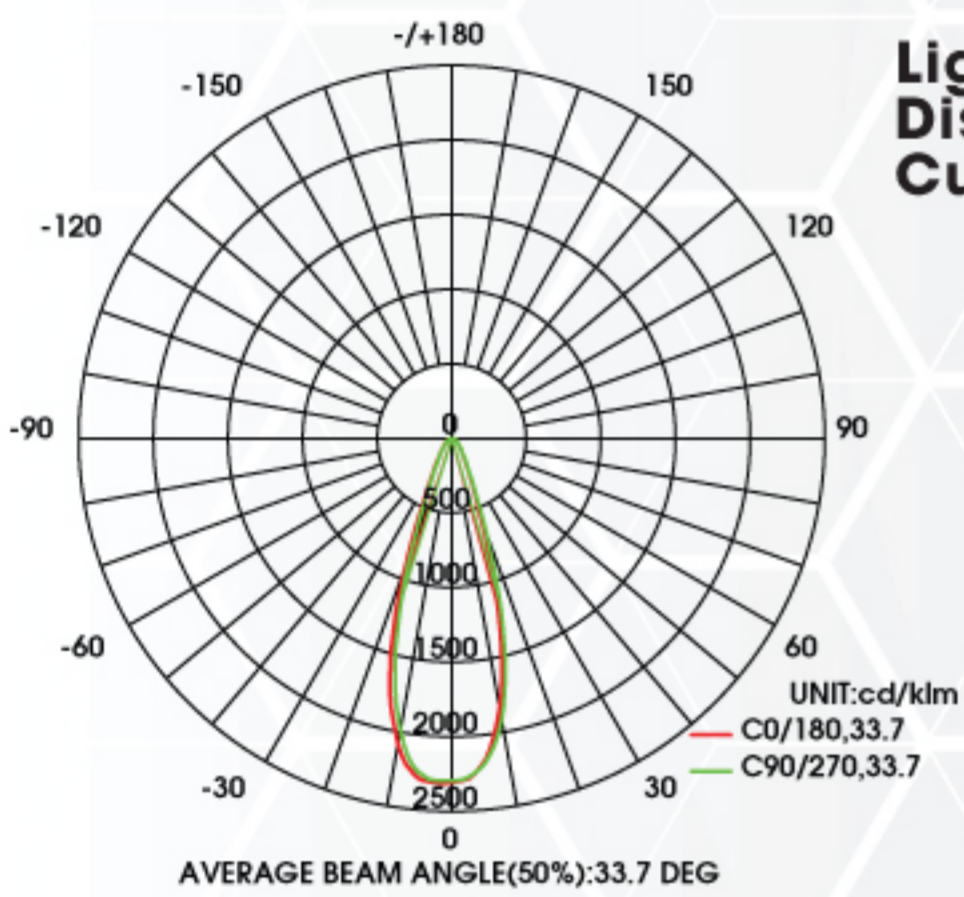
SLIM4FL+FR-5CCT



Height	Eavg, Errax	Angle: 35.87 deg	Diameter
1m	1086,16451x		64.73 CM
2m	271.4,411.11x		129.45 CM
3m	120.6,182.71x		194.18 CM
4m	67.85,102.81x		258.90 CM
5m	43.42,65.781x		323.63 CM
6m	30.15,45.681x		388.35 CM
7m	22.15,33.561x		453.08 CM
8m	16.96,25.701x		517.80 CM
9m	13.40,20.301x		582.53 CM
10m	10.86,16.451x		647.26 CM

Polar Curves Wide Distribution

SLIM6FL+FR-5CCT



Height	Eavg, Errax	Angle: 33.67 deg	Diameter
1m	1584,22341x		60.51 CM
2m	396.0,557.61x		121.02 CM
3m	176.0,248.31x		181.53 CM
4m	98.99,139.71x		242.03 CM
5m	63.35,89.381x		302.54 CM
6m	43.99,62.071x		363.05 CM
7m	32.32,45.601x		423.56 CM
8m	24.75,34.911x		484.07 CM
9m	19.55,27.591x		544.58 CM
10m	15.84,22.341x		605.08 CM

Polar Curves Wide Distribution



ACCESSORIES (SOLD SEPARATELY)

EXTENSION CABLES



CORD B24
CORD B120

MOUNTING PLATES



PLATE 26-4A
PLATE 26-6



PLATE 4A-HB
PLATE 6-HB



Reference	QTY.	Remarks	Project:
			Location:
			Architect:
			Engineer:
			Contractor:
			Submitted by:
			Date:

ORTECH reserves the right to modify at any time, without notice, any or all of our product's features, designs, components and specifications to meet market changes.