

LED LINEAR HIGH BAYS

2HB165-3CCT+W+S | 4HB250-3CCT+W+S

HIGHLIGHTS

Commercial grade, 2 Feet & 4 Feet Linear High Bays With Sensor

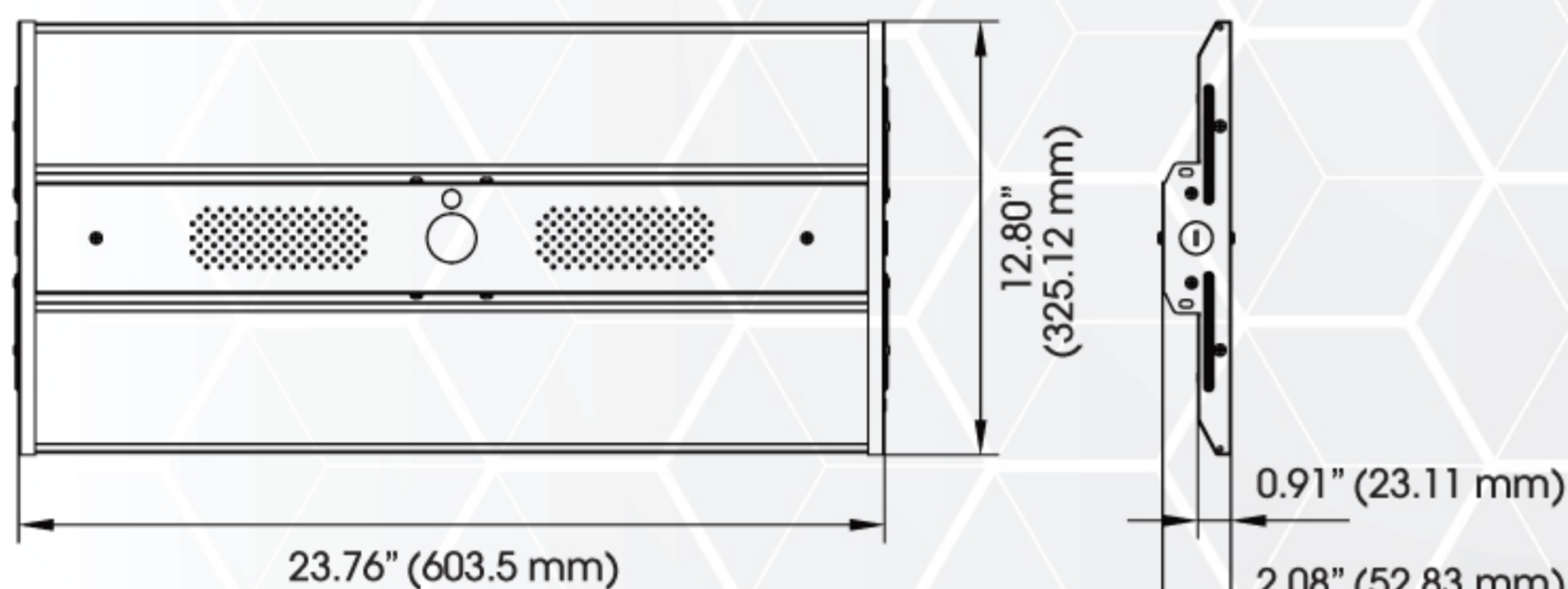
- Power and CCT can be adjusted in three levels
- Suitable for dry location
- Plug & Play sensor compatible (sold separately)
- High quality driver; 1-10V dimming; Flicker Free
- PF>0.90, driver efficiency>90%; THD<20%
- 2x1 meter chains included in packaging
- Five years warranty



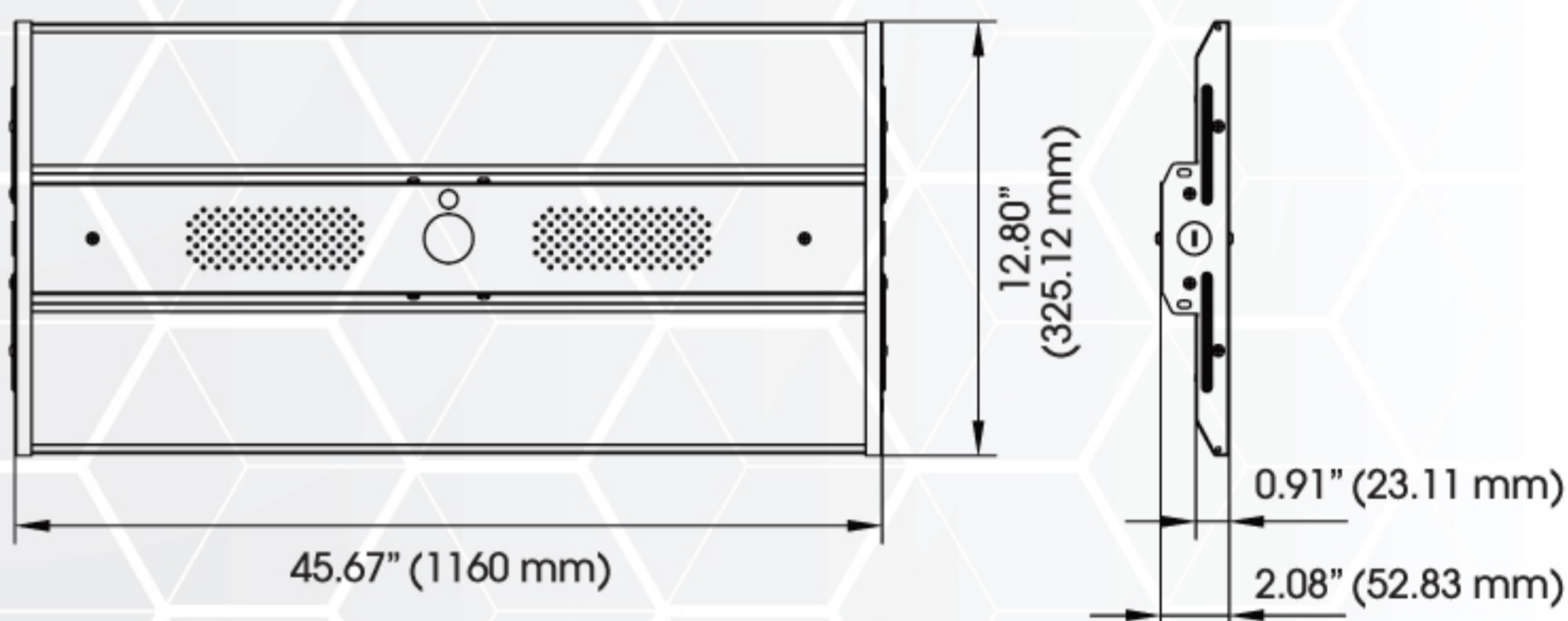
DIMENSIONS



2HB165-3CCT+W+S



4HB250-3CCT+W+S



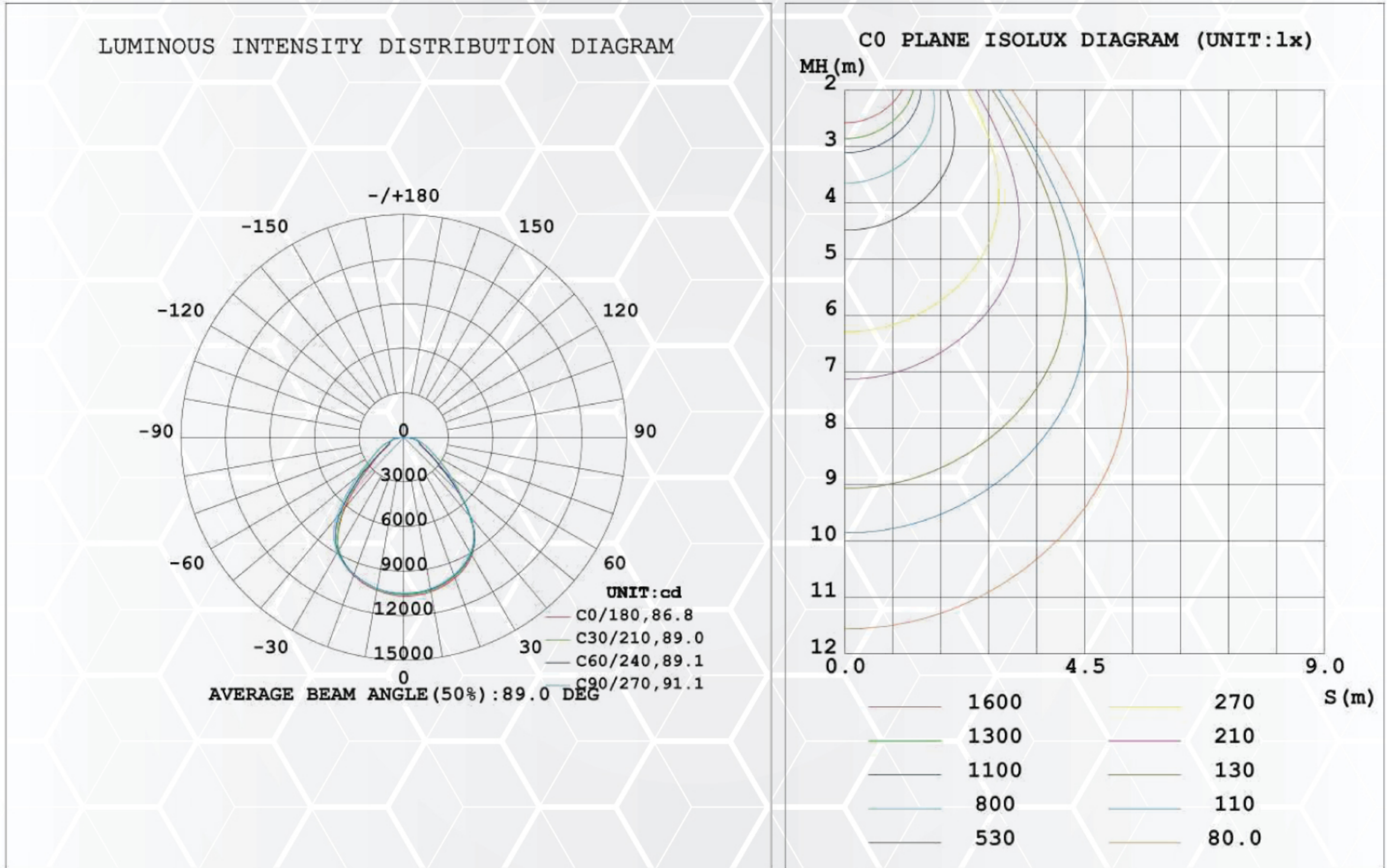
SPECIFICATIONS

Model	2HB165-3CCT+W+S	4HB250-3CCT+W+S
Wattage	90W/120W/165W	200W/225W/250W
Voltage	AC120-347V, 50-60Hz	
Lumens	135 LM/W	
Beam Angle	90°	
Lifetime Warranty	50000 hours 5 Years	
Chains Included	2 pieces, 1 meter in length	
Rating	IC rated Dry location	
Grade of Protection	IP20	
CRI	>70	
Colour Temp.	3500K / 4000K / 5000K	
Dimming	Yes(only 0-10v dimming available)	
Application	Warehouses / Gymnasiums / Industrial spaces, etc.	
Operating Temp.	-40°C ~ +45°C	
Case Quantities	4	2

LED LINEAR HIGH BAYS

2HB165-3CCT+W+S | 4HB250-3CCT+W+S

TESTING REPORT



ACCESSORIES (SOLD SEPARATELY)



Mounting Box



PNP-SENSOR



PNP-REMOTE

Reference	QTY.	Remarks	Project:
			Location:
			Architect:
			Engineer:
			Contractor:
			Submitted by:
			Date:

ORTECH reserves the right to modify at any time, without notice, any or all of our product's features, designs, components and specifications to meet market changes.