

LED AREA LIGHTS

SB150-3CCT+W | SB300-3CCT+W

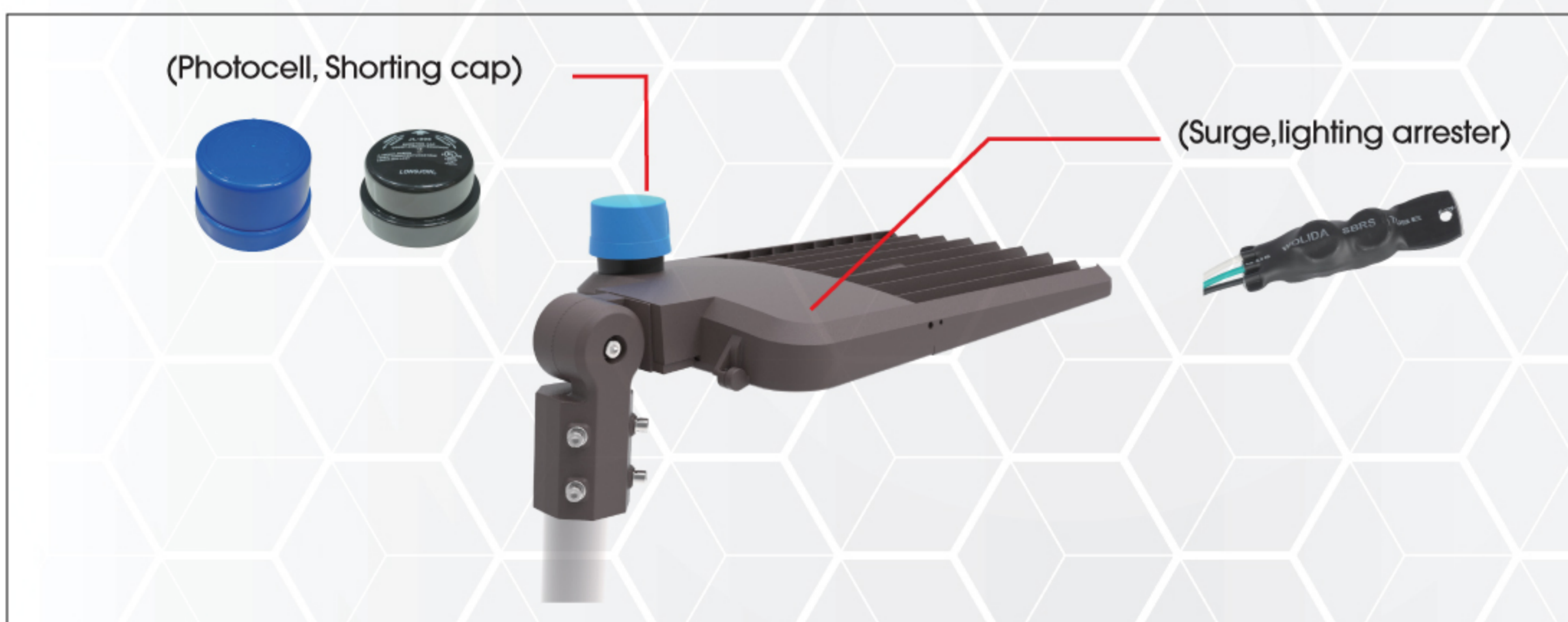
HIGHLIGHTS

Commercial grade LED Shoe Boxes with socket base

- High efficiency LED Driver, AC120-347V, Surge protection: 6KV
- Lumileds LED high luminous efficiency and long life
- Cast aluminium design, better cooling and easy replacement, light quality, LEDTj<1850F
- Excellent optical design, greatly improve the light utilization and evenness
- Special designed rotatable lens, suitable for more applications
- Plug & Play style photocell sensor or motion sensor options available separately
- Packaging includes 1pc Shorting Cap



DIMENSIONS



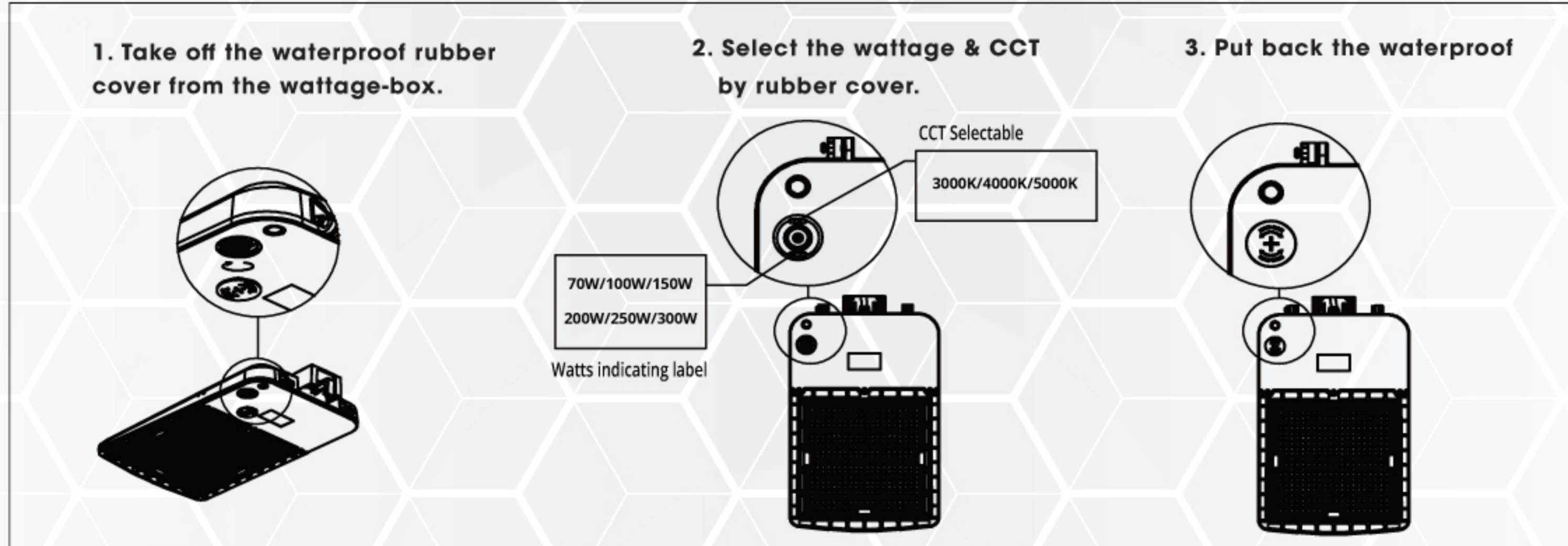
SPECIFICATIONS

Model	SB150-3CCT+W	SB300-3CCT+W
Wattage	70W/100W/150W	200W/250W/300W
Voltage	AC120V, 60Hz	
Lighting Efficiency	130LM/W	
Beam Angle	TYPE III	
Lifetime	50000 hours	
Air Tight	Yes	
Location	Wet locations	
Grade of Protection	IP65	
CRI	80	
Colour Temp.	3000K/4000K/5000K	
Dimming	Yes(only 0-10v dimming available)	
Application	Parking Lots, Streets, Stadiums, Parks, Warehouses & Industrial Spaces	
Operating Temp.	-20°C ~ +40°C	
Case Quantities	1	

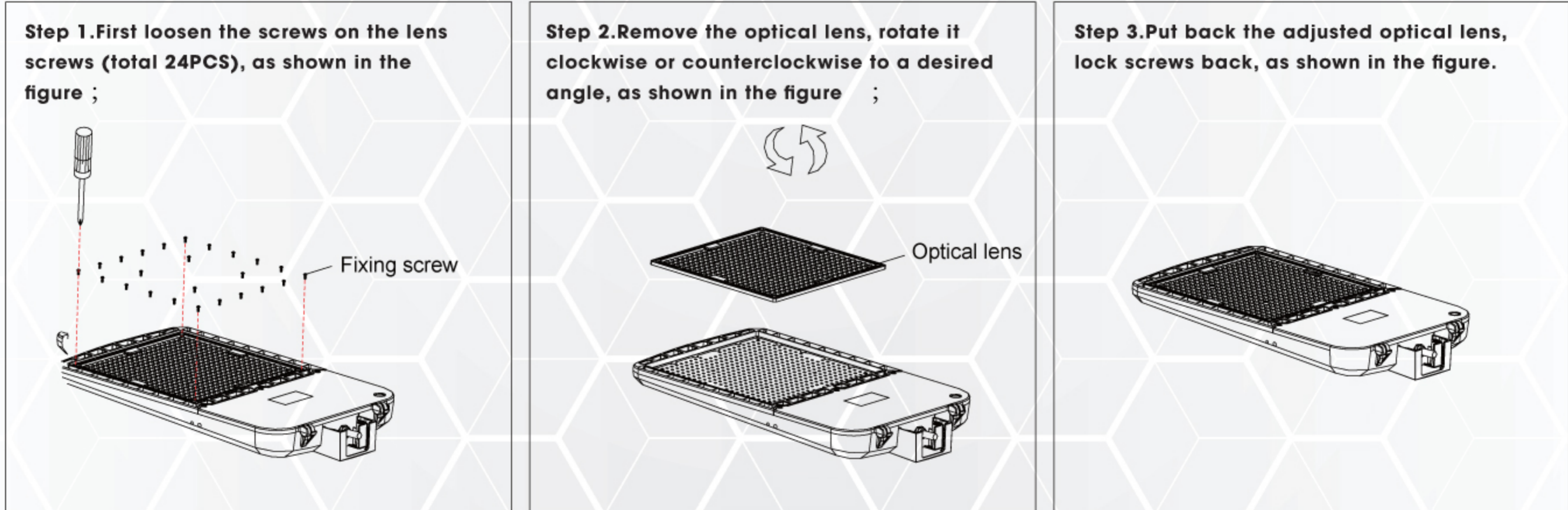
LED AREA LIGHTS

SB150-3CCT+W | SB300-3CCT+W

WATTS & CCT SELECTABLE

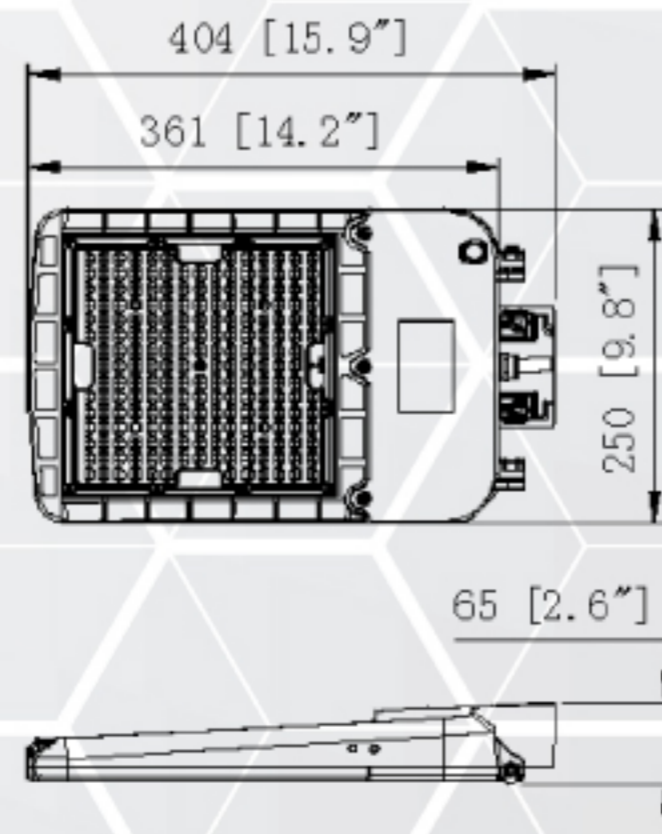


OPERATION INSTRUCTION FOR ROTATING OPTICAL LENS

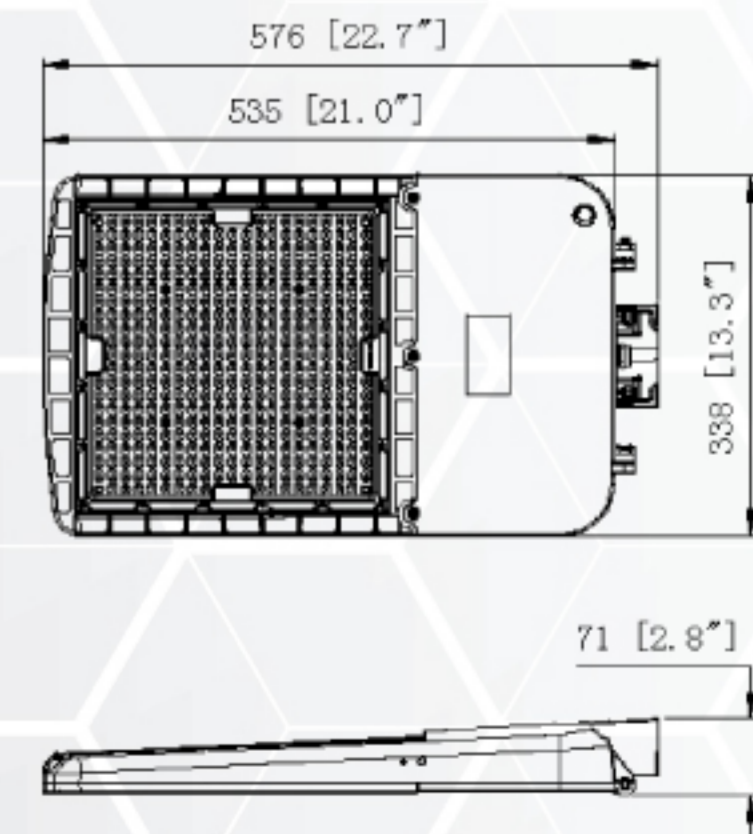


DIMENSIONS

70W/100W/150W



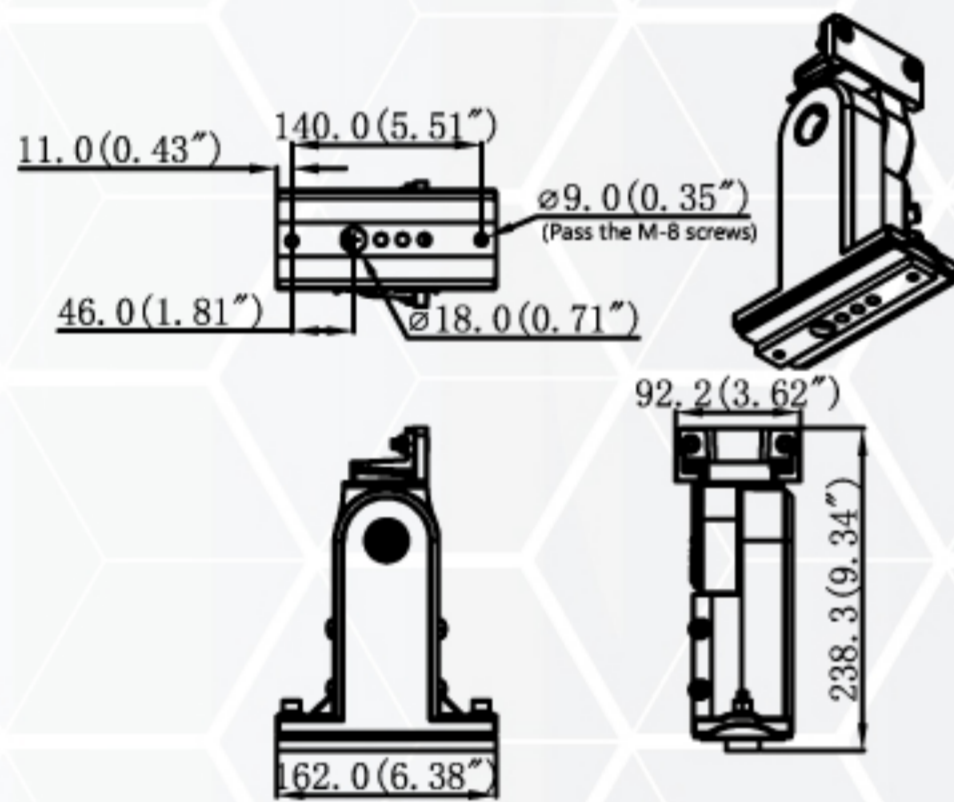
200W/240W/300W



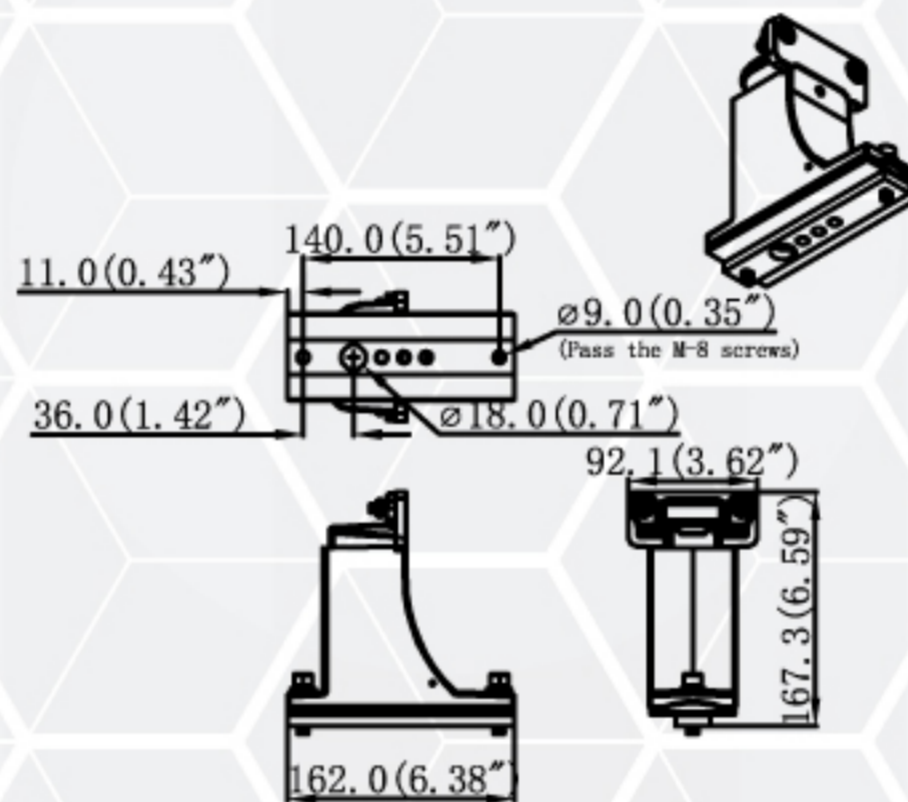
LED AREA LIGHTS

SB150-3CCT+W | SB300-3CCT+W

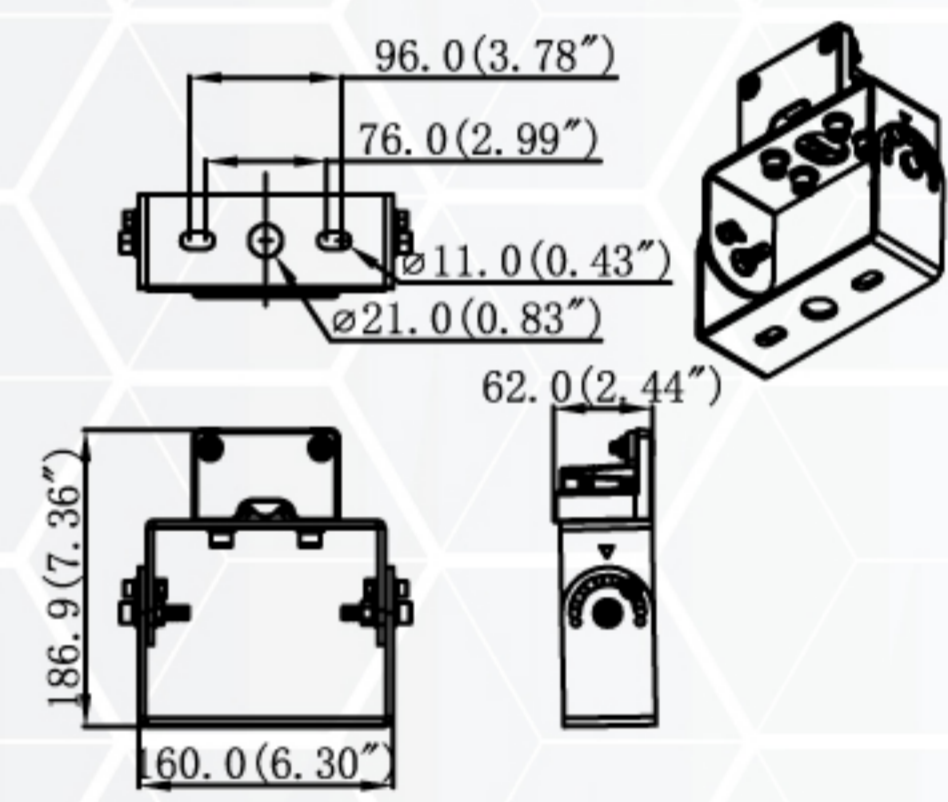
ACCESSORIES (SOLD SEPARATELY)



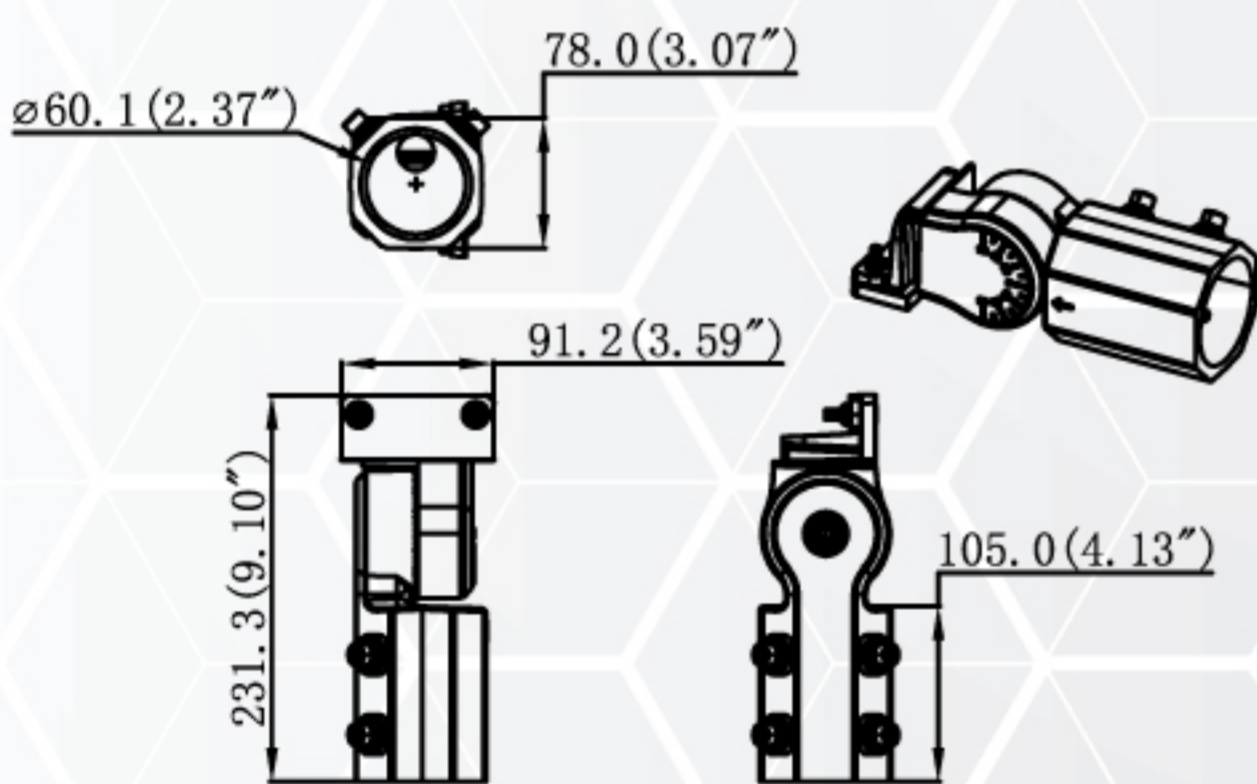
SB-POLE-M1
SB-POLE MOUNT*



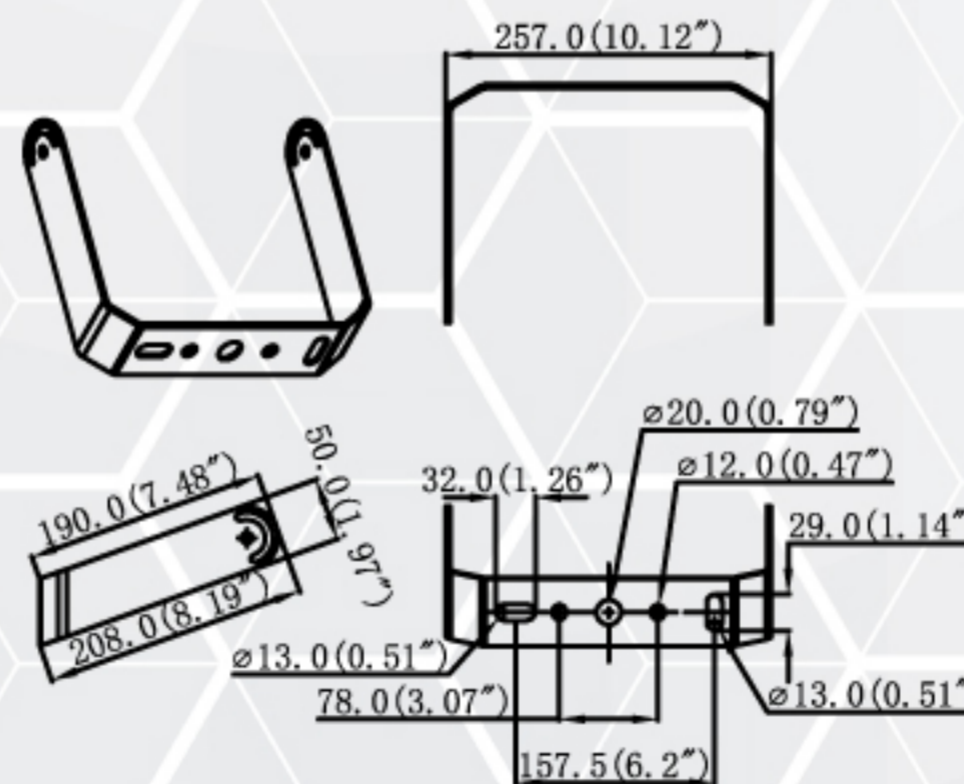
SB-POLE-M2
SB-POLE MOUNT-1*



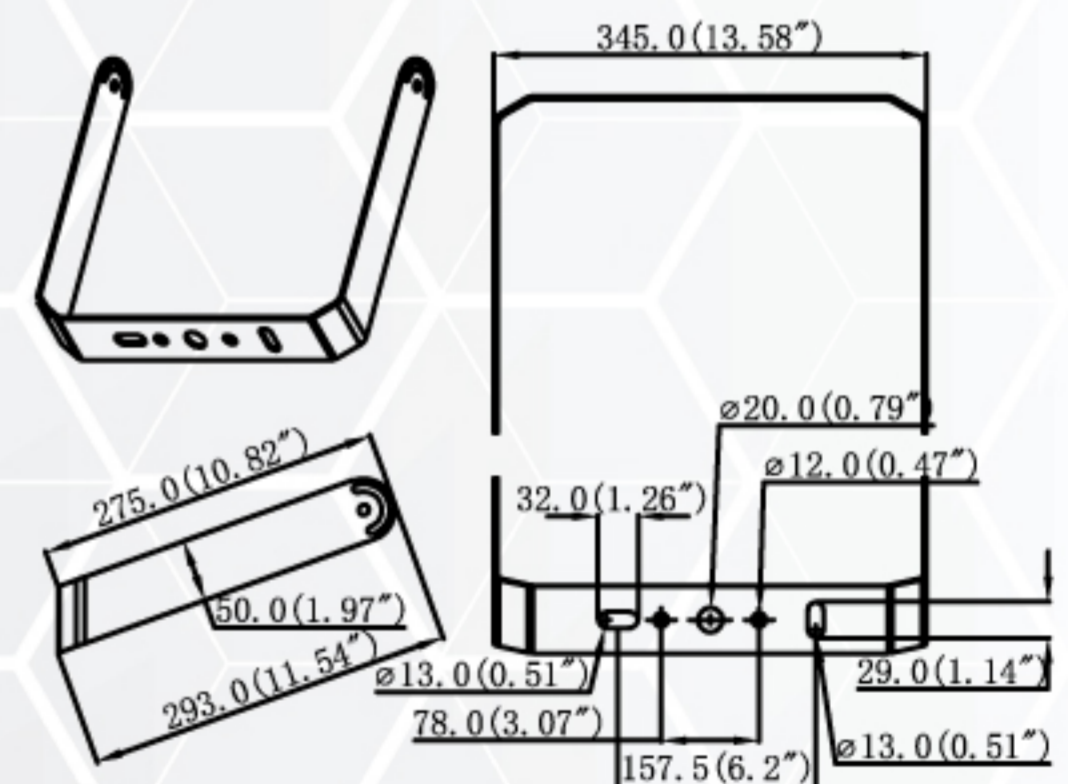
SB-TRUNNION-1
SB-TRUNNION*



SB-SLIP FITTER



SB-YOKE-1



SB-YOKE-2

Reference	QTY.	Remarks	Project:
			Location:
			Architect:
			Engineer:
			Contractor:
			Submitted by:
			Date:

ORTECH reserves the right to modify at any time, without notice, any or all of our product's features, designs, components and specifications to meet market changes.

*old product codes