

MODEL PLATE 66 PP



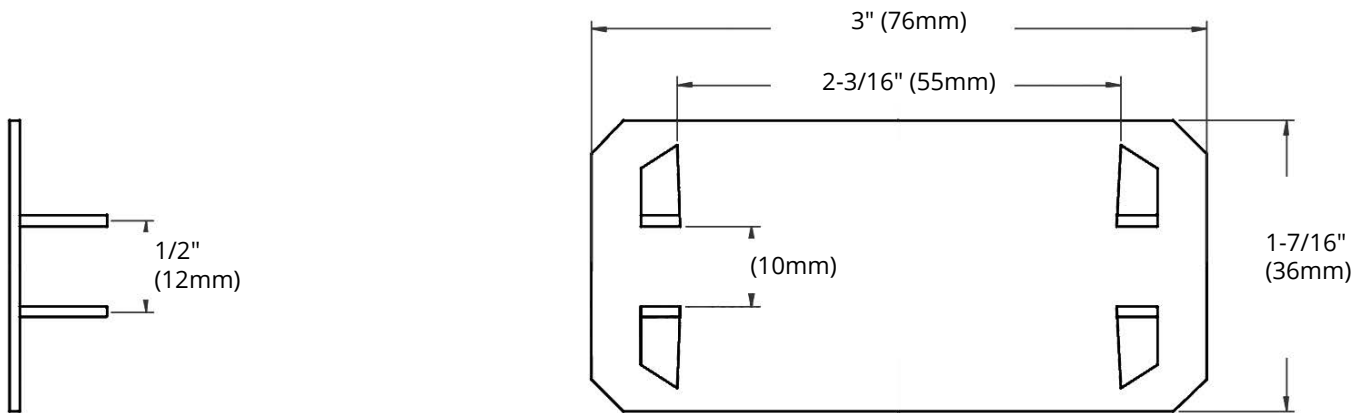
HIGHLIGHTS

- 1-3/8" x 3"
- Cable protection plate
- Protector plate for wood stud

SPECIFICATIONS

Model	PLATE 66PP
Size	1-3/8" x 3"
Material	Galvanized steel
Knockouts	None
Case Quantities	400

DIMENSIONS



Reference	QTY.	Remarks	Project:
			Location:
			Architect:
			Engineer:
			Contractor:
			Submitted by:
			Date:

ORTECH reserves the right to modify at any time, without notice, any or all of our product's features, designs, components and specifications to meet market changes.