

MODEL BOX BC-2020



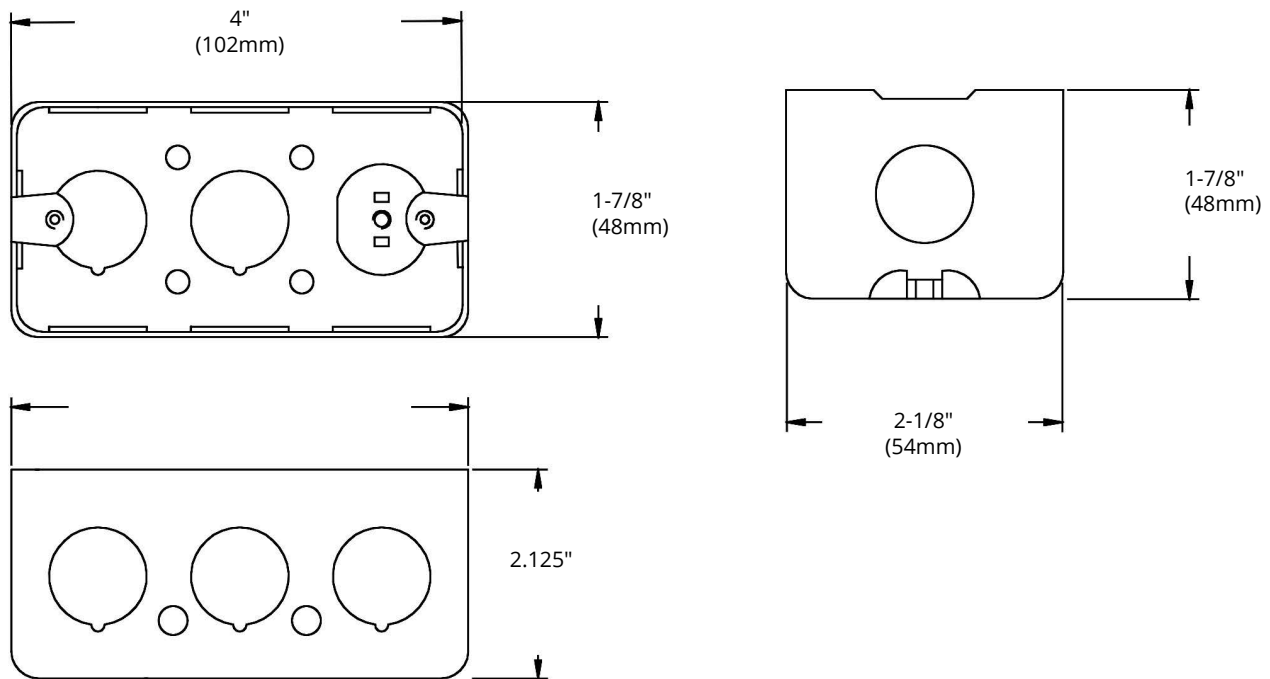
HIGHLIGHTS

- Size: 4" x 2-1/8" 1-7/8"
- Made of galvanized steel
- With knockouts for surface mounting
- 4" rectangle single gang steel utility box
- Case Quantities: 50

SPECIFICATIONS

Model	BOX BC-2020
Application	Surface mounting
Material	Galvanized Steel
Box Type	Single gang utility box
Construction Type	Drawn
Cover Included	None
Knockout Options	Side: 8-1/2" Bottom: 2-1/2"

DIMENSIONS



Reference	QTY.	Remarks	Project:
			Location:
			Architect:
			Engineer:
			Contractor:
			Submitted by:
			Date:

ORTECH reserves the right to modify at any time, without notice, any or all of our product's features, designs, components and specifications to meet market changes.