

## MODEL BOX 1104-LA



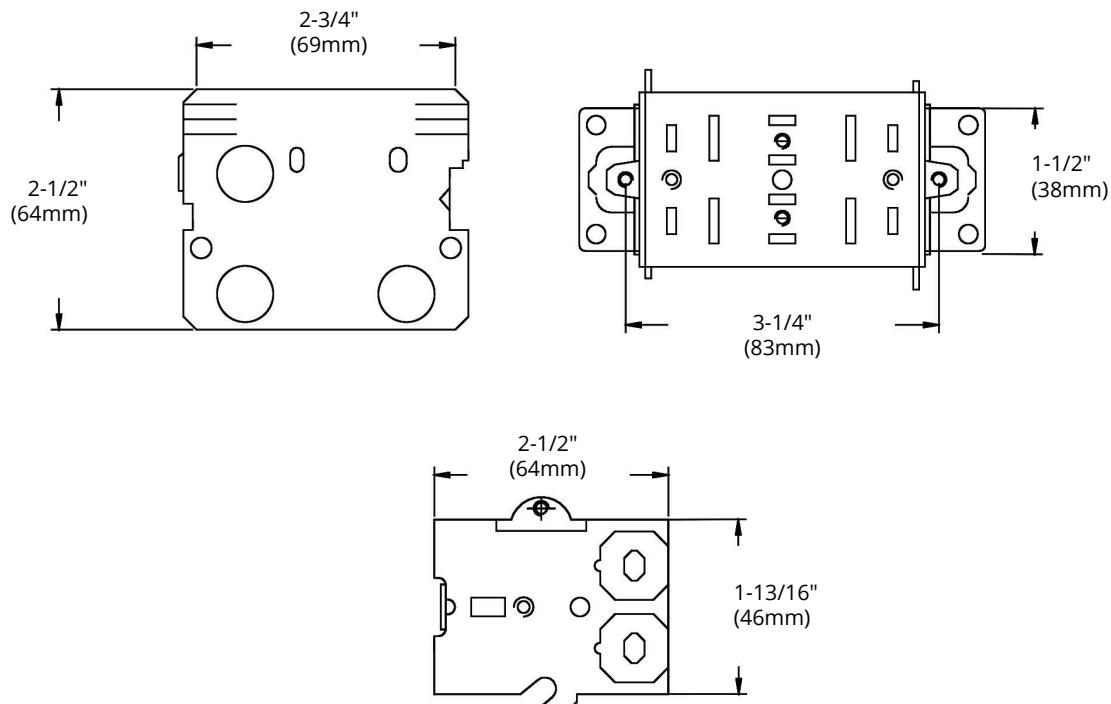
### HIGHLIGHTS

- Size: 3" x 2" x 2-1/2"
- Made of galvanized steel
- Single gangable device box with flush ears
- For armoured cable
- Case Quantities: 50

### SPECIFICATIONS

Model	<b>BOX 1104-LA</b>
Application	New work
Material	Galvanized Steel
Box Type	Gangable device box
Construction Type	Assemble
Cover Included	None
Knockout Options	None

### DIMENSIONS



Reference	QTY.	Remarks	Project:
			Location:
			Architect:
			Engineer:
			Contractor:
			Submitted by:
			Date:

ORTECH reserves the right to modify at any time, without notice, any or all of our product's features, designs, components and specifications to meet market changes.