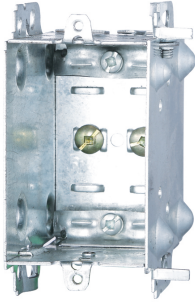


MODEL BOX 1104-LH



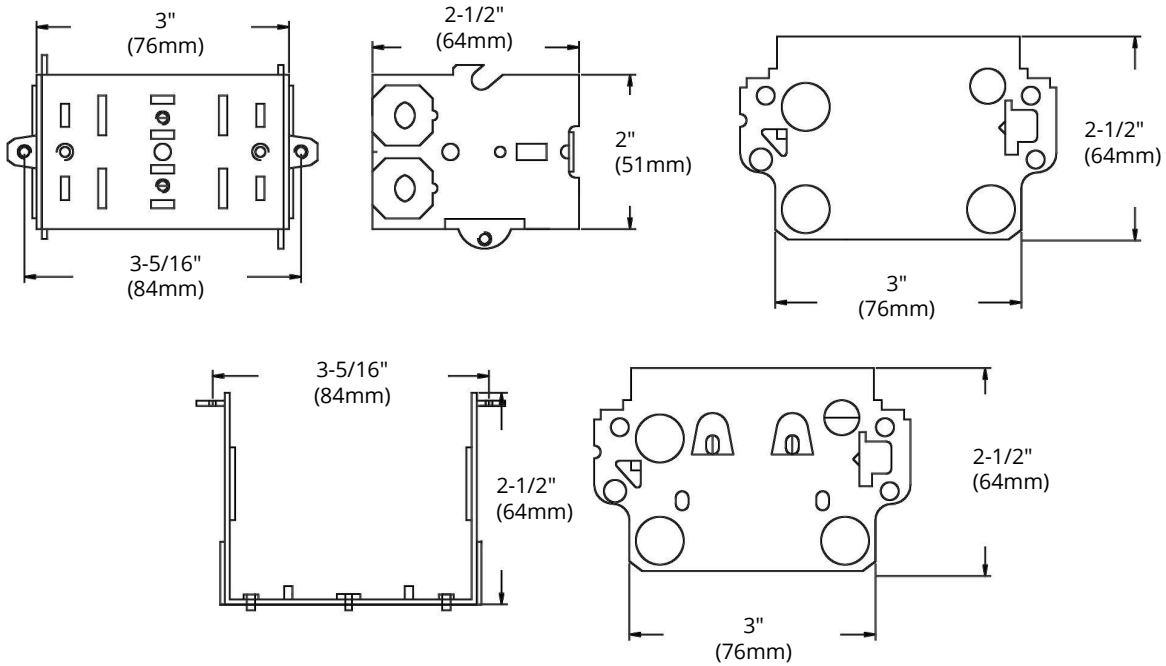
HIGHLIGHTS

- 3" x 2" x 2-1/2"
- Gangable device box with cable clamps

SPECIFICATIONS

Model	BOX 1104-LH
Application	New work
Material	Galvanized steel
Box Type	Gangable device box
Construction Type	Assemble
Cover Included	No
Knockout Options	No
Case Quantities	50

DIMENSIONS



Reference	QTY.	Remarks	Project:
			Location:
			Architect:
			Engineer:
			Contractor:
			Submitted by:
			Date:

ORTECH reserves the right to modify at any time, without notice, any or all of our product's features, designs, components and specifications to meet market changes.