

## MODEL PLATE 52-C6



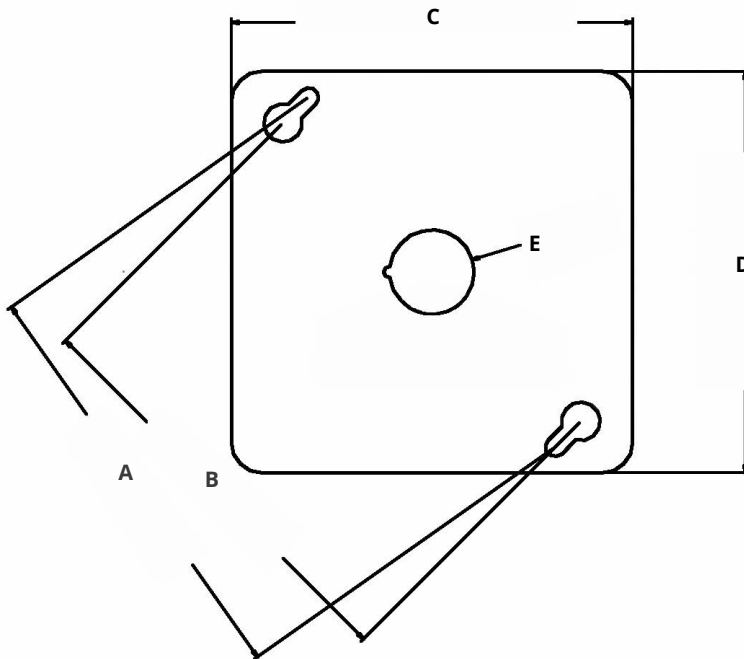
### HIGHLIGHTS

- 4" x 4"
- Formerly LD-4K
- 1/2" knockout cover for boxes
- Square flat steel cover with 1/2" KO (KO size also can be 3/4")

### SPECIFICATIONS

Model	<b>PLATE 52-C6</b>
Size	4" x 4"
Material	Galvanized steel
Knockouts	(1) 1/2"
Case Quantities	200

### DIMENSIONS



Model	<b>PLATE 52-C6</b>
A	4-3/8" (111mm)
B	4-5/16" (110mm)
C	4-1/8" (105mm)
D	4-1/8" (105mm)
E	Ø 7/8" (22mm)

Reference	QTY.	Remarks	Project:
			Location:
			Architect:
			Engineer:
			Contractor:
			Submitted by:
			Date:

ORTECH reserves the right to modify at any time, without notice, any or all of our product's features, designs, components and specifications to meet market changes.