

MODEL PLATE 52C13



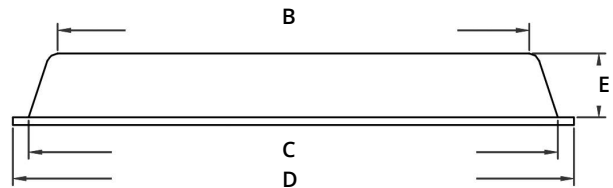
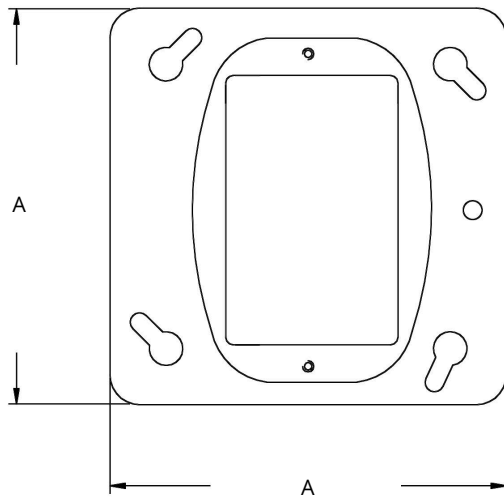
HIGHLIGHTS

- 4" x 4" x 1/2"
- One gang device cover
- Square 1/2" raised one gang device ring

SPECIFICATIONS

Model	PLATE 52C13
Size	4" x 4" x 1/2"
Material	Galvanized steel
Knockouts	None
Case Quantities	200

DIMENSIONS



Model	PLATE 52C13
A	4" (102mm)
B	3-1/2" (89mm)
C	3-15/16" (100mm)
D	4-3/16" (106mm)
E	1/2" (13mm)

Reference	QTY.	Remarks	Project:
			Location:
			Architect:
			Engineer:
			Contractor:
			Submitted by:
			Date:

ORTECH reserves the right to modify at any time, without notice, any or all of our product's features, designs, components and specifications to meet market changes.