

MODEL BOX 777LRB



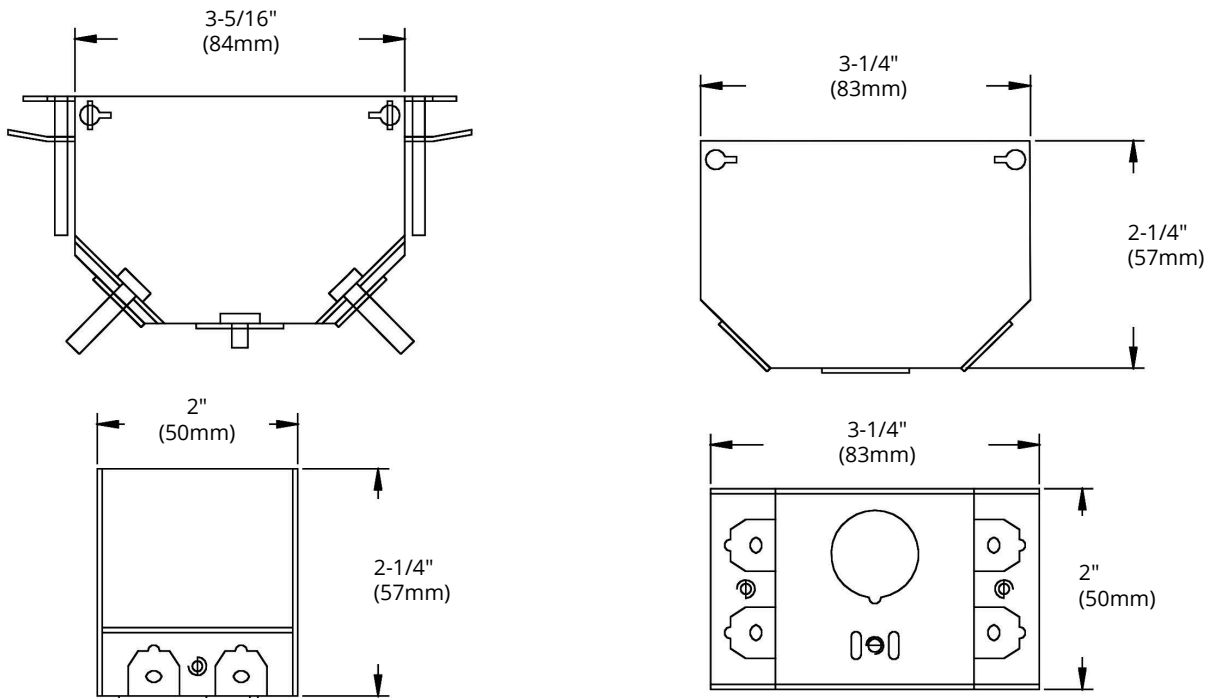
HIGHLIGHTS

- Easy box
- Size: 3" x 2" x 2-1/4"
- Made of galvanized steel
- Max. wall thickness: 1-1/8"
- Pivoting ends for rework installation
- Case Quantities: 50

SPECIFICATIONS

Model	777LRB
Application	Rework installation
Material	Galvanized Steel
Box Type	Easy box
Construction Type	Assemble
Cover Included	None
Knockout Options	Bottom: 1-1/2"

DIMENSIONS



Reference	QTY.	Remarks	Project:
			Location:
			Architect:
			Engineer:
			Contractor:
			Submitted by:
			Date:

ORTECH reserves the right to modify at any time, without notice, any or all of our product's features, designs, components and specifications to meet market changes.