

MODEL FAP-36"x24"



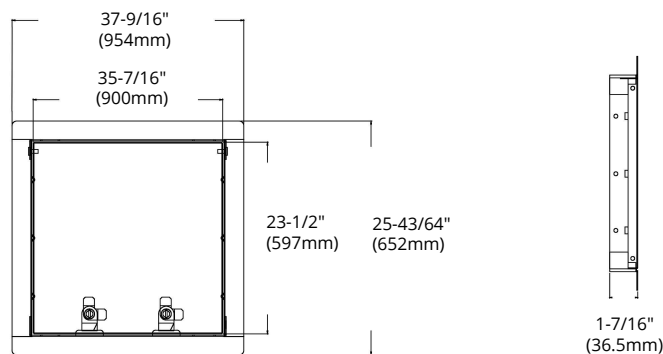
HIGHLIGHTS

- 36 inches by 24 inches Flush Access Panel with welded frame and strong durable bended door lid
- White powder coated finish or coating in special colours provides high durability and corrosion protection
- With its concealed hinge, the door leaf can be opened from either left or right
- Good value for all plumbing, electrical, mechanical applications
- Easy installation — no further painting required
- Screwdriver operated cam latch
- Case Quantities: 2

SPECIFICATIONS

| | |
|--------------|---|
| Model | FAP-36"x24" |
| Construction | Steel welded, with white powder coated finish or coating in special colours |
| Hinge | Concealed — makes door leaf opening from either left or right possible |
| Frame | Welded |
| Door Lid | Bended — contributes to strength and durability |
| Cam Latch | Screwdriver operated |
| Applications | All Plumbing / Electrical / Mechanical applications |

DIMENSIONS



| Reference | QTY. | Remarks | Project: |
|-----------|------|---------|---------------|
| | | | Location: |
| | | | Architect: |
| | | | Engineer: |
| | | | Contractor: |
| | | | Submitted by: |
| | | | Date: |